

Service Parts Manual For
ELECTRIC GOLF CAR MODEL EG2028K SERIES
EG2028K 高尔夫系列车备件目录



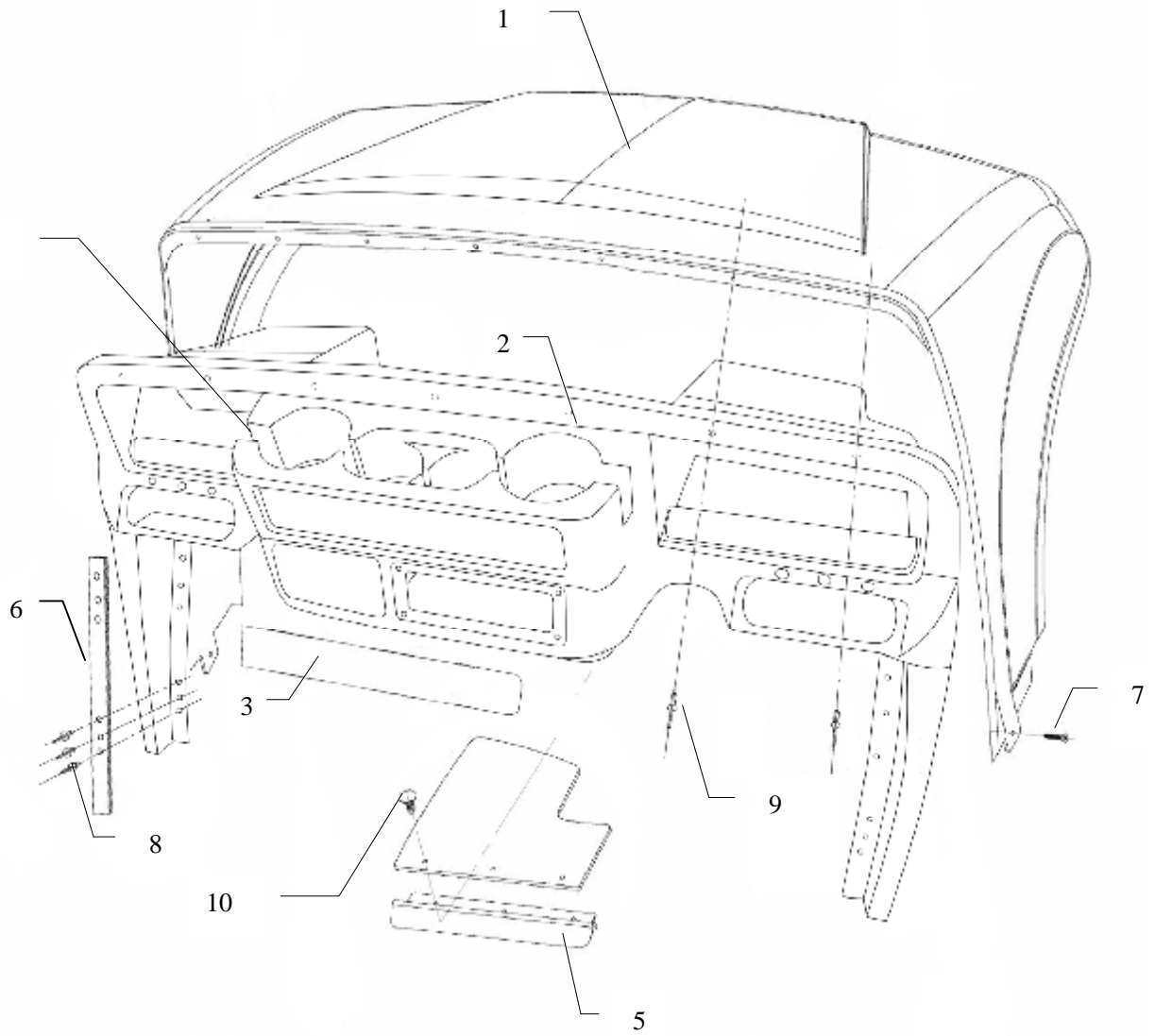
苏州益高电动车辆制造有限公司
SUZHOU EAGLE ELECTRIC VEHICLE MANUFACTURING CO., LTD

Index

| | |
|---|----|
| 1-1 Front Cover(前罩), Instrument Panel(仪表板) | 4 |
| 1-2 Windshield (挡风玻璃) | 6 |
| Split windshield (折叠挡风玻璃) | 6 |
| One-piece Windshield(非折叠挡风玻璃) | 8 |
| 1-3 CANOPY KIT (顶篷) | 10 |
| EG2028K Canopy Kit (EG2028K 顶棚) | 10 |
| EG2028KSF&EG2028KSZ CANOPY KIT (EG2028KSF/KSZ 顶棚) | 12 |
| EG2028H CANOPY KIT (EG2028H 顶棚) | 15 |
| EG2048K CANOPY KIT (EG2048K 顶棚) | 17 |
| EG2048H CANOPY KIT (EG2048H 顶棚) | 19 |
| EG2048HCX CANOPY KIT (EG2048HCX 顶棚) | 21 |
| EG2048KSF & EG2048KSZ CANOPY KIT (EG2048KSF&EG2048KSZ 顶棚) | 23 |
| EG2068K CANOPY KIT (EG2068K 顶棚) | 26 |
| 1-4 Rear Cover (后车身) | 28 |
| 1-5 Backrest(靠背)、Seat(座椅) | 32 |
| 1-6 Rear Kits | 35 |
| Sweater basket(可拆卸行李架)、Bag strap(球包带) | 35 |
| EG2028KSF&EG2048KSF Jumper Seat(非折叠座椅) | 37 |
| Flip-flop Seat of EG2028KSZ&EG2048KSZ(折叠座椅) | 40 |
| Rear Short Cargo Box of EG2028H and EG2048H (EG2028H&EG2048H 后货箱) | 43 |
| Rear Long Cargo Box of EG2048HCX(EG2048HCX 长货箱) | 45 |
| First Row of Seat(前排座椅) | 47 |
| 1-7 Front Bumper(前保险杠) | 49 |
| 1-8 Rear View Mirror (后视镜) | 50 |
| 2-1 Frame Assembly(车架总成)、Floor(地板)、Side Trim(侧护板) | 51 |
| 3-1 Braking Pedal & Bracket Assembly(制动踏板及支架总成) | 55 |
| 3-2 Rear Brake Assembly(后轮制动器) | 60 |
| 4-1 Front Axle Assembly(前桥总成) | 62 |
| 4-2 Front Hub(前轮毂) | 64 |
| 5-1 Rear Axle(后桥) | 66 |
| 5-2 Half Axle Assembly(半轴总成) | 68 |
| 5-3 Retarder Assembly(主减速器总成) | 69 |
| 5-4 Differential(差速器) | 71 |
| 6-1 Front Suspension(前悬架总成) | 73 |
| 6-2 Rear Suspension(后悬架总成) | 75 |
| 6-3 Front Shock Absorber(前减震器) | 77 |
| 6-4 Rear Shock Absorber(后减震器) | 79 |
| 7-1 Steering Wheel Assembly(方向盘总成) | 81 |
| 7-2 Tie Rod(横拉杆) | 82 |
| 7-3 Steering Shaft Assembly(转向轴总成) | 83 |
| 7-4 Steering Gear Assembly(转向器总成) | 85 |
| 8-1 Wheel& Tyre (车轮) | 87 |
| Steel Rim & Tyre (钢圈及轮胎) | 87 |
| 10' Aluminum Wheel&Tyre(10'铝圈车轮) | 89 |

| | |
|--|-----|
| 9-1 Motor (电机) | 91 |
| 36V/3KW ADC Motor Assembly(36V/3KW ADC 电机总成) | 91 |
| 48V/3KW Motor Assembly (48V 3 千瓦电机总成) | 93 |
| 48V/3.8KW Motor (48V/3.8KW 电机) | 95 |
| 48V/5.3 KW Motor (48V/5.3 KW 电机) | 97 |
| 48V/3KW AC Motor (48V/3KW 交流电机) | 97 |
| 48V/4KW AC Motor (48V/4KW 交流电机) | 97 |
| 9-2 Controller (电控) | 98 |
| Electronic Controller Assembly 1243 (1243 型号 电控总成) | 98 |
| Electronic Controller Assembly 1266 (1266 电控总成) | 99 |
| Electronic Controller Assembly 1268 (1268 电控总成) | 101 |
| Electronic Controller Assembly 1234 (1234 电控总成) | 104 |
| Electronic Controller Assembly 1236 (1236 电控总成) | 105 |
| 9-3 Battery&Battery cable (电池及连线) | 107 |
| 6x6V battery setup (6X6V 电池配置) | 107 |
| 6X8V Battery Setup (6X8V 电池配置) | 109 |
| 8X6V Battery Setup (8X6V 电池配置) | 111 |
| 10-1 Harness (电线束) | 113 |
| 10-2 Instrument Panel, Start Key (仪表面板、启动开关) | 116 |
| 10-3 Combination switch, Loud speaker, Backup buzzer, Electronic flasher, Auxiliary relay and Fuse box (组合开关、喇叭、倒车蜂鸣器、电子闪光器、辅助继电器和保险盒) | 118 |
| 10-4 Charger (充电器) | 120 |
| 11 Lighting System (照明系统) | 122 |
| 12-1 Accelerator Assembly (加速器总成) | 124 |
| 12-2 Accelerator Pedal Assembly (加速踏板总成) | 126 |
| 12-3 DC converter (DC 转换器) | 128 |
| Accessories (Option) | 130 |

1-1 Front Cover(前罩), Instrument Panel(仪表板)

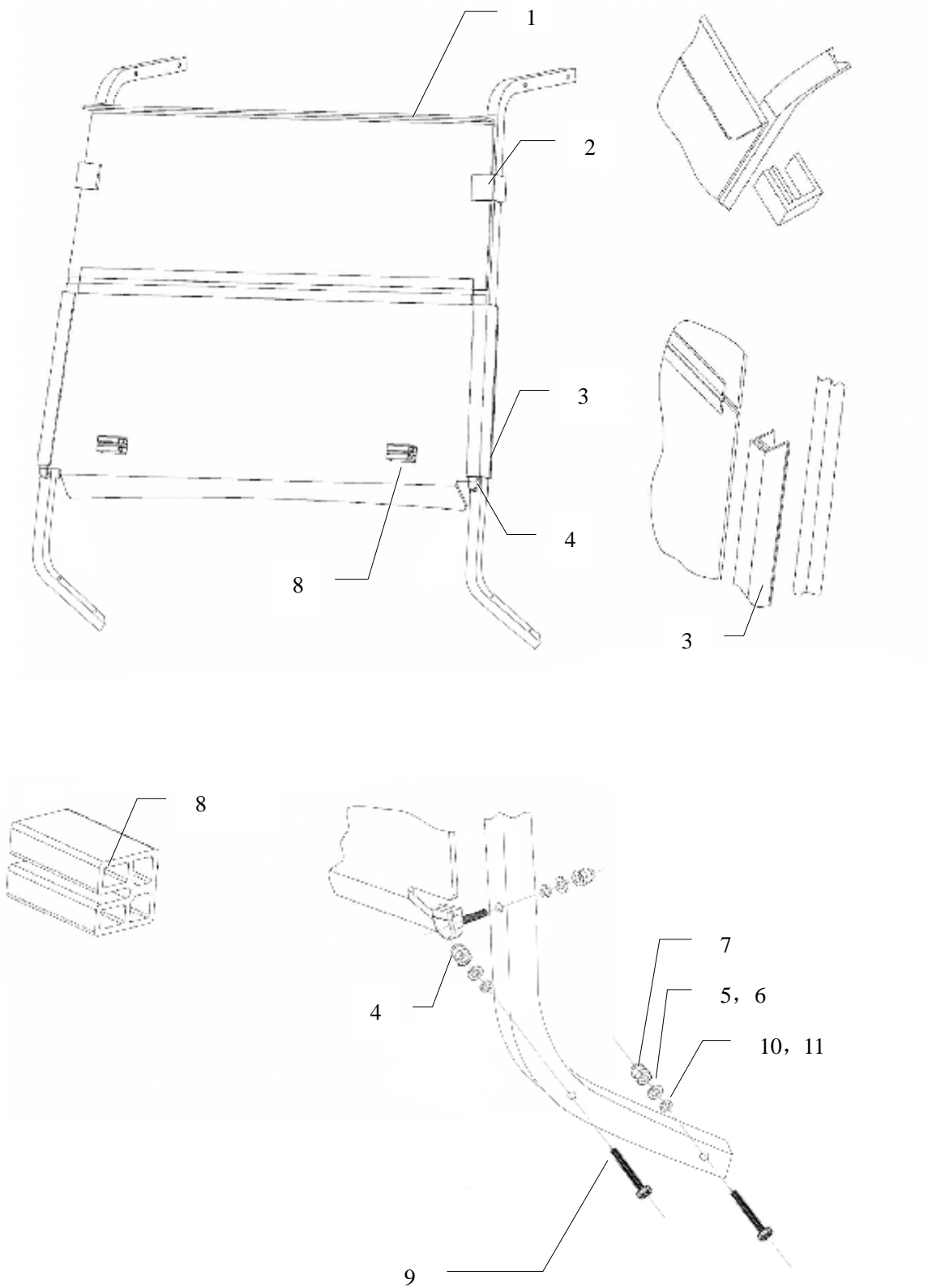


1-1 Front Cover (前罩)、Instrument Panel (仪表盘)

| Item | Part No | Description | 中文名称 | Qty | Remark |
|------|----------------|-------------------------------------|-------------------|-----|-------------|
| 1 | 5302010-036 | Front cover (no paint) | 前罩(不含油漆) | 1 | |
| | 5302010-036-A0 | Front cover (3013 green) | 前罩(3013 绿) | 1 | |
| | 5302010-036-A3 | Front cover (Pure white) | 前罩(纯白) | 1 | |
| | 5302010-036-A4 | Front cover (Pure black) | 前罩(纯黑) | 1 | |
| | 5302010-036-A5 | Front cover (Coca cola red) | 前罩(可口可乐红) | 1 | |
| | 5302010-036-A7 | Front cover (Champagne) | 前罩(香槟色) | 1 | |
| | 5302010-036-A1 | Front cover (Metallic green) | 前罩(金属绿) | 1 | |
| | 5302010-036-A9 | Front cover (Navy blue) | 前罩(警蓝) | 1 | |
| 2 | 5305110-009 | Instrument panel assembly (plastic) | 仪表台(普通) | 1 | |
| | 5305110-009-A2 | Instrument board assembly (timber) | 仪表台(桃木) | 1 | |
| 3 | 5305126-009 | Safety label | 2028 警告标牌 | 1 | Stick |
| | 5305127-008 | Glove box mat | 手套盒垫 | 2 | Eudipleural |
| 5 | 5305123-009 | Glove box block | 手套盒挡块 | 2 | Eudipleural |
| 6 | 5109011-036 | Floor mat bar | 地板革压条(地毯压条) | 2 | |
| 7 | Q4400518H | Blind Rivet 5*18.08 | 抽心铆钉 5*18.08 发黑铆钉 | 2 | |
| 8 | Q4420510 | RivetΦ5×10 | 铆钉 Φ5×10 | 9 | |
| 9 | Q4400518H | Blind Rivet 5*18.08 | 抽心铆钉 5*18.08 发黑铆钉 | 4 | |
| 10 | AIC-JL-001 | Button | 按扣 | 6 | |
| 11 | 5305121-009 | Cup holder (plastic) | 杯托(普通) | 1 | |
| | 5305121-009-A2 | Cup holder (timber) | 杯托(桃木) | 1 | |

1-2 Windshield (挡风玻璃)

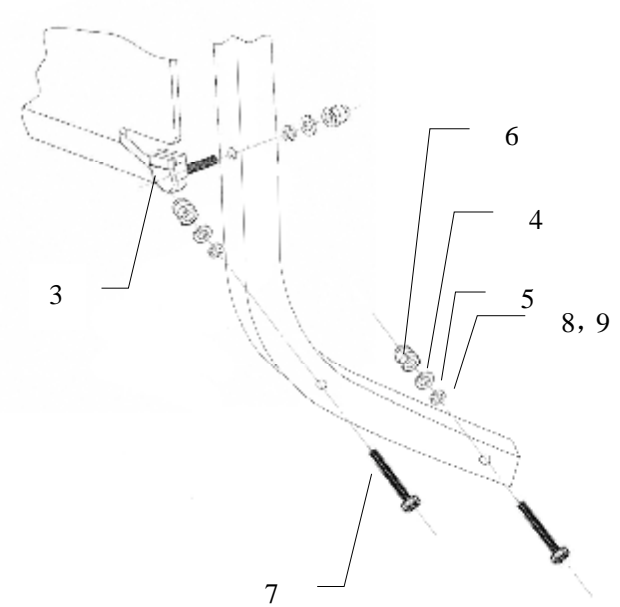
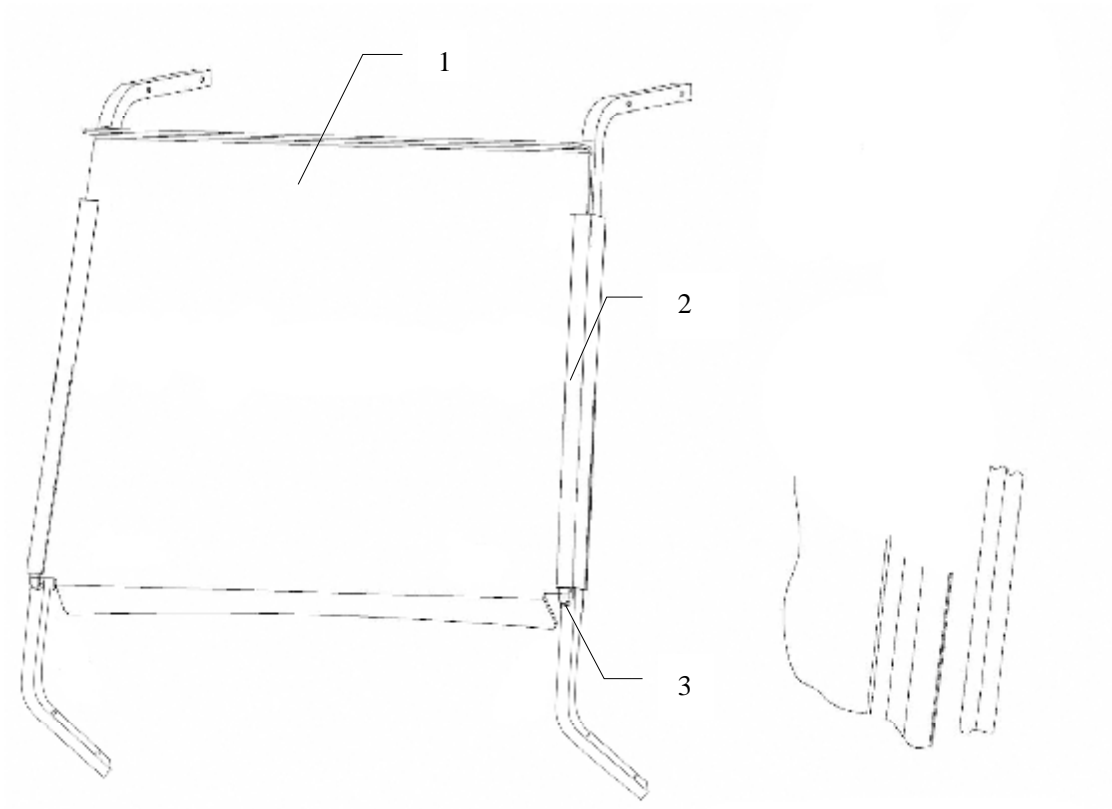
Split windshield (折叠挡风玻璃)



Split Windshield（折叠挡风玻璃）

| Item | Part No | Description | 中文名称 | Qty | Remark |
|------|----------------|-------------------------------------|-----------------|-----|-----------------------|
| 1 | 5303010-012 | Split Windshield(tan) | 折叠挡风玻璃（茶色） | 1 | |
| 2 | | Slip block (included in item 1) | 玻璃固定夹块(包含在 1 中) | 2 | included in item 1 |
| 3 | 5303021-012 | Sash | 玻璃夹 | 2 | |
| 4 | 5303022-011 | Holding block | 玻璃托块 | 2 | |
| 5 | Q40106-304H | Black nickel flat washer M6 | 黑镍平垫 M6 | 8 | |
| 6 | Q40306-304H | Black nickel Spring washer M6 | 黑镍弹垫 M6 | 4 | |
| 7 | Q394B06-304H | Black nickel operculiform nut M6 | 黑镍盖形螺母 M6 | 4 | welded on the chassis |
| 8 | | Clipping block (included in item 1) | 玻璃夹块 | 2 | included in item 1 |
| 9 | Q150B0850-304H | Bolt | 螺栓 | 4 | |
| 10 | 2024-5601002 | Cushion board | 小垫块 | 4 | |
| 11 | 2024-5601004 | Separation block | 隔离块 | 4 | |

One-piece Windshield(非折叠挡风玻璃)

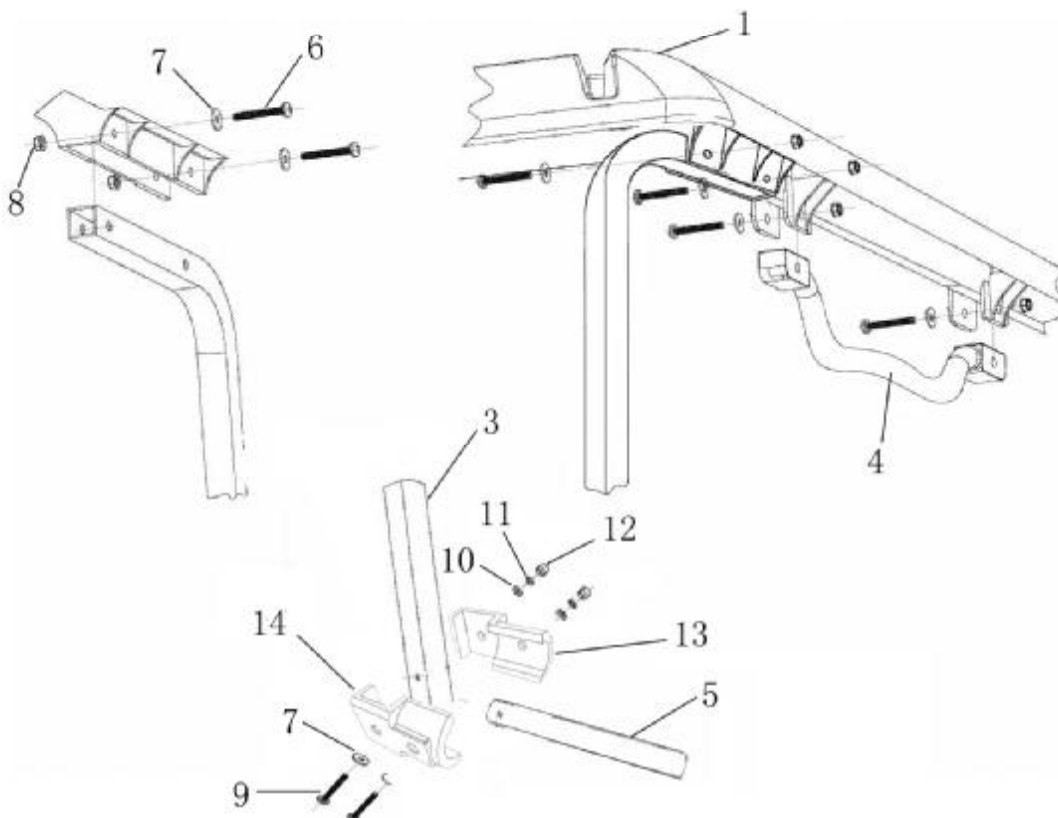
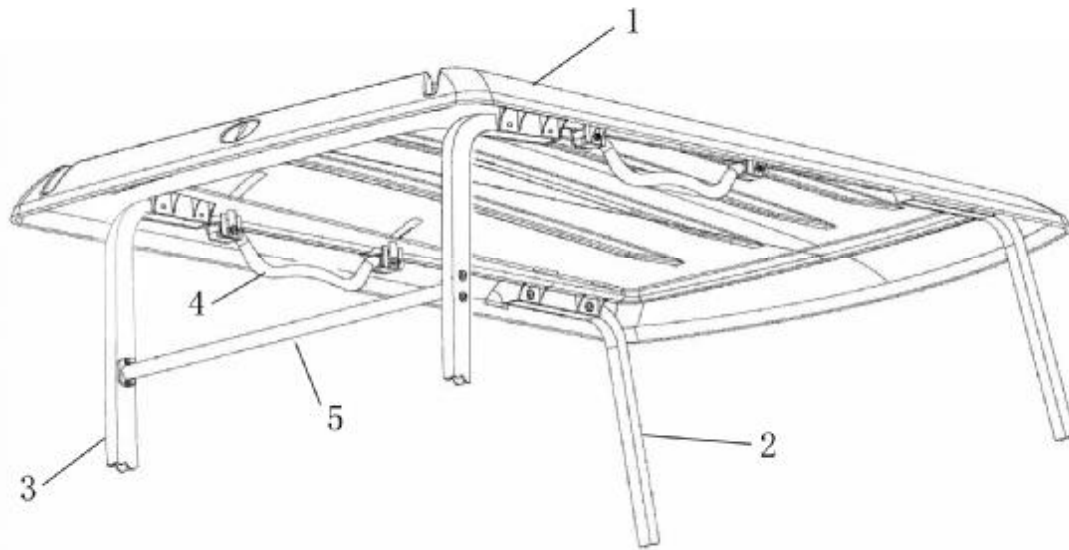


One-piece Windshield（非折叠挡风玻璃）

| Item | Part No | Description | 中文名称 | Qty | Remark |
|------|----------------|----------------------------------|-----------|-----|-----------------------|
| 1 | 5303010-011 | One-piece windshield | 非折叠挡风玻璃 | 1 | |
| 2 | 5303021-011 | Sash | 玻璃夹 | 2 | |
| 3 | 5303022-011 | Holding block | 玻璃托块 | 2 | |
| 4 | Q40106-304H | Black nickel flat washer M6 | 黑镍平垫 M6 | 8 | |
| 5 | Q40306-304H | Black nickel Spring washer M6 | 黑镍弹垫 M6 | 4 | |
| 6 | Q394B06-304H | Black nickel operculiform nut M6 | 黑镍盖形螺母 M6 | 4 | welded on the chassis |
| 7 | Q150B0850-304H | Bolt | 螺栓 | 4 | |
| 8 | 2024-5601002 | Cushion board | 小垫块 | 4 | |
| 9 | 2024-5601004 | Separation block | 隔离块 | 4 | |

1-3 CANOPY KIT (顶篷)

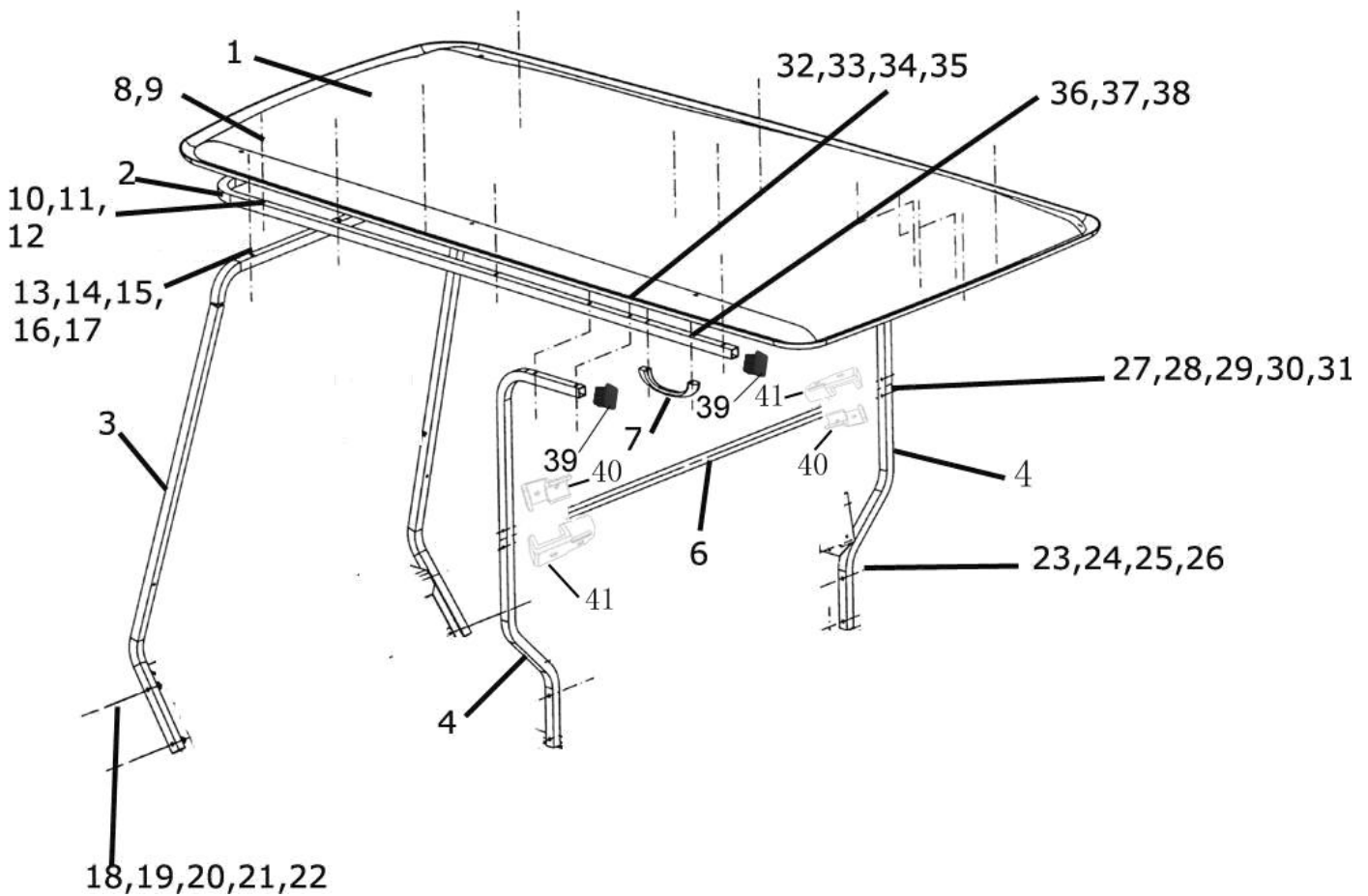
EG2028K Canopy Kit (EG2028K 顶棚)



EG2028K Canopy (EG2028K 顶篷)

| Item | Part No | Description | 中文名称 | Qty | Remark |
|------|---------------|---------------------------------------|-----------------------|-----|-------------|
| 1 | 5702010-036 | Canopy | 顶棚 | 1 | |
| 2 | 2028-5601005 | Front bracket (Carbon steel) | 顶棚前支架 (碳钢) | 2 | eudipleural |
| | 5701011-037 | Front bracket (STS) | 顶棚前支架(不锈钢) | 2 | eudipleural |
| | 5701011-038 | Front bracket (Aluminum) | 顶棚前支架(铝) | 2 | eudipleural |
| 3 | 2028-5601011 | Rear bracket (Carbon steel) | 顶棚后立柱 | 2 | Eudipleural |
| | 5701021-037 | Rear bracket (STS) | 顶棚后立柱 (不锈钢) | 2 | Eudipleural |
| | 5701021-038 | Rear bracket (Aluminum) | 顶棚后立柱(铝) | 2 | Eudipleural |
| 4 | 5702021-036 | Canopy handle | 顶棚拉手 | 2 | |
| 5 | 5701031-036 | Caddie handle(Carbon steel) | 球童拉手(碳钢) | 1 | |
| | 5701031-037 | Caddie handle (STS) | 球童拉手(不锈钢) | 1 | |
| | 5701031-038 | Caddie handle (Aluminum) | 球童拉手(铝) | 1 | |
| 6 | Q2140645-304H | Black nickel cross slot bolt M6×45 | 十字槽盘头螺栓 M6×45 | 12 | STS |
| 7 | Q40206-304H | Black nickel big washer M6 | 加大平垫 M6 | 16 | STS |
| 8 | Q32606 | Self-lock nut M6 | 2 型非金属嵌件六角琐 紧螺母 M6 | 12 | |
| 9 | Q2140640-304H | Black nickel cross slot bolt M6×40 | 黑镍十字槽盘头螺栓 M6×40 | 4 | |
| 10 | Q40106-304H | Black nickel flat washer M6 | 黑镍平垫 M6 | 4 | |
| 11 | Q40306-304H | Black nickel Spring washer M6 | 黑镍弹垫 M6 | 4 | |
| 12 | Q394B06-304H | Black nickel operculiform nut M6 | 黑镍盖形螺母 M6 | 4 | |
| 13 | 5701041-036 | #1 jacket for caddie handle | #1 球童拉手夹套 | 2 | |
| 14 | 5701042-036 | #2 jacket for caddie handle | #2 球童拉手夹套 | 2 | |

EG2028KSF&EG2028KSZ CANOPY KIT (EG2028KSF/KSZ 顶棚)



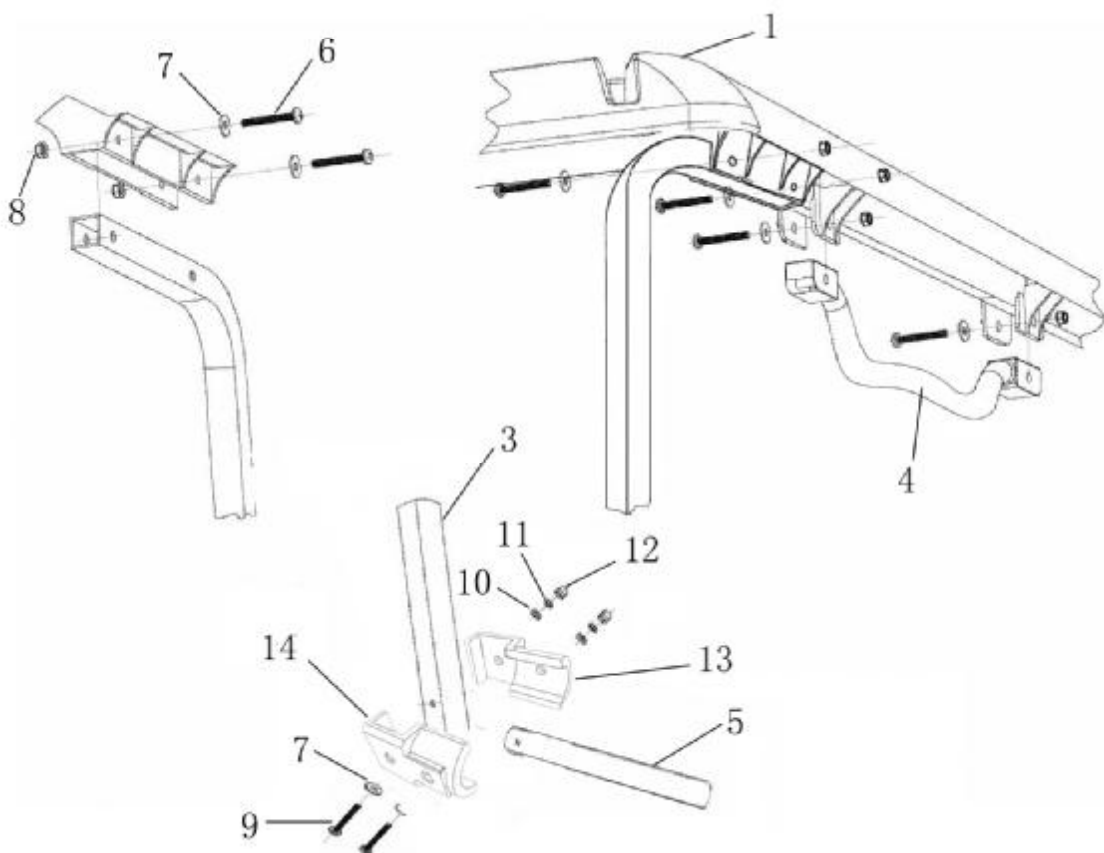
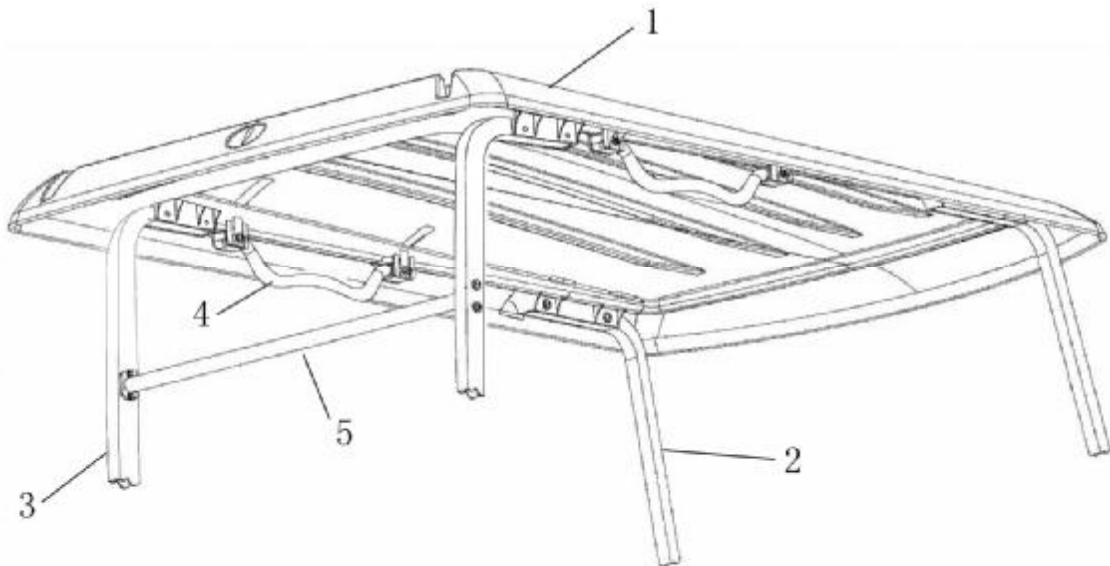
EG2028KSF&EG2028KSZ CANOPY KIT (EG2028KSF/KSZ 顶棚)

| Item | Part No | Description | 中文名称 | Qty | Remark |
|------|-----------------|-----------------------------|--------------|-----|--------|
| 1 | 2044-5602001 | 4P Canopy(no paint) | 顶棚(不含漆)4P | 1 | |
| | 5702010-040-A6 | 4P Canopy(3013 green) | 顶棚(3013 绿)4P | 1 | |
| | 5702010-040-A9 | 4P Canopy(pure black) | 顶棚(纯黑)4P | 1 | |
| | 5702010-040-A10 | 4P Canopy(Coca cola red) | 顶棚(可口可乐红)4P | 1 | |
| | 5702010-040-A0 | 4P Canopy(Pure white) | 顶棚(纯白)4P | 1 | |
| | 5702010-040-A12 | 4P Canopy(Champagne) | 顶棚(香槟色)4P | 1 | |
| | 5702010-040-A7 | 4P Canopy(metallic green) | 顶棚(金属绿)4P | 1 | |
| | 5702010-040-A14 | 4P Canopy(Navy blue) | 顶棚(警车蓝)4P | 1 | |
| 2 | 5701061-037 | Top canopy bracket | 顶棚上支架 | 1 | |
| 3 | 5701011-039 | Front bracket(carbon steel) | 顶棚前支架(碳钢) | 1 | |
| | 5701011-040 | Front bracket(STS) | 顶棚前支架(不锈钢) | 1 | |
| | 5701011-041 | Front bracket(Aluminum) | 顶棚前支架(铝) | 1 | |

| | | | | | |
|----|---------------------|----------------------------------|----------------------|----|-----------------------|
| 4 | 5701021-043 | Rear bracket(carbon steel) | EG2028KSF 顶棚后立柱(碳钢) | 2 | Eudipleural EG2028KSF |
| | 5701021-044 | Rear bracket(STS) | EG2028KSF 顶棚后立柱(不锈钢) | 2 | Eudipleural EG2028KSF |
| | 2028KSF-5601011-003 | Rear bracket(Aluminum) | EG2028KSF 顶棚后立柱(铝) | 2 | Eudipleural EG2028KSF |
| | 5701021-039 | Rear bracket(carbon steel) | EG2028KSZ 顶棚后立柱(碳钢) | 2 | Eudipleural EG2028KSZ |
| | 5701021-040 | Rear bracket(STS) | EG2028KSZ 顶棚后立柱(不锈钢) | 2 | Eudipleural EG2028KSZ |
| | 5701021-041 | Rear bracket(Aluminum) | EG2028KSZ 顶棚后立柱(铝) | 2 | Eudipleural EG2028KSZ |
| 6 | 5701031-039 | Caddie handle (carbon steel) | 球童拉手(碳钢) | 1 | |
| | 5701031-040 | Caddie handle (STS) | 球童拉手(不锈钢) | 1 | |
| | 5701031-041 | Caddie handle (Aluminum) | 球童拉手(铝) | 1 | |
| 7 | 5202170-002 | Roof handle | 顶棚拉手 | 3 | |
| 8 | Q150B0865-304H | Black nickel hex head bolt M8×65 | 六角头螺栓 M8×65 | 6 | |
| 9 | Q40308-304H | Black nickel Spring washer M8 | 黑镍弹垫 M8 | 6 | |
| 10 | 2024-5601002 | Small cushion | 小垫块 | 12 | |
| 11 | Q40208-304H | Black nickel big washer M8 | 大垫圈 M8 | 6 | |
| 12 | Q40108-304H | Black nickel flat washer M8 | 黑镍平垫 M8 | 6 | |
| 13 | Q150B0865-304H | Black nickel bolt M8×65 | 六角头螺栓 M8×65 | 3 | |
| 14 | Q40108-304H | Black nickel flat washer M8 | 黑镍平垫 M8 | 6 | |
| 15 | Q40108-304H | Black nickel flat washer M8 | 黑镍平垫 M8 | 3 | |
| 16 | Q40308-304H | Black nickel Spring washer M8 | 黑镍弹垫 M8 | 3 | |
| 17 | Q394B08-304H | Black nickel operculiform nut M8 | 黑镍盖形螺母 M8 | 3 | |
| 18 | Q150B0865-304H | Black nickel hex head bolt M8×65 | 六角头螺栓 M8×65 | 4 | |
| 19 | Q40108-304H | Black nickel flat washer M8 | 黑镍平垫 M8 | 4 | |
| 20 | Q40308-304H | Black nickel Spring washer M8 | 黑镍弹垫 M8 | 4 | |
| 21 | 2024-5601002 | Cushion | 小垫块 | 4 | |
| 22 | 2024-5601004 | Separate block | 隔离块(铁件) | 2 | |
| 23 | Q150B0840-304H | Black nickel bolt M8×40 | 六角头螺栓 M8×40 | 4 | |

| | | | | | |
|----|---------------|--|-----------------|----|--|
| 24 | Q40108-304H | Black nickel washer M8 | 黑镍平垫 M8 | 8 | |
| 25 | Q40308-304H | Black nickel Spring washer M8 | 黑镍弹垫 M8 | 4 | |
| 26 | Q394B08-304H | Black nickel operculiform nut M8 | 黑镍盖形螺母 M8 | 4 | |
| 27 | Q2140645-304H | Black nickel bolt M6×45 | 黑镍十字槽盘头螺栓 M6×45 | 4 | |
| 28 | Q40106-304H | Black nickel washer M6 | 黑镍平垫 M6 | 6 | |
| 29 | Q40106-304H | Black nickel washer M6 | 黑镍平垫 M6 | 6 | |
| 30 | Q40306-304H | Black nickel Spring washer M6 | 黑镍弹垫 M6 | 4 | |
| 31 | Q394B06-304H | Black nickel operculiform nut M6 | 黑镍盖形螺母 M6 | 4 | |
| 32 | Q2140660-304H | Black nickel bolt M8×60 | 黑镍十字槽盘头螺栓 M8×60 | 4 | |
| 33 | Q40208-304H | Black nickel big washer M6 | 大垫圈 M8 | 4 | |
| 34 | Q40108-304H | Black nickel washer M8 | 黑镍平垫 M8 | 8 | |
| 35 | Q394B08-304H | Black nickel operculiform nut M8 | 黑镍盖形螺母 M8 | 4 | |
| 36 | Q2140640-304H | Black nickel cross slot pan head screw M6×40 | 黑镍十字槽盘头螺钉 M6×40 | 10 | |
| 37 | Q40206-304H | Black nickel big washer M6 | 大垫圈 M6 | 10 | |
| 38 | Q40306-304H | Black nickel Spring washer M6 | 黑镍弹垫 M6 | 10 | |
| 39 | 2024-5606004 | Canopy bracket cap | 端盖-方管堵块 | 4 | |
| 40 | 5701041-036 | #1 jacket for caddie handle | #1 球童拉手夹套 | 2 | |
| 41 | 5701042-036 | #2 jacket for caddie handle | #2 球童拉手夹套 | 2 | |

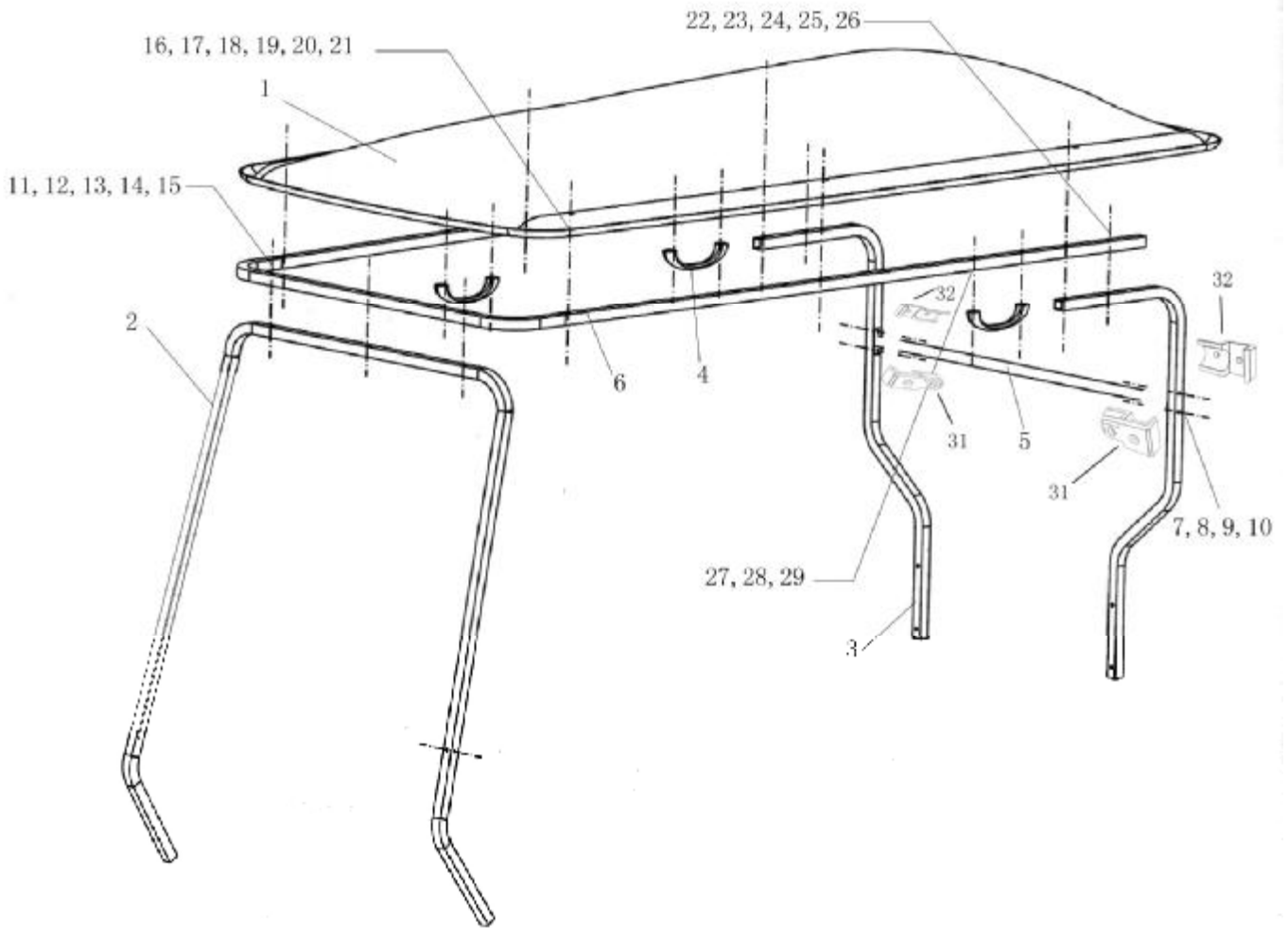
EG2028H CANOPY KIT (EG2028H 顶棚)



EG2028H CANOPY KIT (EG2028H 顶棚)

| Item | Part No | Description | 中文名称 | Qty | Remark |
|------|---------------|---|--------------------|-----|-------------|
| 1 | 5702010-036 | 2P Canopy (no paint) | 顶棚 | 1 | |
| 2 | 2028-5601005 | Front bracket (Carbon steel) | 顶棚前支架 (碳钢) | 2 | Eudipleural |
| | 5701011-037 | Front bracket (STS) | 顶棚前支架 (不锈钢) | 2 | Eudipleural |
| | 5701011-038 | Front bracket (Aluminum) | 顶棚前支架 (铝) | 2 | Eudipleural |
| 3 | 5701021-047 | Rear bracket (Carbon Steel) | 顶棚后立柱 (碳钢) | 2 | Eudipleural |
| | 5701021-048 | Rear bracket (STS) | 顶棚后立柱 (不锈钢) | 2 | Eudipleural |
| | 5701021-049 | Rear bracket (Aluminum) | 顶棚后立柱 (铝) | 2 | Eudipleural |
| 4 | 5702021-036 | Roof handle | 顶棚拉手 | 2 | |
| 5 | 5701031-036 | Caddie handle (Carbon Steel) | 球童拉手 (碳钢) | 1 | |
| | 5701031-037 | Caddie handle (STS) | 球童拉手 (不锈钢) | 1 | |
| | 5701031-038 | Caddie handle (Aluminum) | 球童拉手 (铝) | 1 | |
| 6 | Q2140645-304H | Black nickel cross slot pan head bolt M6×45 | 十字槽盘头螺栓 M6×45 | 12 | STS |
| 7 | Q40206-304H | Black nickel big washer M6 | 大垫圈 M6 | 16 | STS |
| 8 | Q32606 | Self-lock nut M6 | 2 型非金属嵌件六角锁紧螺母 M6 | 12 | |
| 9 | Q2140640-304H | Black nickel cross slot pan head bolt M6×40 | 黑镍十字槽盘头螺栓 M6×40 | 4 | |
| 10 | Q40106-304H | Black nickel washer M6 | 黑镍平垫 M6 | | |
| 11 | Q40306-304H | Black nickel Spring washer M6 | 黑镍弹垫 M6 | 4 | |
| 12 | Q394B06-304H | Black nickel operculiform nut M6 | 黑镍盖形螺母 M6 | 4 | |
| 13 | 5701041-036 | #1 jacket for caddie handle | #1 球童拉手夹套 | 2 | |
| 14 | 5701042-036 | #2 jacket for caddie handle | #2 球童拉手夹套 | 2 | |

EG2048K CANOPY KIT (EG2048K 顶棚)

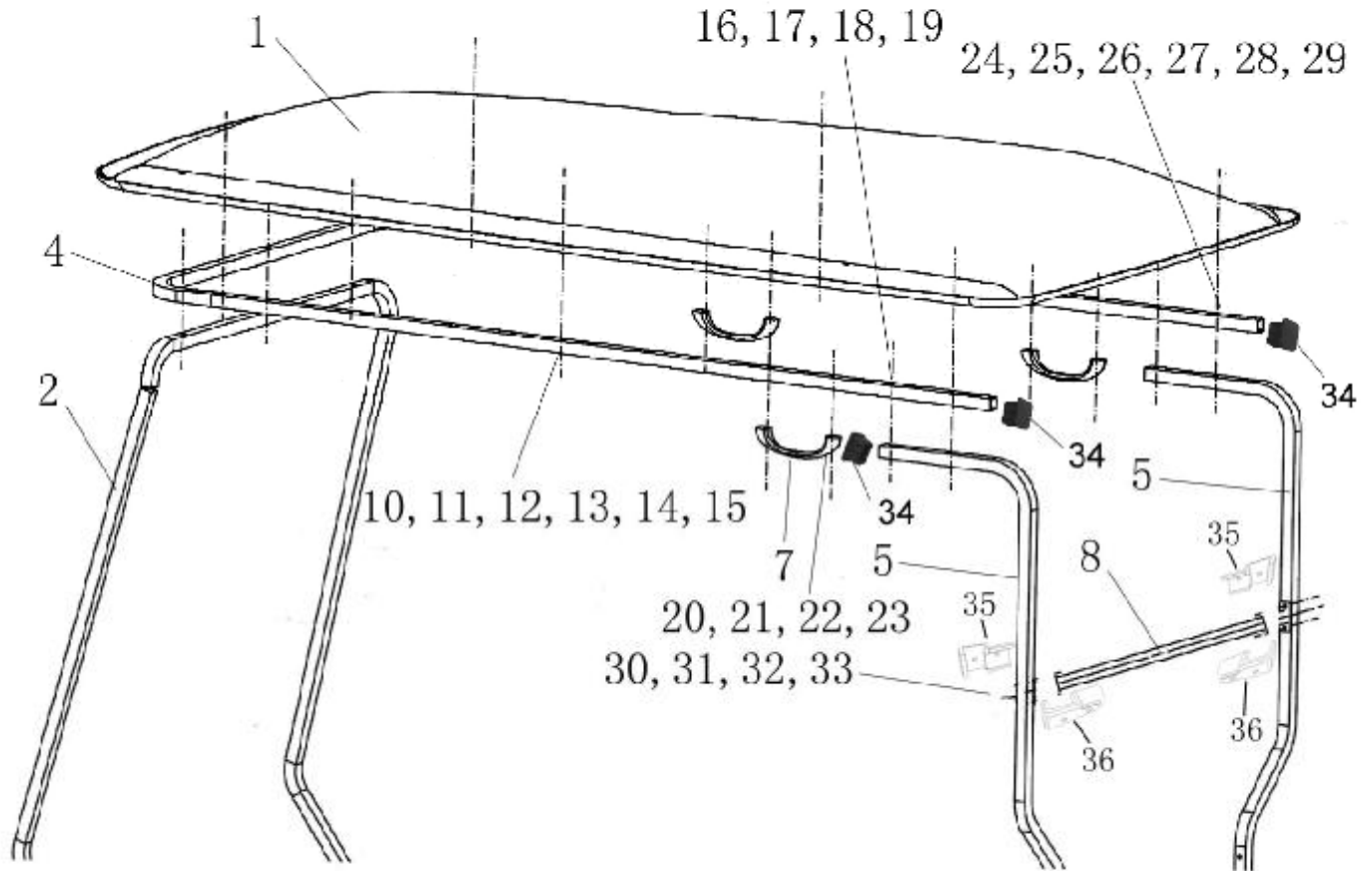


EG2048K CANOPY KIT (EG2048K 顶棚)

| Item | Part No | Description | 中文名称 | Qty | Remark |
|------|-----------------|------------------------------|--------------|-----|-------------|
| 1 | 2044-5602001 | 4P Canopy(no paint) | 顶棚(不含漆)4P | 1 | |
| | 5702010-040-A6 | 4P Canopy(3013 green) | 顶棚(3013 绿)4P | 1 | |
| | 5702010-040-A9 | 4P Canopy(pure black) | 顶棚(纯黑)4P | 1 | |
| | 5702010-040-A10 | 4P Canopy(Coca cola red) | 顶棚(可口可乐红)4P | 1 | |
| | 5702010-040-A0 | 4P Canopy(Pure white) | 顶棚(纯白)4P | 1 | |
| | 5702010-040-A12 | 4P Canopy(Champagne) | 顶棚(香槟色)4P | 1 | |
| | 5702010-040-A7 | 4P Canopy(metallic green) | 顶棚(金属绿)4P | 1 | |
| 2 | 5701011-039 | Front bracket (Carbon Steel) | 顶棚前支架(碳钢) | 1 | |
| | 5701011-040 | Front bracket (STS) | 顶棚前支架(不锈钢) | 1 | |
| | 5701011-041 | Front bracket (Aluminum) | 顶棚前支架(铝) | 1 | |
| 3 | 5701021-050 | Rear bracket (Carbon Steel) | 顶棚后立柱 (碳钢) | 2 | Eudipleural |
| | 5701021-051 | Rear bracket (STS) | 顶棚后立柱 (不锈钢) | 2 | Eudipleural |

| | | | | | |
|-----------|---------------|---|-----------------------|---|-------------|
| | 5701021-052 | Rear bracket (Aluminum) | 顶棚后立柱 (铝) | 2 | Eudipleural |
| 4 | 5202170-002 | Roof handle | 顶棚拉手 | 2 | |
| 5 | 5701031-043 | Caddie handle (Carbon Steel) | 球童拉手(碳钢) | 1 | |
| | 5701031-044 | Caddie handle (STS) | 球童拉手(不锈钢) | 1 | |
| | 5701031-045 | Caddie handle (Aluminum) | 球童拉手(铝) | 1 | |
| 6 | 5701061-038 | upper bracket | 顶棚上支架 | 1 | |
| 7 | Q2140645-304H | Black nickel cross slot bolt M6×40 | 黑镍十字槽盘头螺栓 M6×40 | 4 | |
| 8 | Q40106 | Black nickel washer M6 | 黑镍平垫圈 M6 | 4 | |
| 9 | Q40306 | Black nickel Spring washer M6 | 黑镍弹垫 M6 | 4 | |
| 10 | Q32606 | Black nickel operculiform nut M6 | 2 型非金属嵌件六角锁 紧螺母 M6 | 4 | |
| 11 | Q2140660-304H | Black nickel cross slot pan head bolt M8×60 | 黑镍十字槽盘头螺栓 M8×60 | 3 | |
| 12 | Q40108 | Black nickel washer M8 | 黑镍平垫圈 M8 | 3 | |
| 13 | Q40108 | Black nickel washer M8 | 黑镍平垫圈 M8 | 3 | |
| 14 | Q40308 | Black nickel Spring washer M8 | 黑镍弹垫 M8 | 3 | |
| 15 | Q394B08 | Black nickel operculiform nut M8 | 黑镍盖形螺母 M8 | 3 | |
| 16 | Q2140660-304H | Black nickel cross slot pan head bolt M8×60 | 黑镍十字槽盘头螺栓 M8×60 | 6 | Eudipleural |
| 17 | Q40108 | Black nickel washer M8 | 黑镍平垫圈 M8 | 6 | Eudipleural |
| 18 | 2024-5601002 | Rubber cushion | 小垫块 (橡胶垫) | 6 | Eudipleural |
| 19 | Q40208 | Black nickel big washer M8 | 大垫圈 M8 | 6 | Eudipleural |
| 20 | Q40308 | Black nickel Spring washer M8 | 黑镍弹垫圈 M8 | 6 | Eudipleural |
| 21 | Q394B08 | Black nickel operculiform nut M8 | 黑镍盖形螺母 M8 | 6 | Eudipleural |
| 22 | Q2140660-304H | Black nickel cross slot pan head bolt M8×60 | 黑镍十字槽盘头螺栓 M8×60 | 4 | Eudipleural |
| 23 | Q40308 | Black nickel Spring washer M8 | 黑镍弹垫 M8 | 4 | Eudipleural |
| 24、 25 | Q40108 | Black nickel washer M8 | 黑镍平垫圈 M8 | 8 | Eudipleural |
| 26 | Q394B08 | Black nickel operculiform nut M8 | 黑镍盖形螺母 M8 | 4 | Eudipleural |
| 27 | Q2140645-304H | Black nickel cross slot pan head screw M6×40 | 黑镍十字槽盘头螺钉 M6×40 | 6 | Eudipleural |
| 28 | Q40206 | Black nickel big washer M6 | 大垫圈 M6 | 6 | Eudipleural |
| 29 | Q40306 | Black nickel Spring washer M6 | 黑镍弹垫 M6 | 6 | Eudipleural |
| 30 | 2024-5606004 | Canopy bracket cap | 端盖-方管堵块 | 4 | |
| 31 | 5701041-036 | #1 jacket for caddie handle | #1 球童拉手夹套 | 2 | |
| 32 | 5701042-036 | #2 jacket for caddie handle | #2 球童拉手夹套 | 2 | |

EG2048H CANOPY KIT (EG2048H 顶棚)

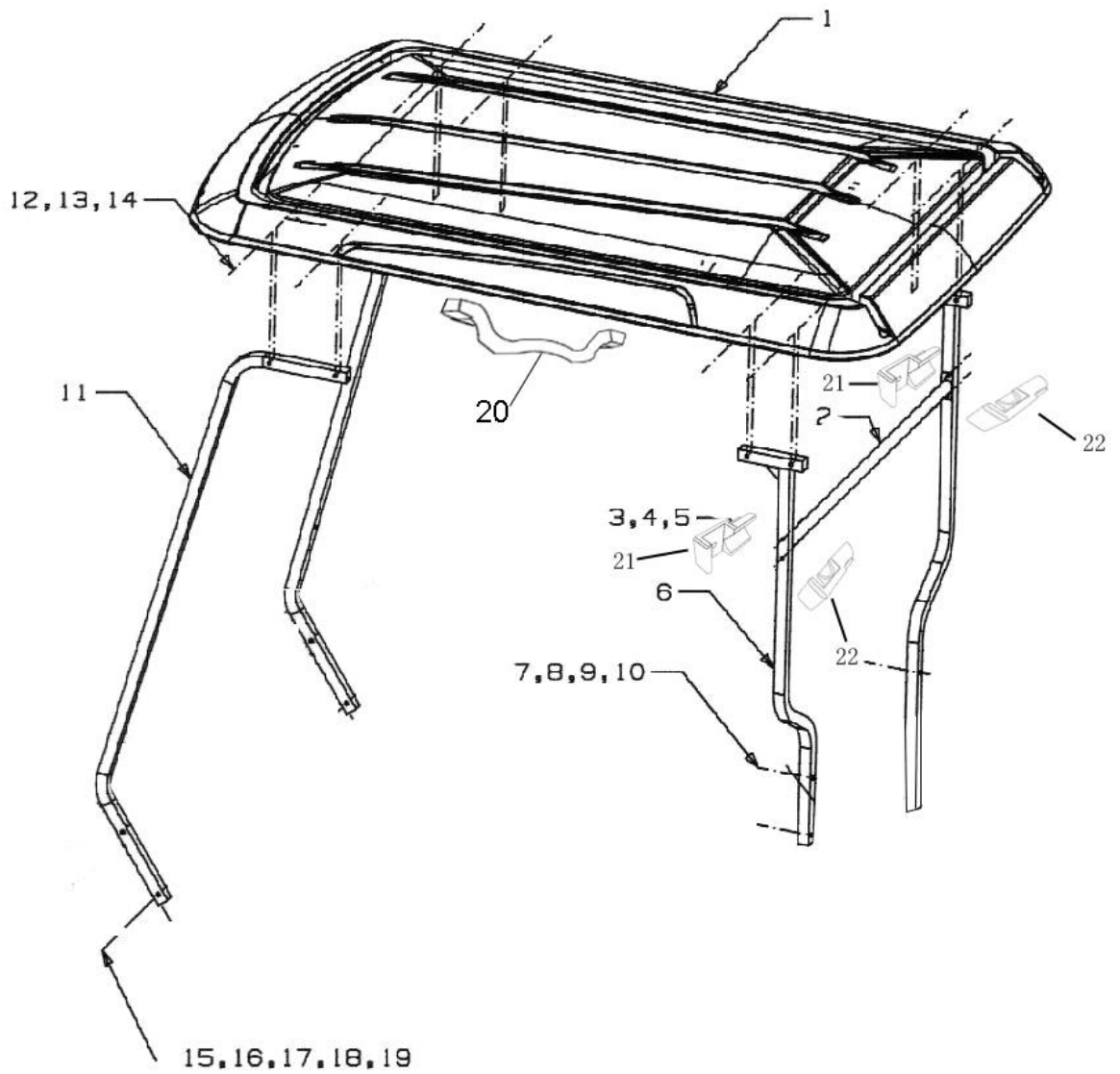


EG2048H CANOPY KIT (EG2048H 顶棚)

| Item | Part No | Description | 中文名称 | Qty | Remark |
|------|-----------------|------------------------------|--------------|-----|-------------|
| 1 | 2044-5602001 | 4P Canopy(no paint) | 顶棚(不含漆)4P | 1 | |
| | 5702010-040-A6 | 4P Canopy(3013 green) | 顶棚(3013 绿)4P | 1 | |
| | 5702010-040-A9 | 4P Canopy(pure black) | 顶棚(纯黑)4P | 1 | |
| | 5702010-040-A10 | 4P Canopy(Coca cola red) | 顶棚(可口可乐红)4P | 1 | |
| | 5702010-040-A0 | 4P Canopy(Pure white) | 顶棚(纯白)4P | 1 | |
| | 5702010-040-A12 | 4P Canopy(Champagne) | 顶棚(香槟色)4P | 1 | |
| | 5702010-040-A7 | 4P Canopy(metallic green) | 顶棚(金属绿)4P | 1 | |
| | 5702010-040-A14 | 4P Canopy(Navy blue) | 顶棚(警车蓝)4P | 1 | |
| 2 | 5701011-039 | Front bracket (Carbon Steel) | 顶棚前支架(碳钢) | 1 | Eudipleural |
| | 5701011-040 | Front bracket (STS) | 顶棚前支架(不锈钢) | 1 | Eudipleural |
| | 5701011-041 | Front bracket (Aluminum) | 顶棚前支架(铝) | 1 | |
| 4 | 5701061-041 | upper bracket | 顶棚上支架 | 1 | |
| 5 | 5701021-057 | Rear bracket (Carbon Steel) | 顶棚后立柱(碳钢) | 2 | Eudipleural |

| | | | | | |
|----|----------------|---|---------------|----|-------------|
| | 5701021-058 | Rear bracket (STS) | 顶棚后立柱(不锈钢) | 2 | Eudipleural |
| | 5701021-059 | Rear bracket (Aluminum) | 顶棚后立柱 (铝) | 2 | Eudipleural |
| 7 | 5202170-002 | Roof handle | 顶棚拉手 | 2 | |
| 8 | 5701031-050 | Caddie handle(Carbon Steel) | 球童拉手(碳钢) | 1 | |
| | 5701031-051 | Caddie handle (STS) | 球童拉手(不锈钢) | 1 | |
| | 5701031-052 | Caddie handle (Aluminum) | 球童拉手(铝) | 1 | |
| 10 | Q150B0865-304H | Hex head bolt M8x65 | 六角头螺栓 M8×65 | 4 | |
| 11 | Q40208-304H | Big washer M8 | 大垫圈 M8 | 4 | |
| 12 | 2024-5601002 | Rubber cushion | 小垫块 (橡胶垫) | 12 | |
| 13 | Q40108-304H | washer M8 | 平垫圈 M8 | 4 | |
| 14 | Q40308-304H | Spring washer M8 | 弹垫 M8 | 4 | |
| 15 | Q394B08-304H | Black nickle operculiform nut M8 | 黑镍盖形螺母 M8 | 4 | |
| 16 | Q150B0865-304H | Hex head bolt M8x65 | 六角头螺栓 M8×65 | 5 | |
| 17 | Q40108-304H | washer M8 | 平垫圈 M8 | 10 | |
| 18 | Q40308-304H | Spring washer M8 | 弹垫 M8 | 5 | |
| 19 | Q394B08-304H | Black nickle operculiform nut M8 | 黑镍盖形螺母 M8 | 5 | |
| 20 | Q2140640-304H | Black nickel cross slot pan head bolt M6×40 | 十字槽盘头螺栓 M6×40 | 6 | |
| 21 | Q40206-304H | Big washer M6 | 大垫圈 M6 | 6 | |
| 22 | Q40306-304H | Spring washer M6 | 弹垫 M6 | 6 | |
| 23 | Q340B06-304H | Hex head nut M6 | 1 型六角螺母 M6 | 6 | |
| 24 | Q150B0890-304H | Hex head bolt M8X90 | 六角头螺栓 M8×90 | 2 | |
| 25 | Q40208-304H | Big washer M8 | 大垫圈 M8 | 2 | |
| 26 | 2024-5601002 | Rubber cushion | 小垫块 (橡胶垫) | 6 | |
| 27 | Q40108-304H | Washer M8 | 平垫圈 M8 | 2 | |
| 28 | Q40308-304H | Spring washer M8 | 弹垫 M8 | 2 | |
| 29 | Q394B08-304H | Black nickle operculiform nut M8 | 黑镍盖形螺母 M8 | 2 | |
| 30 | Q2140640-304H | Black nickel cross slot bolt M6×40 | 十字槽盘头螺栓 M6×40 | 4 | |
| 31 | Q40106-304H | Washer M6 | 平垫圈 M6 | 4 | |
| 32 | Q40306-304H | Spring washer M6 | 弹垫 M6 | 4 | |
| 33 | Q394B06-304H | Black nickle operculiform nut M6 | 黑镍盖形螺母 M6 | 4 | |
| 34 | 2024-5606004 | Canopy bracket cap | 端盖-方管堵块 | 4 | |
| 35 | 5701041-036 | #1 jacket for caddie handle | #1 球童拉手夹套 | 2 | |
| 36 | 5701042-036 | #2 jacket for caddie handle | #2 球童拉手夹套 | 2 | |

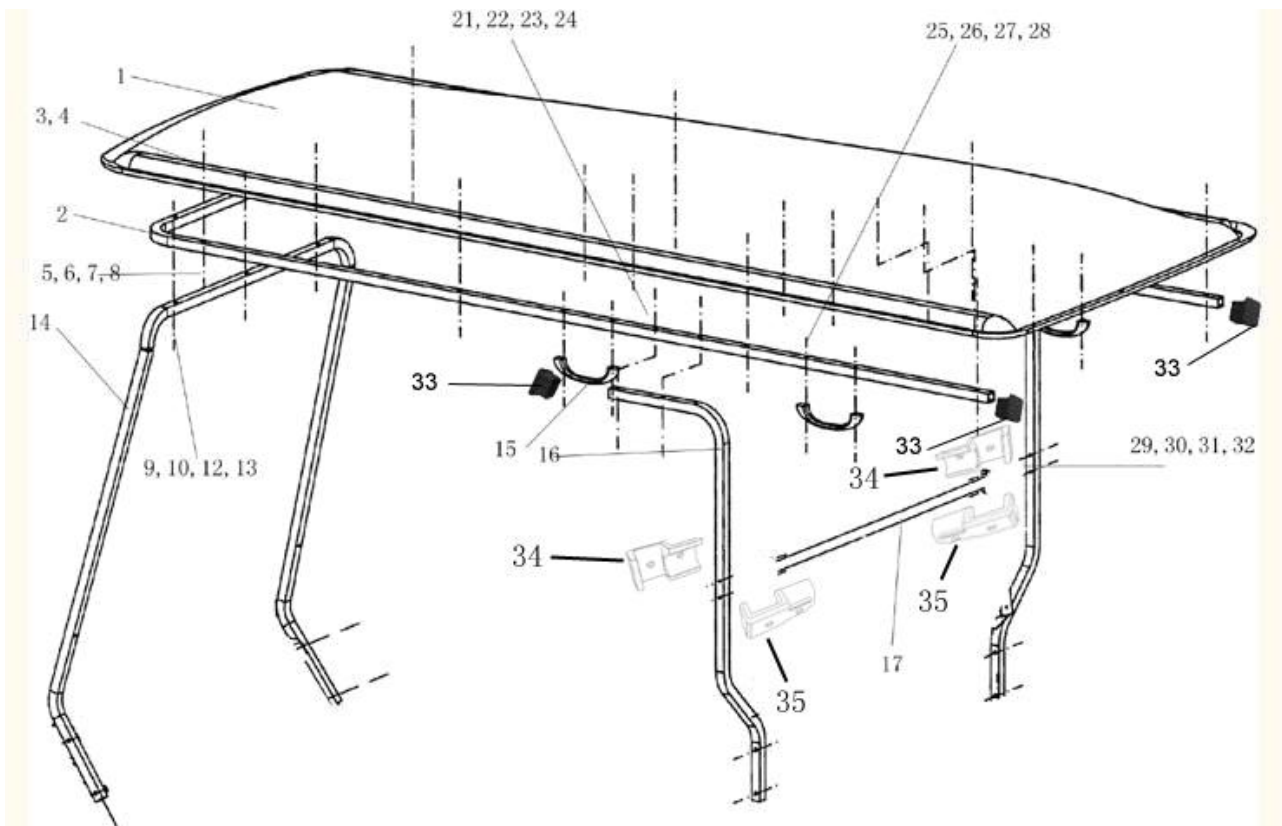
EG2048HCX CANOPY KIT (EG2048HCX 顶棚)



EG2048HCX CANOPY KIT (EG2048HCX 顶棚)

| Item | Part No | Description | 中文名称 | Qty | Remark |
|------|--------------------|--|-------------------|----------|--------------------|
| 1 | 5702010-036 | canopy | 顶棚 | 1 | |
| 2 | 5701031-036 | Caddie handle(Carbon Steel) | 球童拉手(碳钢) | 1 | |
| | 5701031-037 | Caddie handle (STS) | 球童拉手(不锈钢) | 1 | |
| | 5701031-038 | Caddie handle (Aluminum) | 球童拉手(铝) | 1 | |
| 3 | Q2140640-304H | Cross slot pan head screw M6X40 | 黑镍十字槽盘头螺栓 M6×40 | 4 | |
| 4 | Q40106-304H | Flat washer M6 | 黑镍平垫 | 8 | |
| 5 | #N/A | Spring washer M6 | 黑镍弹垫 M6/ | 4 | |
| | Q394B06-304H | Black nickle operculiform nut M6 | 黑镍盖形螺母 M6 | 4 | |
| 6 | 5701021-060 | Rear Bracket (Carbon steel) | 顶棚后立柱(碳钢) | 2 | Eudipleural |
| | 5701021-061 | Rear Bracket (STS) | 顶棚后立柱(不锈钢) | 2 | Eudipleural |
| | 5701021-062 | Rear bracket (Aluminum) | 顶棚后立柱 (铝) | 2 | Eudipleural |
| 7 | Q150B0845-304H | Hex head bolt M8X45 | 六角头螺栓 M8×45 | 4 | |
| 8 | Q40108-304H | Flat washer M8 | 黑镍平垫 M8 | 8 | |
| 9 | Q40308-304H | Spring washer M8 | 弹簧垫圈 M8 | 4 | |
| 10 | Q394B08-304H | Black nickle operculiform nut M8 | 黑镍盖形螺母 M8 | 4 | |
| 11 | 2028-5601005 | Front bracket(Carbon steel) | 顶棚前支架(碳钢) | 2 | Eudipleural |
| | 5701011-037 | Front bracket(STS) | 顶棚前支架 (不锈钢) | 2 | Eudipleural |
| | 5701011-038 | Front bracket (Aluminum) | 顶棚前支架(铝) | 1 | |
| 12 | Q2140650-304 | Cross slot pan head screw M6X50 | 不锈钢十字槽盘头螺栓 M6×50 | 8 | |
| 13 | Q40206-304H | Big washer M6 | 大垫圈 M6 | 16 | |
| 14 | Q32606 | Self-lock hex nut M6 | 2 型非金属嵌件六角琐紧螺母 M6 | 8 | |
| 15 | Q2140660-304H | Black nickel cross slot pan head screw M8×60 | 黑镍十字槽盘头螺钉 M8×60 | 4 | |
| 16 | Q40108-304H | Falt washer M8 | 平垫 M8 | 4 | |
| 17 | 2024-5601002 | Rubber cushion | 小垫块(橡胶垫) | 4 | |
| 18 | 2024-5601004 | Separate cushion | 隔离块(垫块) | 4 | |
| 19 | Q40308-304H | spring washer M8 | 弹垫 M8 | 4 | |
| 20 | 5702021-036 | Roof handle | 顶棚拉手 | 2 | |
| 21 | 5701041-036 | #1 jacket for caddie handle | #1 球童拉手夹套 | 2 | |
| 22 | 5701042-036 | #2 jacket for caddie handle | #2 球童拉手夹套 | 2 | |

EG2048KSF & EG2048KSZ CANOPY KIT (EG2048KSF&EG2048KSZ 顶棚)



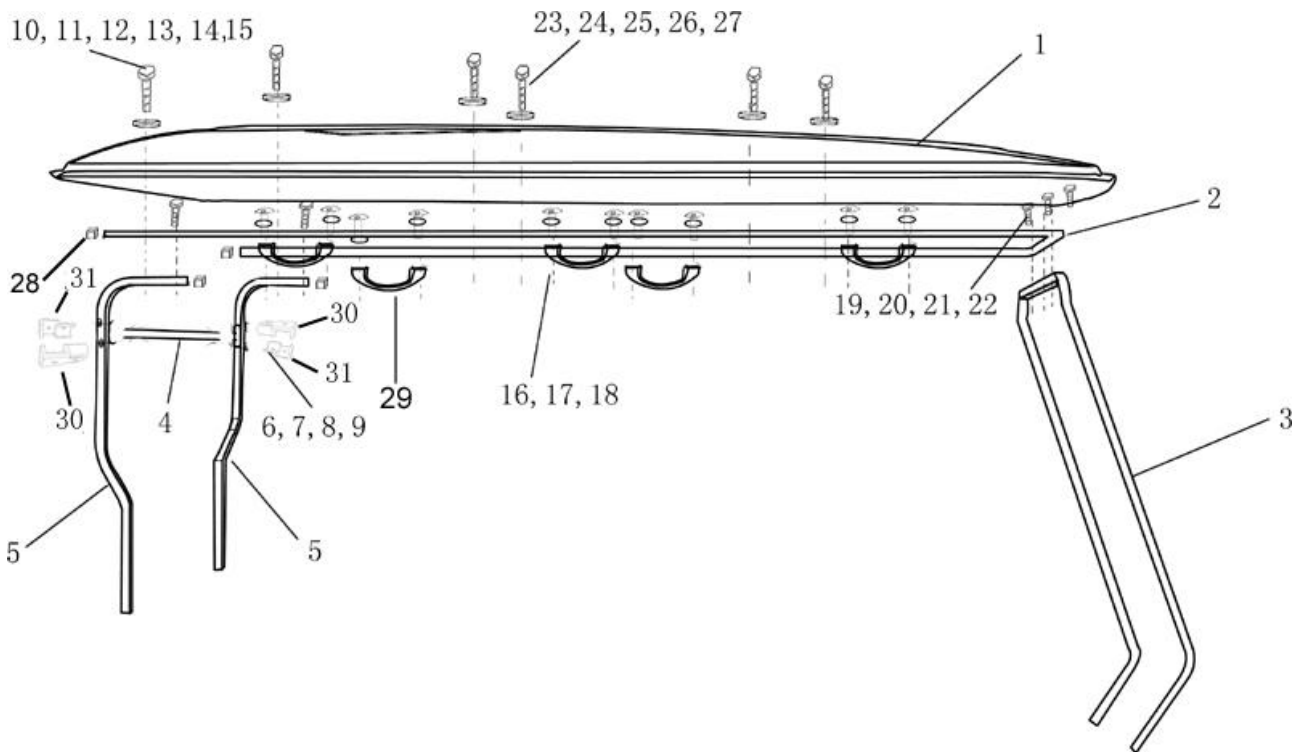
EG2048KSF & EG2048KSZ CANOPY KIT (EG2048KSF&EG2048KSZ 顶棚)

| Item | Part No | Description | 中文名称 | Qty | Remark |
|------|-----------------|-------------------------------|-------------|-----|--------|
| 1 | 5702010-045-A0 | Canopy (Pure white) | 顶棚 (纯白) | 1 | |
| | 5702010-045-A6 | Canopy (3013 green) | 顶棚 (3013 绿) | | |
| | 5702010-045-A9 | Canopy (Coca cola red) | 顶棚 (可口可乐红) | | |
| | 5702010-045-A8 | Canopy (Pure black) | 顶棚 (纯黑) | | |
| | 5702010-045-A7 | Canopy (Metallic green) | 顶棚 (金属绿) | | |
| | 5702010-045-A11 | Canopy (Champagne) | 顶棚 (香槟色) | | |
| | 5702010-045-A13 | Canopy (Navy blue) | 顶棚 (警蓝) | | |
| 2 | 5701061-040 | upper bracket | 顶棚上支架 | 1 | |
| 3 | Q150B0865-304H | Hex head bolt M8×65 | 六角头螺栓 M8×65 | 8 | |
| 4 | Q40208-304H | Black nickel Spring washer M8 | 黑镍弹垫 M8 | 8 | |
| 5 | 2024-5601002 | rubber cushion | 小垫块(橡胶垫) | 24 | |
| 6 | Q40208-304H | Black nickel big washer M8 | 大垫圈 M8 | 8 | |
| 7 | Q40108-304H | Black nickel flat washer M8 | 黑镍平垫 M8 | 8 | |

| | | | | | |
|----|----------------|---|----------------------|----|-------------|
| 8 | Q394B08-304H | Black nickel operculiform nut M8 | 黑镍盖形螺母 M8 | 8 | |
| 9 | Q150B0865-304H | Black nickel hex head bolt M8×65 | 六角头螺栓 M8×65 | 3 | |
| 10 | Q40108-304H | Black nickel flat washer M8 | 黑镍平垫 M8 | 6 | |
| 12 | Q40308-304H | Black nickel Spring washer M8 | 黑镍弹垫 M8 | 3 | |
| 13 | Q394B08-304H | Black nickel operculiform nut M8 | 黑镍盖形螺母 M8 | 3 | |
| 14 | 5701011-039 | Front bracket (Carbon steel) | 顶棚前支架(碳钢) | 1 | |
| | 5701011-040 | Front bracket (STS) | 顶棚前支架(不锈钢) | 1 | |
| | 5701011-041 | Front bracket (Aluminum) | 顶棚前支架(铝) | 1 | |
| 15 | 5202170-002 | Roof handle | 顶棚拉手 | 5 | |
| 16 | 5701021-057 | EG2048KSF Rear bracket(Carbon Steel) | EG2048KSF 顶棚后立柱(碳钢) | 2 | Eudipleural |
| | 5701021-058 | EG2048KSF Rear bracket(STS) | EG2048KSF 顶棚后立柱(不锈钢) | 2 | Eudipleural |
| | 5701021-059 | Rear bracket (Aluminum) | 顶棚后立柱 (铝) | 2 | Eudipleural |
| | 5701021-054 | EG2048KSZ Rear bracket(Carbon Steel) | EG2048KSZ 顶棚后立柱(碳钢) | 2 | Eudipleural |
| | 5701021-055 | EG2048KSZ Rear bracket (STS) | EG2048KSZ 顶棚后立柱(不锈钢) | 2 | Eudipleural |
| | 5701021-056 | Rear bracket (Aluminum) | 顶棚后立柱 (铝) | 2 | Eudipleural |
| 17 | 5701031-050 | EG2048KSF Caddie handle(Carbon Steel) | EG2048KSF 球童拉手(碳钢) | 1 | |
| | 5701031-051 | EG2048KSF Caddie handle(STS) | EG2048KSF 球童拉手(不锈钢) | 1 | |
| | 5701031-052 | Caddie handle (Aluminum) | 球童拉手(铝) | 1 | |
| | 5701031-047 | EG2048KSZ Caddie handle(Carbon Steel) | EG2048KSZ 球童拉手(碳钢) | 1 | |
| | 5701031-048 | EG2048KSZ Caddie handle(STS) | EG2048KSZ 球童拉手(不锈钢) | 1 | |
| | 5701031-049 | Caddie handle (Aluminum) | 球童拉手(铝) | 1 | |
| 21 | Q150B0865-304H | Black nickel hex head bolt M8×65 | 六角头螺栓 M8×65 | 4 | |
| 22 | Q40208-304H | Black nickel big washer M6 | 大垫圈 M8 | 4 | |
| 23 | Q40108-304H | Black nickel flat washer M8 | 黑镍平垫 M8 | 8 | |
| 24 | Q394B08-304H | Black nickel operculiform nut M8 | 黑镍盖形螺母 M8 | 4 | |
| 25 | Q2140640-304H | Black nickel cross slot pan head bolt M6×40 | 黑镍十字槽盘头螺栓 M6×40 | 10 | |
| 26 | Q40206-304H | Black nickel big washer M6 | 大垫圈 M6 | 10 | |
| 27 | Q40306-304H | Black nickel Spring washer M6 | 黑镍弹垫 M6 | 10 | |

| | | | | | |
|----|---------------|---|-----------------|----|--|
| 28 | #N/A | Hex head nut M6 | 2 型六角螺母 M6 | 10 | |
| 29 | Q2140640-304H | Black nickel cross slot pan head bolt M6×40 | 黑镍十字槽盘头螺栓 M6×40 | 4 | |
| 30 | Q40006-304H | Black nickel flat washer M6 | 黑镍平垫 M6 | 8 | |
| 31 | Q40306-304H | Black nickel Spring washer M6 | 黑镍弹垫 M6 | 4 | |
| 32 | Q394B06-304H | Black nickel operculiform nut M6 | 黑镍盖形螺母 M6 | 4 | |
| 33 | 2024-5606004 | Canopy bracket cap | 端盖-方管堵块 | 4 | |
| 34 | 5701041-036 | #1 jacket for caddie handle | #1 球童拉手夹套 | 2 | |
| 35 | 5701042-036 | #2 jacket for caddie handle | #2 球童拉手夹套 | 2 | |

EG2068K CANOPY KIT (EG2068K 顶棚)

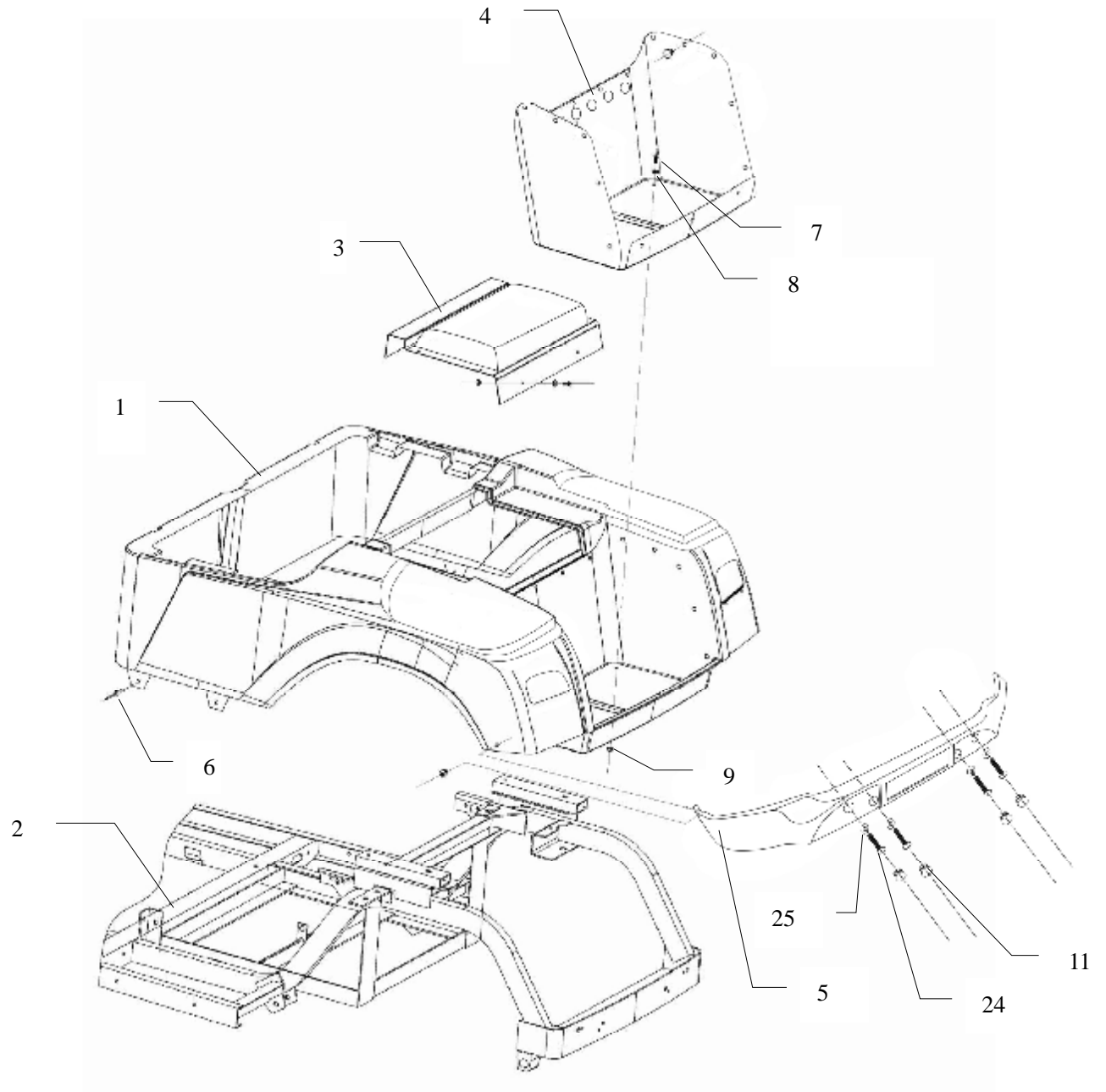


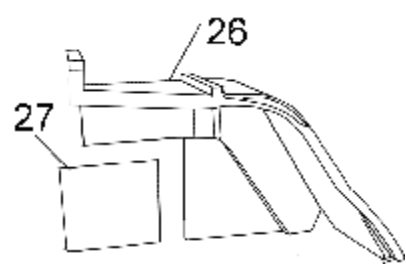
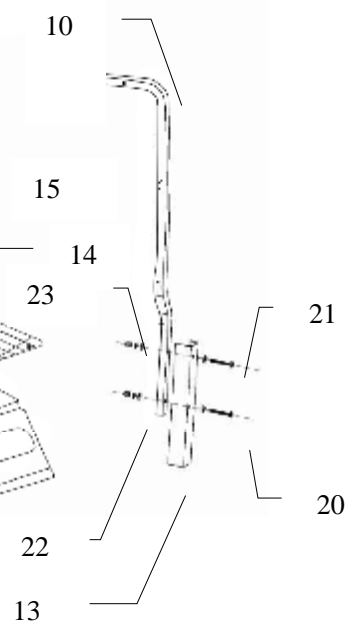
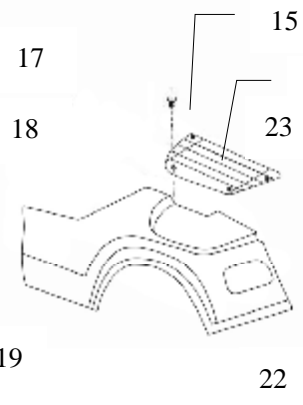
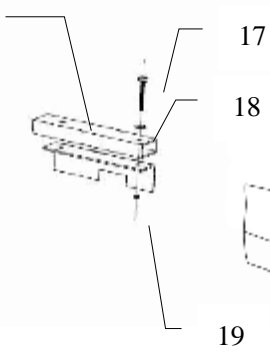
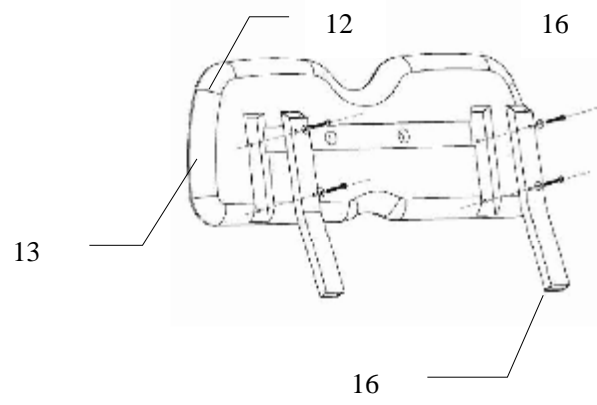
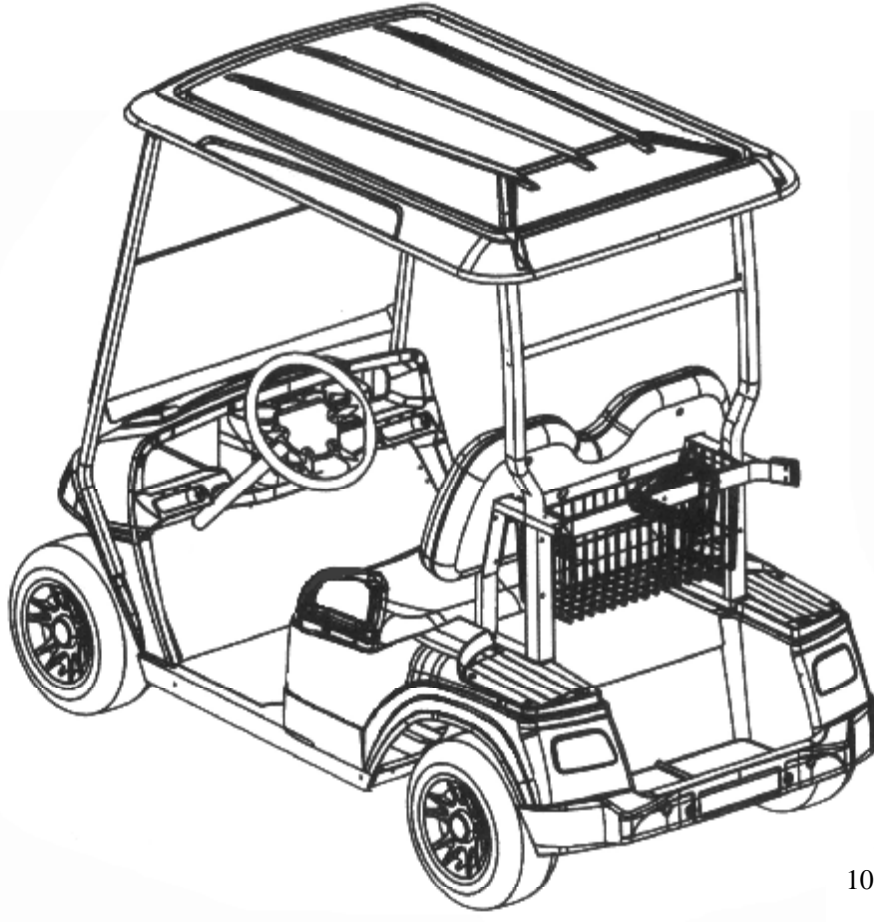
EG2068K CANOPY KIT (EG2068K 顶棚)

| Item | Part No | Description | 中文名称 | Qty | Remark |
|------|-----------------|------------------------------|-------------|-----|--------|
| 1 | 5702010-045-A0 | Canopy (Pure white) | 顶棚 (纯白) | 1 | |
| | 5702010-045-A6 | Canopy (3013 green) | 顶棚 (3013 绿) | | |
| | 5702010-045-A9 | Canopy (Coca cola red) | 顶棚 (可口可乐红) | | |
| | 5702010-045-A8 | Canopy (Pure black) | 顶棚 (纯黑) | | |
| | 5702010-045-A7 | Canopy (Metallic green) | 顶棚 (金属绿) | | |
| | 5702010-045-A11 | Canopy (Champagne) | 顶棚 (香槟色) | | |
| | 5702010-045-A13 | Canopy (Navy blue) | 顶棚 (警蓝) | | |
| 2 | 5701061-040 | upper bracket | 顶棚上支架 | 1 | |
| 3 | 5701011-043 | Front bracket (Carbon steel) | 顶棚前支架(碳钢) | 1 | |
| | 5701011-044 | Front bracket (STS) | 顶棚前支架(不锈钢) | 1 | |
| | 5701011-045 | Front bracket (Aluminum) | 顶棚前支架(铝) | 1 | |
| 4 | 5701031-043 | Caddie handle(Carbon Steel) | 球童拉手(碳钢) | 1 | |
| | 5701031-044 | Caddie handle(STS) | 球童拉手(不锈钢) | 1 | |

| | | | | | |
|----|----------------|--|-----------------|----|-------------|
| | 5701031-045 | Caddie handle (Aluminum) | 球童拉手(铝) | | |
| 5 | 5701021-050 | Rear bracket(Carbon Steel) | 顶棚后立柱(碳钢) | 2 | Eudipleural |
| | 5701021-051 | Rear bracket(STS) | 顶棚后立柱(不锈钢) | 2 | Eudipleural |
| | 5701021-052 | Rear bracket (Aluminum) | 顶棚后立柱 (铝) | 2 | Eudipleural |
| 6 | Q2140640-304H | Black nickel cross slot pan head bolt M6×40 | 黑镍十字槽盘头螺栓 M6×40 | 4 | |
| 7 | #N/A | Black nickel flat washer M6 | 黑镍平垫 M6 | 8 | |
| 8 | Q40306-304H | Black nickel Spring washer M6 | 黑镍弹垫 M6 | 4 | |
| 9 | Q394B06-304H | Black nickel operculiform nut M6 | 黑镍盖形螺母 M6 | 4 | |
| 10 | Q150B0865-304H | Hex head bolt M8×65 | 六角头螺栓 M8×65 | 2 | |
| 11 | 2024-5601002 | rubber cushion | 小垫块(橡胶垫) | 6 | |
| 12 | Q40208-304H | Black nickel big washer M8 | 大垫圈 M8 | 2 | |
| 13 | Q40208-304H | Black nickel Spring washer M8 | 黑镍弹垫 M8 | 2 | |
| 14 | Q40108-304H | Black nickel flat washer M8 | 黑镍平垫 M8 | 2 | |
| 15 | Q394B08-304H | Black nickel operculiform nut M8 | 黑镍盖形螺母 M8 | 2 | |
| 16 | Q2140640-304H | Black nickel cross slot pan head screw M6×40 | 黑镍十字槽盘头螺钉 M6×40 | 10 | |
| 17 | Q40206-304H | Black nickel big washer M6 | 大垫圈 M6 | 10 | |
| 18 | Q40306-304H | Black nickel Spring washer M6 | 黑镍弹垫 M6 | 10 | |
| 19 | Q150B0865-304H | Black nickel hex head bolt M8×65 | 六角头螺栓 M8×65 | 3 | |
| 20 | Q40108-304H | Black nickel flat washer M8 | 黑镍平垫 M8 | 6 | |
| 21 | Q40308-304H | Black nickel Spring washer M8 | 黑镍弹垫 M8 | 3 | |
| 22 | Q394B08-304H | Black nickel operculiform nut M8 | 黑镍盖形螺母 M8 | 3 | |
| 23 | Q150B0865-304H | Hex head bolt M8×65 | 六角头螺栓 M8×65 | 4 | |
| 24 | Q40208-304H | Black nickel Spring washer M8 | 黑镍弹垫 M8 | 4 | |
| 25 | 2024-5601002 | rubber cushion | 小垫块(橡胶垫) | 12 | |
| 26 | Q40208-304H | Black nickel big washer M8 | 大垫圈 M8 | 4 | |
| 27 | Q40108-304H | Black nickel flat washer M8 | 黑镍平垫 M8 | 4 | |
| 28 | 2024-5606004 | Canopy bracket cap | 端盖-方管堵块 | 4 | |
| 29 | 5202170-002 | Roof handle | 顶棚拉手 | 5 | |
| 30 | 5701041-036 | #1 jacket for caddie handle | #1 球童拉手夹套 | 2 | |
| 31 | 5701042-036 | #2 jacket for caddie handle | #2 球童拉手夹套 | 2 | |

1-4 Rear Cover (后车身)



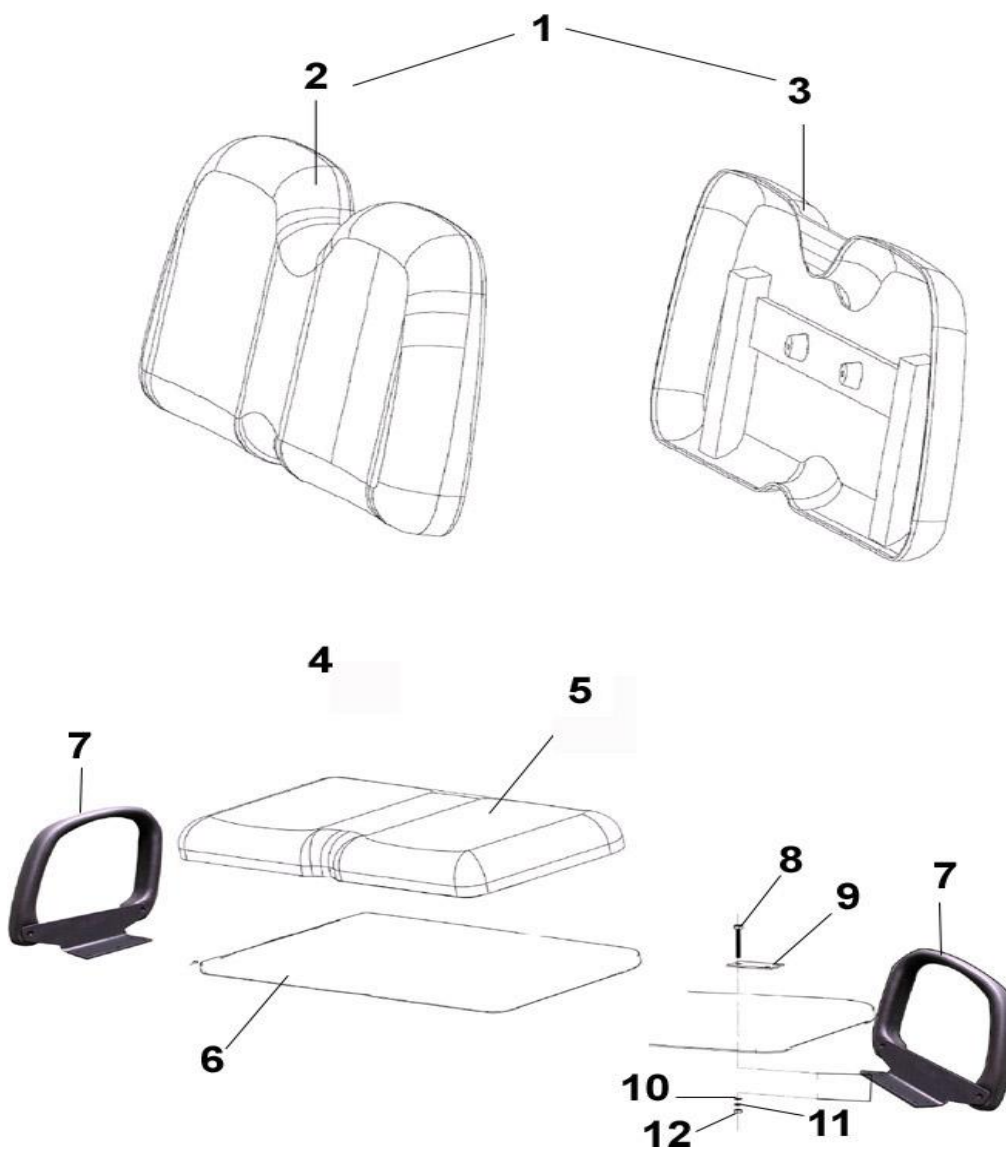


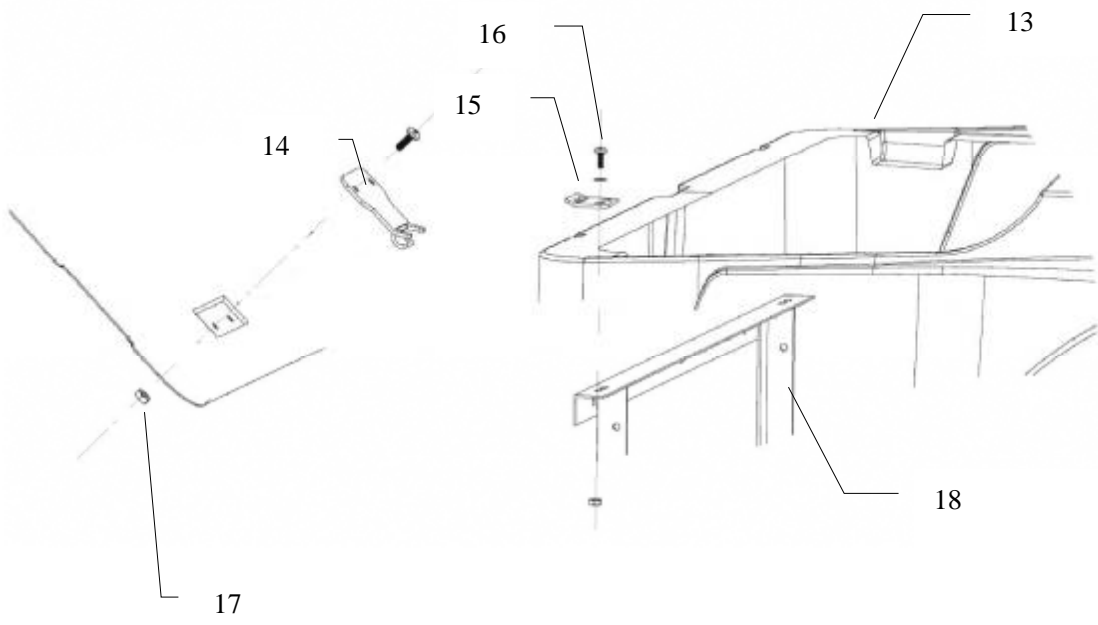
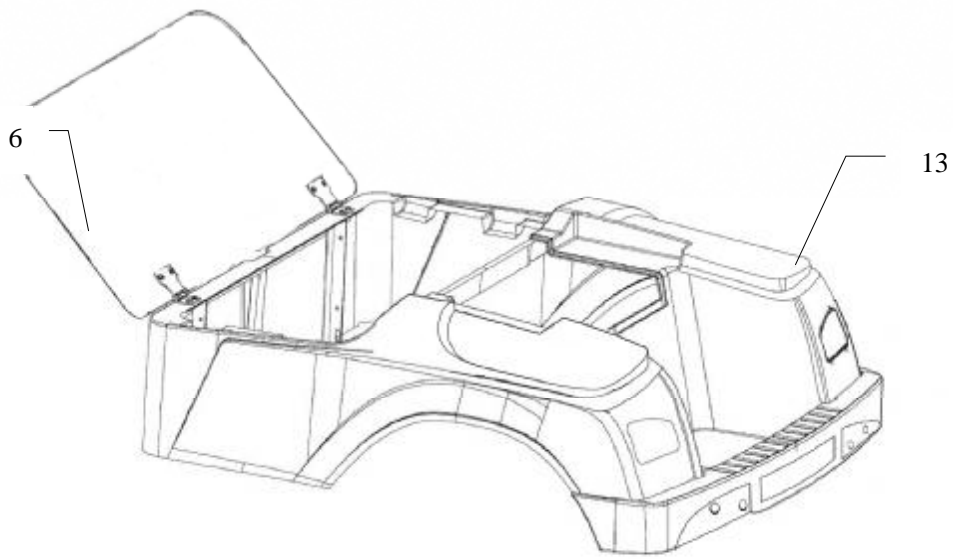
1-4 Rear Cover(后车身)

| Item | Part No | Description | 中文名称 | Qty | Remark |
|------|----------------|--|----------------------------------|-----|-------------|
| 1 | 5402010-036 | Rear cover (no paint) | 后罩(不含油漆) | 1 | |
| | 5402010-036-A0 | Rear cover (3013 green) | 后罩(3013 绿) | | |
| | 5402010-036-A3 | Rear cover (Pure white) | 后罩(纯白) | | |
| | 5402010-036-A4 | Rear cover (Pure black) | 后罩(纯黑) | 1 | |
| | 5402010-036-A5 | Rear cover (Coca cola red) | 后罩(可口可乐红) | 1 | |
| | 5402010-036-A1 | Rear cover (metallic green) | 后罩(金属绿) | 1 | |
| | 5402010-036-A7 | Rear cover (Champagne) | 后罩(香槟色) | | |
| | 5402010-036-A9 | Rear cover (Navy blue) | 后罩(警车蓝) | 1 | |
| 2 | | Frame assembly | 车架总成 | 1 | |
| 3 | 5402041-036 | Motor Access | 电机检修盖 | 1 | |
| 4 | 5402031-036 | Back box safety mat | 后舱保护垫 | 1 | |
| 5 | 5406110-010 | Rear bumper | 后保险杠 | 1 | |
| 6 | Q4400518H | Blind Rivet $\Phi 5 \times 18$ | 开口型扁圆头抽芯铆钉 $\Phi 5 \times 18$ | 4 | |
| 7 | Q2140645-304H | Black nickel cross slot bolt M6 \times 35 | 黑镍十字槽螺栓 M6 \times 45 | 2 | |
| 8 | Q40206-304H | Black nickel big washer M6 | 黑镍大垫圈 M6 | 2 | |
| 9 | Q32606-304H | Lock nut M6 | 2 型非金属嵌件六角琐 紧螺母 M6 | 2 | |
| 10 | 2028-5601011 | Rear bracket (Carbon steel) | 顶棚后立柱(碳钢) | 2 | Eudipleural |
| | 5701021-037 | Rear bracket (STS) | 顶棚后立柱(不锈钢) | 2 | Eudipleural |
| 11 | 5406121-010 | Rubber plug for rear bumper | 后保险杠胶塞 | 4 | |
| 12 | 7106100-036 | Seat back cushion | 靠背垫 | 1 | |
| 13 | 7106111-036 | Seat back cover (plastic) | 靠背罩(黑色塑料) | 1 | |
| | 7106111-036-A1 | Seat back cover (timber) | 靠背罩(桃木) | 1 | |
| 14 | 5402021-036 | Fender scuffguard | 脚踏垫 | 2 | Eudipleural |
| 15 | AIC-JL-001 | Button | 按钮 | 8 | |
| 16 | 7107011-036 | Seat back support (carbon steel) | 靠背支架(碳钢) | 2 | Eudipleural |
| | 7107011-037 | Seat back support (STS) | 靠背支架(不锈钢) | 2 | Eudipleural |
| 17 | Q150B0850-304H | Black nickel bolt M8 \times 50 | 六角头螺栓 M8 \times 50 | 4 | |
| 18 | Q40208-304H | Black nickel big washer M8 | 黑镍大垫圈 M8 | 4 | |
| 19 | Q32608-304 | Locknut M8 | 2 型非金属嵌件六角琐 紧螺母 M8 | 4 | |
| 20 | Q150B0865-304H | Black nickel bolt M8 \times 65 | 六角头螺栓 M8 \times 65 | 4 | |
| 21 | Q40108-304H | Black nickel washer M8 | 黑镍平垫 M8 | 8 | |
| 22 | Q40308-304H | Black nickel Spring washer M8 | 黑镍弹垫 M8 | 4 | |
| 23 | Q394B08-304H | Black nickel operculiform nut M8 | 黑镍盖形螺母 M8 | 4 | |

| | | | | | |
|----|--------------|---|--------------------|---|-------------|
| 24 | Q2620616 | Cross slot self-tapping and self-lock screw M6x16 | 十字槽自攻自锁螺钉 M6x16 | 4 | |
| 25 | Q40206-304H | Big washer | 大垫圈 | 4 | |
| 26 | 9005111-053 | Mudguard 编码需要查证 | 挡泥板 | 2 | Eudipleural |
| 27 | 2024-9005002 | Mudguard fender 部件是否有 需要查证 | 挡泥板挡板 | 2 | Eudipleural |

1-5 Backrest(靠背)、Seat(座椅)



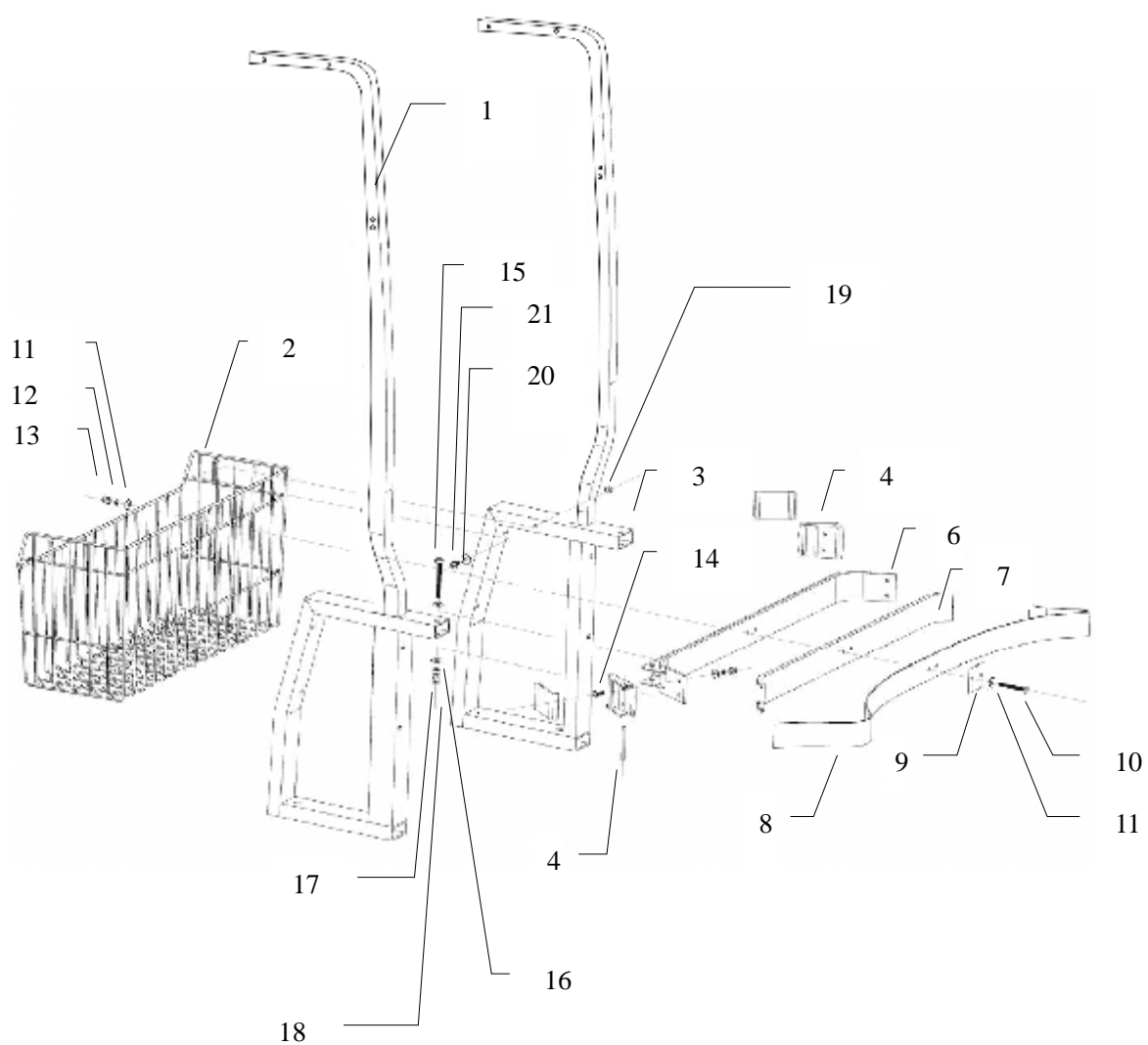


1-5 Backrest(靠背)、Seat(座椅)

| Item | Part No | Description | 中文名称 | Qty | Remark |
|------|----------------|--|--------------------|-----|--------|
| 1 | | Seat back assembly (include 2,3) | 靠背总成(含 2,3) | 1 | |
| 2 | 7106100-036 | Seat back cushion | 靠背垫 | 1 | |
| 3 | 7106111-036 | Seat back cover (plastic) | 靠背罩 (黑色塑料) | 1 | |
| | 7106111-036-A1 | Seat back cover (timber) | 靠背罩 (桃木) | 1 | |
| 4 | | Seat cushion assembly (include 5-12) | 座椅总成(包含 5-12) | 1 | |
| 5 | 7101100-036 | Seat cushion | 坐垫 | | |
| 6 | 7101110-036 | Seat cover (plastic) | 坐垫底板 | 1 | — |
| 7 | 7109100-036 | Arm rest | 座椅扶手 | 2 | |
| 8 | Q2620630 | Cross slot round head screw M6×30 | 十字槽大半圆头自攻螺钉 M6x30 | 10 | |
| 9 | | Inter iron (included in item 4) | 坐垫扶手埋铁 | 2 | |
| 10 | Q40106-304H | Black nickel washer M6 | 黑镍平垫 M6 | 12 | |
| 11 | Q40306-304H | Black nickel Spring washer M6 | 黑镍弹垫 M6 | 12 | |
| 12 | Q340B06-304H | Black nickel nut M6 | 黑镍普通螺母 M6 | 12 | |
| 13 | 5402010-036 | Rear cover (no paint) | 后罩(不含油漆) | 1 | |
| | 5402010-036-A0 | Rear cover (3013 green) | 后罩(3013 绿) | | |
| | 5402010-036-A3 | Rear cover (Pure white) | 后罩(纯白) | | |
| | 5402010-036-A4 | Rear cover (Pure black) | 后罩(纯黑) | | |
| | 5402010-036-A5 | Rear cover (Coca cola red) | 后罩(可口可乐红) | | |
| | 5402010-036-A1 | Rear cover (metallic green) | 后罩(金属绿) | | |
| | 5402010-036-A7 | Rear cover (Champagne) | 后罩(香槟色) | | |
| | 5402010-036-A9 | Rear cover (Navy blue) | 后罩(警车蓝) | | |
| 14 | 7107231-002 | Upper piece of gemel | 座椅铰链(上片) | 2 | |
| 15 | 7107241-002 | Lower piece of gemel | 座椅铰链(下片) | 2 | |
| 16 | Q2140620-304H | Stainless steel cross slot pan head bolt M6×20 | 黑镍十字槽盘头螺钉 M6×20 | 4 | |
| 17 | Q32606-304H | Lock hex head nut M6 | 2 型非金属嵌件六角头锁紧螺母 M6 | 4 | |
| 18 | 5111030-023 | Seat frame | 座椅支架 | 1 | |

1-6 Rear Kits

Sweater basket(可拆卸行李架)、Bag strap(球包带)

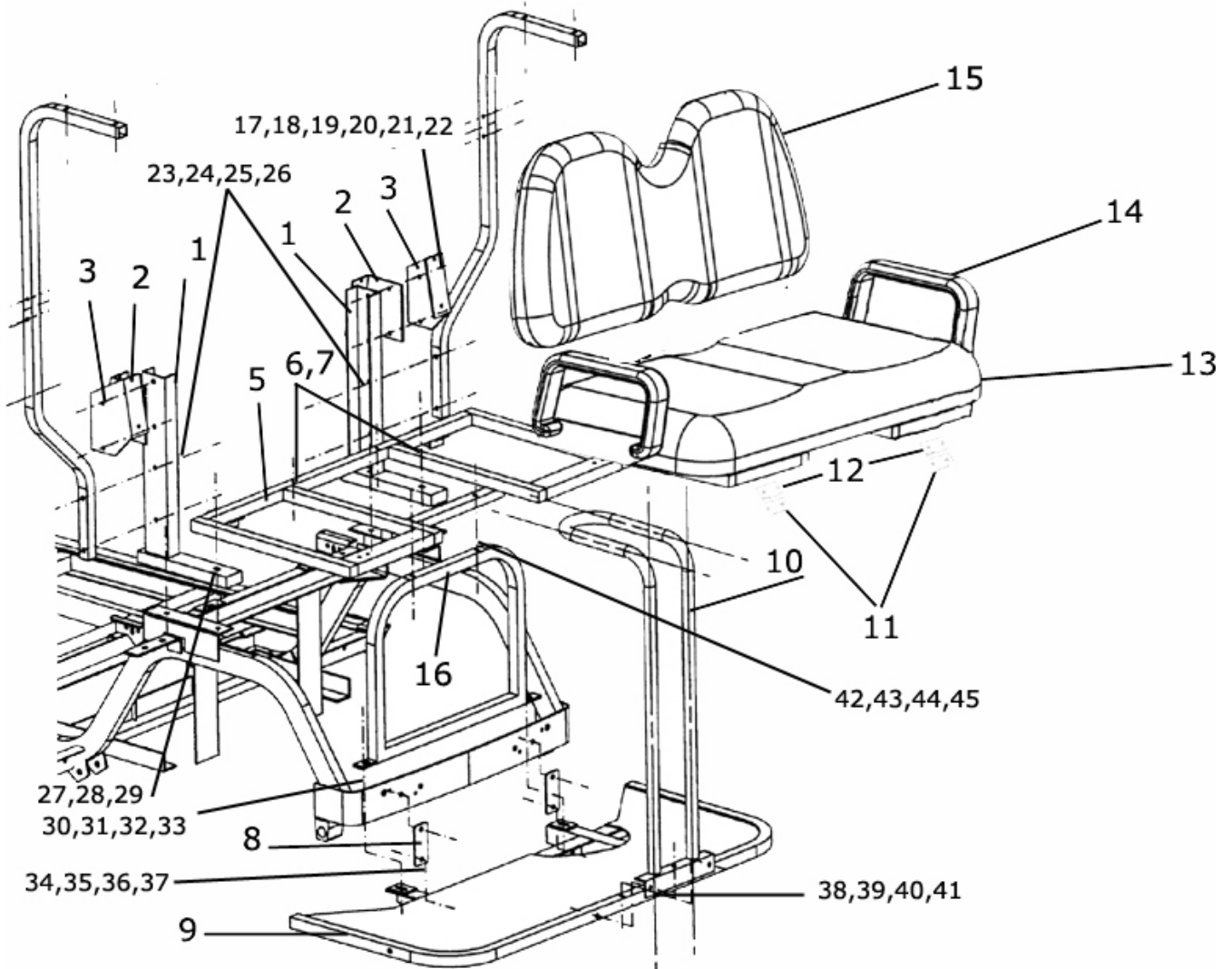


1-6 Rear Kits

Sweater basket(可拆卸行李架)、Bag strap(球包带)

| Item | Part No | Description | 中文名称 | Qty | Remark |
|------|----------------|--|-------------------|-----|-------------|
| 1 | 2028-5601011 | Rear bracket (Carbon steel) | 顶棚后立柱 (碳钢) | 2 | Eudipleural |
| | 5701021-037 | Rear bracket (STS) | 顶棚后立柱 (不锈钢) | 2 | Eudipleural |
| 2 | 5405200-036 | Sweater Basket (Carbon Steel) | 衣物篮 (碳钢) | 1 | |
| | 5405200-037 | Sweater Basket (STS) | 衣物篮 (不锈钢) | 1 | |
| 3 | 7107011-036 | Seat back support(carbon steel) | 靠背支架 (碳钢) | 2 | |
| | 7107011-037 | Seat back support(STS) | 靠背支架 (不锈钢) | 2 | |
| 4 | 5405130-036 | Bag Strap Clip | 球包带夹 | 2 | |
| 6 | 5405110-036 | Sweater Basket frame | 球包支架 | 1 | |
| 7 | 5405121-036 | Basket frame rubber strip | 球包支架胶条 | 1 | |
| 8 | 5405122-036 | Bag strap | 球包带 | 1 | |
| 9 | 5405123-036 | Bag strap plate | 球包带压板 | 1 | |
| 10 | Q2140655-304H | Black nickel cross slot pan head bolt M6×55 | 黑镍十字槽盘头螺栓 M6×55 | 2 | |
| 11 | Q40206-304H | Black nickel big washer M6 | 黑镍大垫圈 M6 | 10 | |
| 12 | Q40306-304H | Black nickel Spring washer M6 | 黑镍弹垫 M6 | 8 | |
| 13 | Q394B06-304H | Black nickel operculiform nut M6 | 黑镍盖形螺母 M6 | 8 | |
| 14 | Q2140620-304H | Stainless steel cross slot pan head bolt M6×20 | 十字槽盘头螺栓 M6×20 | 4 | STS |
| 15 | Q150B0845-304H | Black nickel hex head bolt M8×45 | 六角头螺栓 M8×45 | 2 | |
| 16 | Q40208-304H | Black nickel big washer M8 | 黑镍大垫圈 M8 | 4 | |
| 17 | Q40308-304H | Black nickel Spring washer M8 | 黑镍弹垫 M8 | 2 | |
| 18 | Q394B08-304H | Black nickel operculiform nut M8 | 黑镍盖形螺母 M8 | 2 | |
| 19 | Q2140620-304H | Stainless steel cross slot pan head bolt M6×20 | 黑镍十字槽盘头螺栓 M6×20 | 2 | |
| 20 | Q40204-304H | Big washer | 大垫圈 | 4 | |
| 21 | Q32606-304H | Locknut M6 | 2 型非金属嵌件六角琐紧螺母 M6 | 2 | |

EG2028KSF&EG2048KSF Jumper Seat(非折叠座椅)



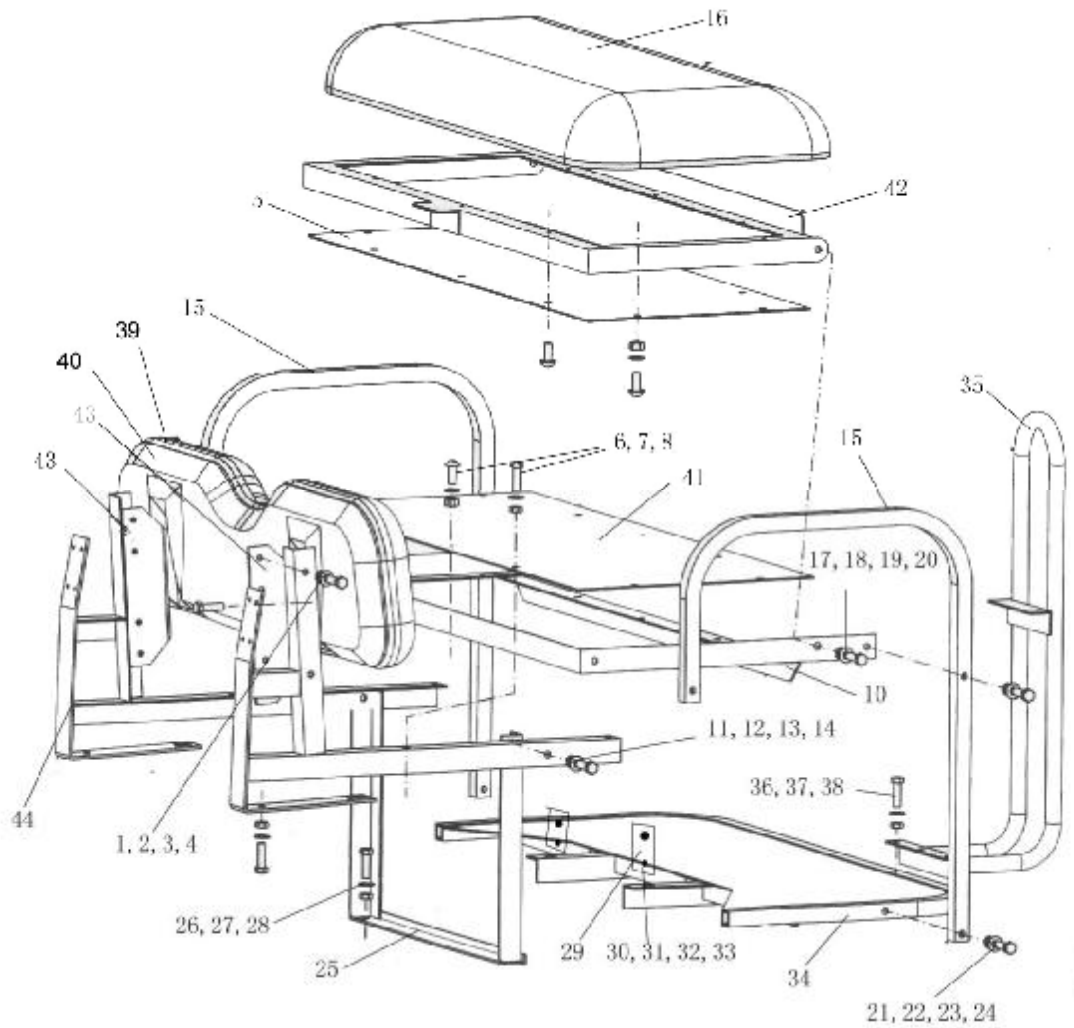
EG2028KSF&EG2048KSF Jumper Seat(非折叠座椅)

| Item | Part No | Description | 中文名称 | Qty | Remark |
|------|-------------|---------------------------|-------------------|-----|-------------|
| 1 | 5401110-038 | Main bracket of seat | 座椅主支架 | 1 | |
| 2 | 7107011-038 | Second row seat bracket | 第二排靠背支架 | 2 | Eudipleural |
| 3 | 7127011-038 | Third row of Seat bracket | 第三排靠背支架 | 2 | Eudipleural |
| 5 | 5401130-038 | Third row of Seat bracket | 第三排座垫支架 | 1 | |
| 6 | 7107212-002 | Seat ball socket | 座椅球窝 | 2 | |
| 7 | Q328B08 | Hex head lock nut M8 | 1 型非金属嵌件六角锁紧螺母 M8 | 2 | |
| 8 | 5402121-037 | Shackle plate | 吊耳片 | 2 | Eudipleural |
| 9 | 5402110-037 | Standing board | 折叠座椅站板 | 1 | |
| 10 | 7202010-038 | Standing board handrail | 后站板扶手 | 1 | |
| 11 | 7107231-002 | Underside piece of gemel | 座椅铰链下板 | 2 | Upper |

| | | | | | |
|------|----------------|---|---------------------|---|-------|
| 12 | 7107241-002 | Upside piece of gemel | 座椅铰链上板 | 2 | Lower |
| 13 | 7101100-036 | Assembly of Cushion | 坐垫总成 | 1 | |
| 13-1 | 7101110-036 | Seat cover (plastic) | 坐垫地板(塑料) | 1 | |
| 14 | 7109100-036 | Arm rest | 座椅扶手 | 2 | |
| 15 | 7106100-036 | Backrest cushion | 靠背垫 | 1 | |
| 15-1 | 2028-6501023 | cover for backrest(black plastic) | 靠背罩(黑色塑料) | 1 | |
| | 7106111-036-A1 | Seat back cover (timber) | 靠背罩(桃木) | 1 | |
| 16 | 5401140-038 | Seat frame | 后座下支架 | 1 | |
| 17 | Q2620630 | Yellow Zinc self-lock Screw M6x30 | 黄锌十字槽盘头自攻琐紧螺钉 M6×30 | 2 | |
| 18 | Q2140625-304H | Black nickel cross slot pan head bolt M6×25 | 黑镍十字槽盘头螺栓 M6×25 | 4 | |
| 19 | Q40206-304H | Black nickel big washer M6 | 大垫圈 M6 | 8 | |
| 20 | Q40106-304H | Black nickel flat washer M6 | 黑镍平垫 M6 | 4 | |
| 21 | Q40306-304H | Black nickel Spring washer M6 | 黑镍弹垫 M6 | 4 | |
| 22 | Q340B06-304H | Black nickel operculiform nut M6 | 1 型六角螺母 M6 | 4 | |
| 23 | Q2140845-304H | Black nickel cross slot pan head bolt M8×45 | 黑镍十字槽盘头螺栓 M8×45 | 2 | |
| 24、 | Q40208-304H | Black nickel big washer M8 | 大垫圈 M8 | 2 | |
| 25 | | | | | |
| 26 | Q32808 | Self-lock nut | 1 型非金属嵌件六角琐紧螺母 M8 | 2 | |
| 27 | Q150B0865-304H | Black nickel hex head bolt M8×65 | 六角头螺栓 M8×65 | 4 | |
| 28 | Q40208-304H | Black nickel big washer M8 | 大垫圈 M8 | 4 | |
| 29 | Q32808 | Black nickel hex head lock nut M8 | 1 型非金属嵌件六角琐紧螺母 M8 | 4 | |
| 30 | Q2140865-304H | Black nickel hex head bolt M8×65 | 六角头螺栓 M8×65 | 2 | |
| 31 | Q40108-304H | Black nickel washer M8 | 黑镍平垫 M8 | 4 | |
| 32 | Q40308-304H | Black nickel Spring washer M8 | 黑镍弹垫 M8 | 2 | |
| 33 | Q394B08-304H | Black nickel operculiform nut M8 | 黑镍盖形螺母 M8 | 2 | |
| 34 | Q150B845-304H | Black nickel hex head bolt M8×45 | 六角头螺栓 M8×45 | 2 | |
| 35、 | Q40208-304H | Black nickel big washer M8 | 大垫圈 M8 | 2 | |
| 36 | | | | | |
| 37 | Q32608 | Black nickel hex head lock nut M8 | 1 型非金属嵌件六角琐紧螺母 M8 | 2 | |

| | | | | | |
|-----------|---------------|--|-----------------------|---|--|
| 38 | Q150B1030-304 | Black nickel hex head bolt M10×30 | 六角头螺栓 M10×30 | 2 | |
| 39 | Q40110-304H | Black nickel flat washer M10 | 黑镍平垫 M10 | 4 | |
| 40 | Q40310-304H | Black nickel Spring washer M10 | 黑镍弹垫 M10 | 2 | |
| 41 | Q394B10-304H | Black nickel operculiform nut M10 | 黑镍盖形螺母 M10 | 2 | |
| 42 | Q2140845-304H | Black nickel cross slot pan head bolt M8×45 | 黑镍十字槽盘头螺栓 M8×45 | 3 | |
| 43、 44 | Q40208-304H | Black nickel big washer M8 | 大垫圈 M8 | 6 | |
| 45 | Q328B08 | Black nickel hex head lock nut M8 | 1 型非金属嵌件六角锁 紧螺母 M8 | 3 | |

Flip-flop Seat of EG2028KSZ&EG2048KSZ(折叠座椅)



Flip-flop Seat of EG2028KSZ&EG2048KSZ(折叠座椅)

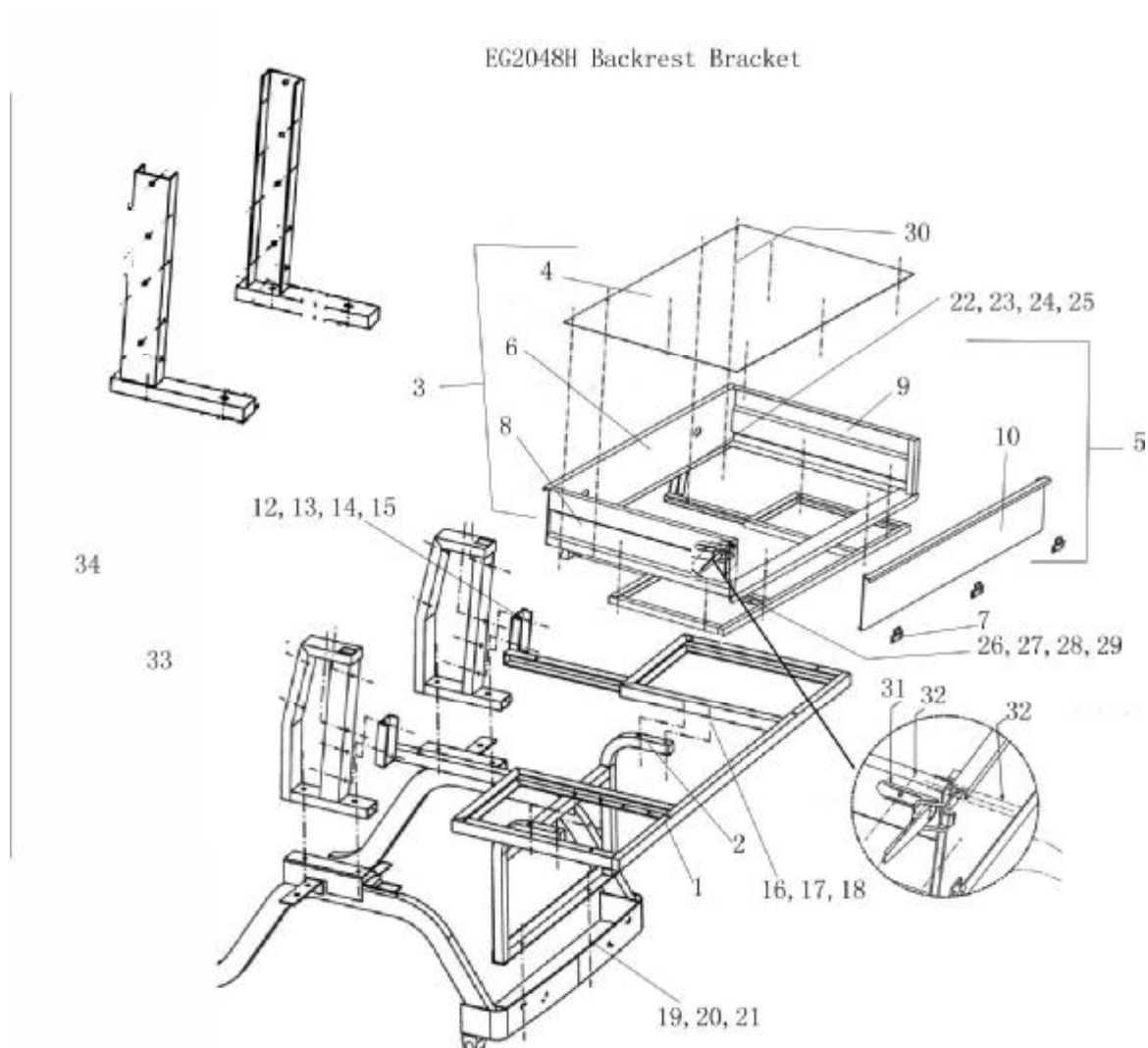
| Item | Part No | Description | 中文名称 | Qty | Remark |
|------|----------------|--|--------------------|-----|--------|
| 1 | Q150B0845-304H | Black nickel hex head bolt M8×45 | 六角头螺栓 M8×45 | 4 | |
| 2 | Q40108-304H | Black nickel flat washer M8 | 黑镍平垫 M8 | 8 | |
| 3 | Q40308-304H | Black nickel Spring washer M8 | 黑镍弹垫 M8 | 4 | |
| 4 | Q394B08-304H | Black nickel operculiform nut M8 | 黑镍盖形螺母 M8 | 4 | |
| 5 | 5401181-037 | Aluminum plate under cushion | 座垫铝板 | 1 | |
| 6 | Q2140830-304H | Black nickel cross slot pan head bolt M8×30 | 黑镍十字槽盘头螺栓 M8×30 | 4 | |

| | | | | |
|----|---------------------|---|-------------------|----|
| 7 | Q40208-304H | Black nickel big washer M8 | 大垫圈 M8 | 8 |
| 8 | Q340B08-304H | Black nickel hex head nut M8 | 1 型六角头螺母 M8 | 4 |
| 9 | Q273 | Cross slot Half head self-tapping screw | 蓝白十字槽大半圆头自攻钉 | 14 |
| 10 | 2026KSZ-7102045-004 | Flip-flop bracket | 翻转支架 | 1 |
| 11 | Q150B1030 | Black nickel hex head bolt M10×30 | 六角头螺栓 M10×30 | 4 |
| 12 | Q40110-304H | Black nickel flat washer M10 | 黑镍平垫 M10 | 4 |
| 13 | 2042-7102048 | Copper sleeve | 铜套 | 2 |
| 14 | Q394B10-304H | Black nickel operculiform nut M10 | 黑镍盖形螺母 M10 | 4 |
| 15 | 5401141-037 | Side armrest | 侧扶手 | 2 |
| 16 | 7120100-037 | Assembly of Cushion | 折叠座椅坐垫 | 1 |
| 17 | Q150B0840-304H | Black nickel hex head bolt M8×40 | 六角头螺栓 M8×40 | 4 |
| 18 | Q40108-304H | Black nickel flat washer M8 | 黑镍平垫 M8 | 8 |
| 19 | Q40308-304H | Black nickel Spring washer M8 | 黑镍弹垫 M8 | 4 |
| 20 | Q394B08-304H | Black nickel operculiform nut M8 | 黑镍盖形螺母 M8 | 4 |
| 21 | Q150B0865-304H | Black nickel hex head bolt M8×65 | 六角头螺栓 M8×65 | 4 |
| 22 | Q40108-304H | Black nickel flat washer M8 | 黑镍平垫 M8 | 8 |
| 23 | Q40308-304H | Black nickel Spring washer M8 | 黑镍弹垫 M8 | 4 |
| 24 | Q32608 | Hex head lock nut M8 | 2 型非金属嵌件六角锁紧螺母 M8 | 4 |
| 25 | 5401130-037 | Seat frame | 座椅底支架 | 1 |
| 26 | Q2140845-304H | Black nickel cross slot pan head bolt M8×45 | 黑镍十字槽盘头螺栓 M8×45 | 2 |
| 27 | Q40208-304H | Black nickel big washer M8 | 大垫圈 M8 | 4 |
| 28 | Q32608 | Hex head lock nut M8 | 2 型非金属嵌件六角锁紧螺母 M8 | 2 |
| 29 | 5402121-037 | Shackle plate | 吊耳片 | 2 |
| 30 | Q150B1030 | Black nickel hex head bolt M10×30 | 六角头螺栓 M10×30 | 2 |
| 31 | Q40110-304H | Black nickel flat washer M10 | 黑镍平垫 M10 | 4 |
| 32 | Q40310-304H | Black nickel Spring washer M10 | 黑镍弹垫 M10 | 2 |
| 33 | Q340B10-304H | Black nickel hex head nut M10 | 1 型六角头螺母 M10 | 2 |
| 34 | 5402110-037 | Rear Standing board | 折叠座椅站板 | 1 |
| 35 | 2026KSZ-7101020-002 | Rear standing board handrail | 后站板扶手 | 1 |

| | | | | | |
|----|---------------------|--|-----------------------|---|-------------|
| 36 | Q150B0845-304H | Black nickel hex head bolt M8×45 | 六角头螺栓 M8×45 | 2 | |
| 37 | Q40208 | Black nickel big washer M8 | 大垫圈 M8 | 4 | |
| 38 | Q32608 | Black nickel hex head lock nut M10 | 2 型非金属嵌件六角锁 紧螺母 M8 | 2 | |
| 39 | 7106100-036 | Backrest cushion | 靠背垫 | 1 | |
| 40 | 2028-6501023 | Backrest cover (plastic) | 靠背罩(塑料) | 1 | |
| | 7106111-036-A1 | Backrest cover (timber) | 靠背罩(桃木) | 1 | |
| 41 | 2026KSZ-7102046-004 | Aluminum plate on flip-flop bracket | 翻转支架铝板 | 1 | |
| 42 | 5401170-037 | Cushion bracket | 座垫支架 | 1 | |
| 43 | 7127011-037 | Seat back sub-bracket | 折叠座椅靠背支架 | 2 | Eudipleural |
| 44 | 5401110-037 | Seat back main bracket | 座椅主支架 | 1 | |

Rear Short Cargo Box of EG2028H and EG2048H

(EG2028H&EG2048H 后货箱)



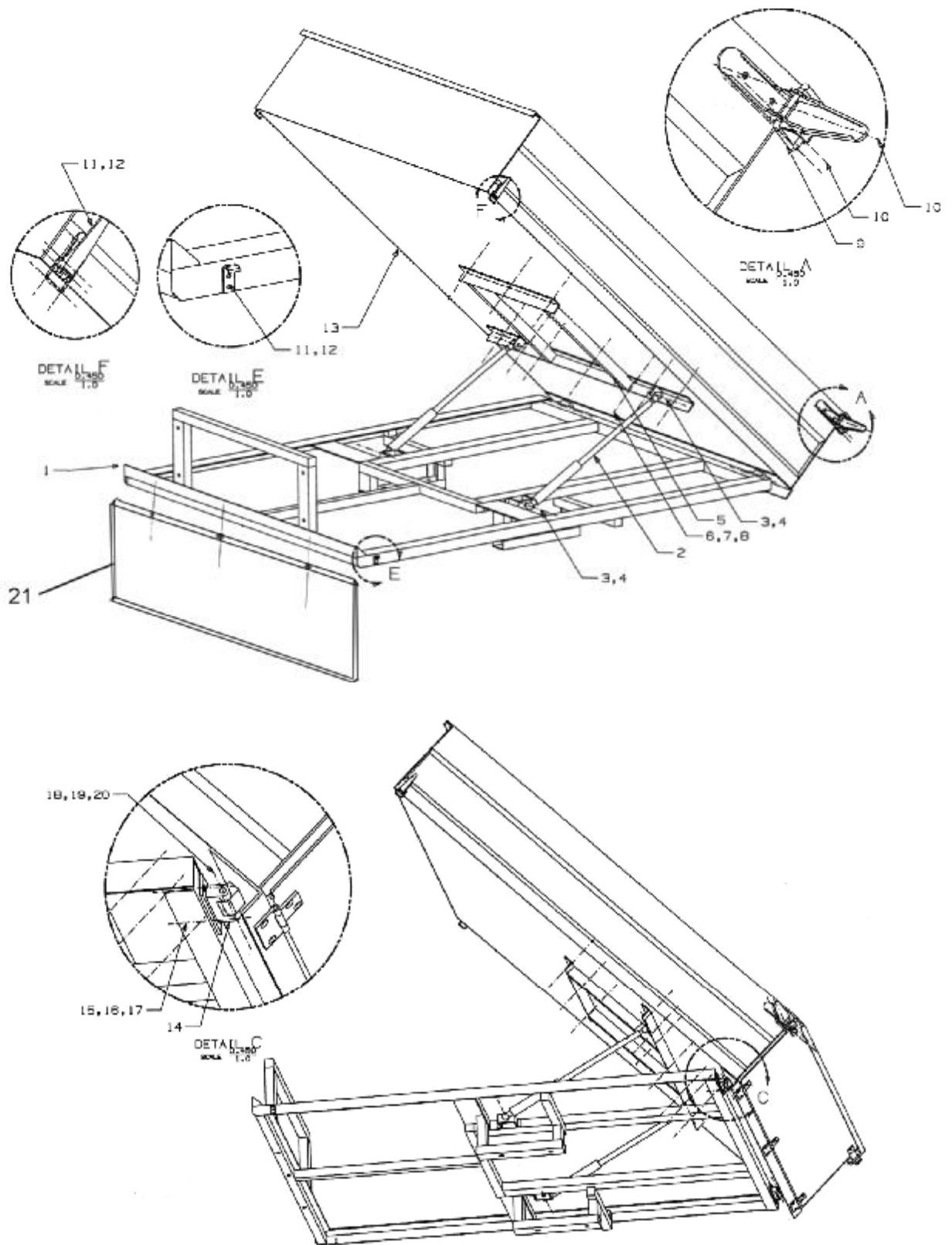
Rear Short Cargo Box of EG2028H and EG2048H

(EG2028H&EG2048H 后货箱)

| Item | Part No | Description | 中文名称 | Qty | Remark |
|------|-------------------|--|----------------------------|-----|---------|
| 1 | 2028H-5505220-002 | cargo box bracket EG2028H | 货箱支架 EG2028H | 1 | EG2028H |
| | 2048H-5505200-002 | cargo box bracket EG2048H | 货箱支架 EG2048H | | EG2048H |
| 2 | 8115010-039 | cargo box bracket support | 货箱支架支撑 | 1 | |
| 3 | 8100000-039 | Cargo box assembly EG2028H (include item1, 4-10) | EG2028H 货箱总成 (含 1,4-10) | | EG2028H |
| | 8100000-043 | Cargo box assembly EG2048H (include item1, 4-10) | EG2048H 货箱总成 (含 1,4-10) | | EG2048H |

| | | | | | |
|----|--------------------|---|-------------------|----|--|
| | | 4-10) | | | |
| 4 | 2028H-5505211-002 | bottom plate of cargo box | 货箱底板 | 2 | |
| 5 | 2028H-5505210-001 | cargo box frame (exclude alumimum plate) | 货箱箱体总成 | 1 | |
| 6 | 2028H-5505212-002 | Front plate of cargo box | 货箱板前板 | 1 | |
| 7 | 2044TX2-5103238f | Hinger (weld) | 铰链 | 2 | |
| 8 | 2026TX-5505214-001 | Left plate of cargo box | 货箱板左侧板 | 1 | |
| 9 | 2026TX-5505213-001 | Right plate of cargo box | 货箱板右侧板 | 1 | |
| 10 | 2044TX2-5103232f | Rear turnover plate of cargo box | 货箱后翻板 | 1 | |
| 12 | Q150B0825-304H | Hex head bolt M8x25 | 六角头螺栓 M8×25 | 4 | |
| 13 | Q40108-304H | Flat washer M8 | 平垫圈 M8 | 8 | |
| 14 | Q40308-304H | Spring washer M8 | 弹垫 M8 | 4 | |
| 15 | Q340B08-304H | Hex head nut M8 | 1 型六角螺母 M8 | 4 | |
| 16 | Q2140640-304H | Black nickel cross slot pan head bolt M6×40 | 十字槽盘头螺栓 M6×40 | 4 | |
| 17 | Q40106-304H | Flat washer M6 | 平垫圈 M6 | 8 | |
| 18 | Q32606 | Hex head lock nut M6 | 2 型非金属嵌件六角锁紧螺母 M6 | 4 | |
| 19 | Q150B0845-304H | Hex head bolt M8x45 | 六角头螺栓 M8×45 | 2 | |
| 20 | Q40208-304H | Big washer M8 | 大垫圈 M8 | 4 | |
| 21 | Q32608 | Self-lock nut M8 | 2 型非金属嵌件自锁螺母 M8 | 2 | |
| 22 | Q150B0625-304H | Bolt M6x25 | 螺栓 M6×25 | 11 | |
| 23 | Q40206-304H | Big washer M6 | 大垫圈 M6 | 11 | |
| 24 | Q40106-304H | Flat washer M6 | 平垫圈 M6 | 11 | |
| 25 | Q32606 | Hex head lock nut M6 | 2 型非金属嵌件六角锁紧螺母 M6 | 11 | |
| 26 | Q2140645-304H | Black nickel cross slot pan head bolt M6×45 | 黑镍十字槽盘头螺钉 M6×45 | 2 | |
| 27 | Q40206-304H | Big washer M8 | 大垫圈 M6 | 2 | |
| 28 | Q40106-304H | Flat washer M6 | 平垫圈 M6 | 2 | |
| 29 | Q32606 | Hex head lock nut M6 | 2 型非金属嵌件六角锁紧螺母 M6 | 2 | |
| 30 | Q2710635 | Cross slot pan head rivet M6x35 | 蓝白十字槽盘头自攻钉 M6×35 | 4 | |
| 31 | 2044TX2-5103255f | Cargo box plate tache | 箱板搭扣 | 2 | |
| 32 | Q4400518-H | Blind rivet M6x18 | 开口型扁圆头抽芯铆钉 M5×18 | 10 | |
| 33 | 7107011-039 | EG2028H backrest bracket | EG2028H 靠背支架 | 2 | |
| 34 | 5401110-043 | EG2048H backrest bracket | EG2048H 靠背支架 | 2 | |

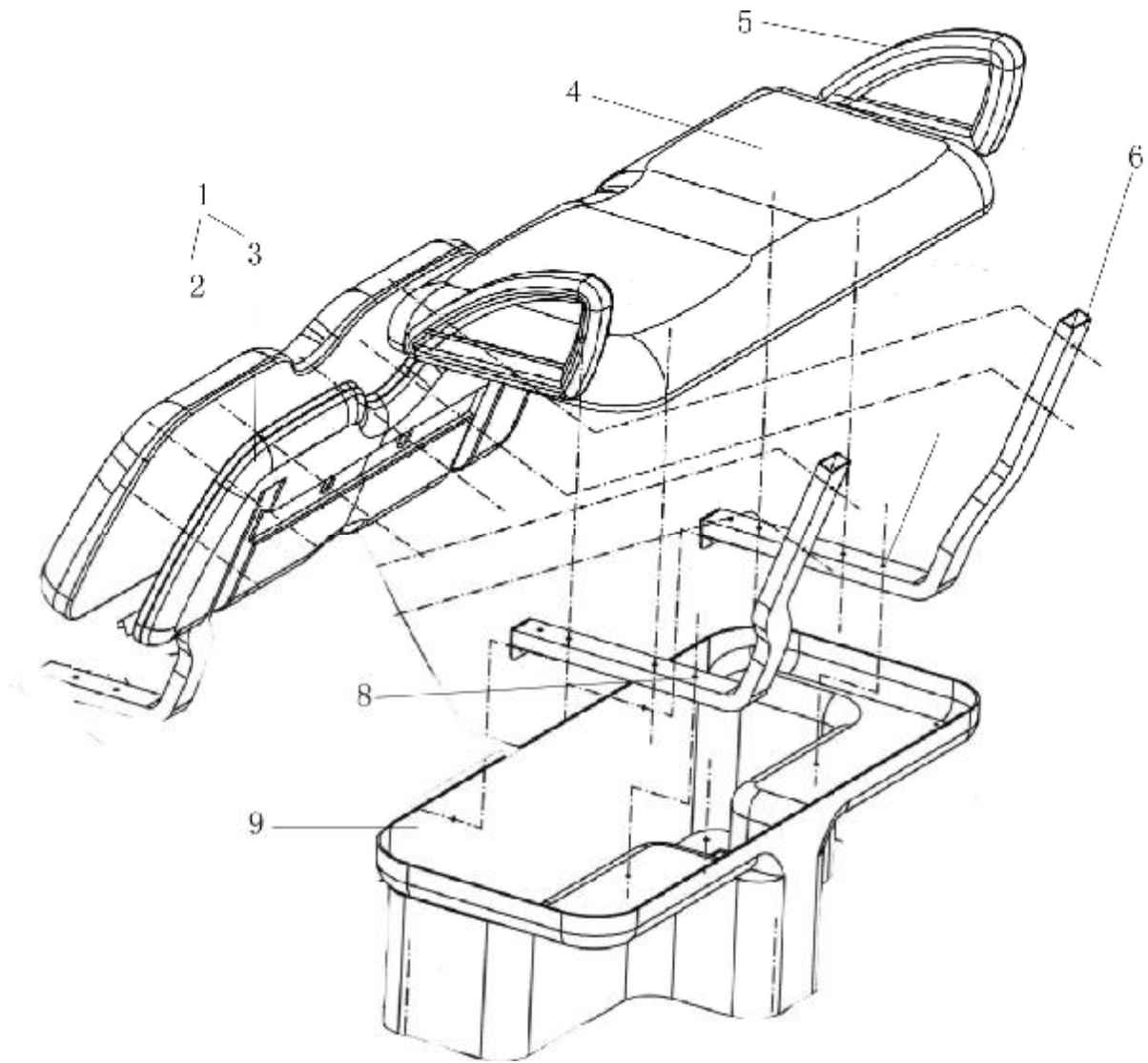
Rear Long Cargo Box of EG2048HCX(EG2048HCX 长货箱)



Rear Long Cargo Box of EG2048HCX(EG2048HCX 长货箱)

| Item | Part No | Description | 中文名称 | Qty | Remark |
|------|------------------|--|-----------------------|-----|---------------|
| 1 | 8115210-044 | Cargo box bracket | 货箱支架 | 1 | |
| 2 | 8115230-044 | Air-press spring | 气弹簧 | 2 | 30Kg 500mm |
| 3 | Q40108-304H | Washer M8 | 平垫 M8 | 4 | |
| 4 | Q32608 | Hex head lock nut M8 | 2 型非金属嵌件六角琐 紧螺母 M8 | 4 | |
| 5 | 2044TX2-5103234f | Bottom plate bracket | 底板支架 | 1 | |
| 6 | Q2140620-304H | Black nickel cross slot pan head bolt M6X20 | 黑镍十字槽盘头螺栓 M6×20 | 10 | |
| 7 | Q40106-304H | Flat washer M6 | 平垫 M6 | 20 | |
| 8 | Q32606 | Hex head lock nut M8 | 2 型非金属嵌件六角琐 紧螺母 M8 | 10 | |
| 9 | 2044TX2-5103255f | Cargo box tache | 箱板搭扣 | 2 | |
| 10 | Q4400518 | Blind rivet M5X18 | 开口型扁圆头抽芯铆钉 M5×18 | 10 | |
| 11 | 2044TX2-5103260f | Cargo box tache | 货箱搭扣 | 2 | |
| 12 | Q4400518 | Blind rivet M5X18 | 开口型扁圆头抽芯铆钉 M5×18 | 8 | |
| 13 | 8100000-044 | Cargo box | 货箱总成 | 1 | |
| 14 | 2044TX2-5103218f | Low hinger | 铰链 1 下 | 2 | |
| 15 | Q2140650-304H | Black nickel cross slot pan head bolt M6X50 | 黑镍十字槽盘头螺栓 M6×50 | 4 | |
| 16 | Q40006-304H | Washer Ring M6 | 小垫圈 M6 | 8 | |
| 17 | Q32606 | Hex head lock nut M6 | 2 型非金属嵌件六角琐 紧螺母 M6 | 4 | |
| 18 | Q150B0675-304H | Hex head bolt M6X75 | 六角螺栓 M6×75 | 2 | |
| 19 | Q40106-304H | Flat washer M6 | 平垫 M6 | 4 | |
| 20 | Q32606 | Self-lock nut M6 | 非金属嵌件自锁螺母 M6 | 4 | |
| 21 | 8115210-044 | Cargo box support bracket | 货箱下支架 | 1 | |

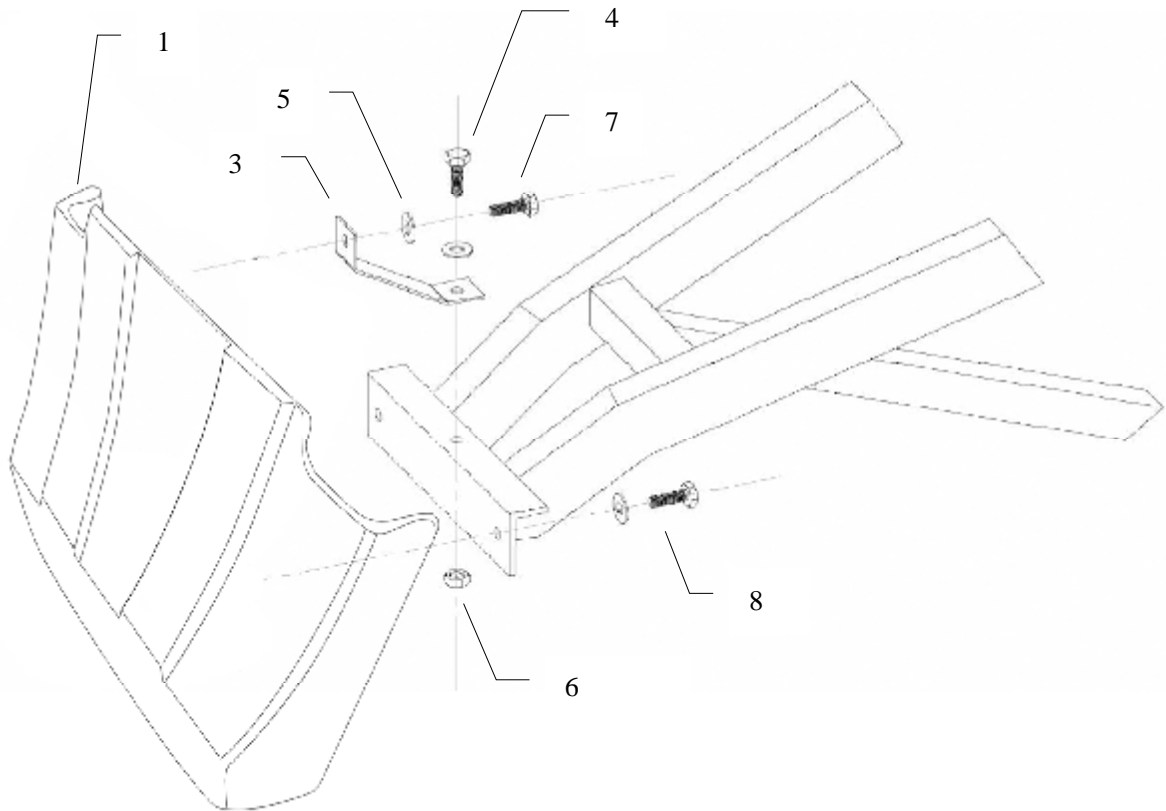
First Row of Seat(前排座椅)



First Row of Seat(前排座椅)

| Item | Part No | Description | 中文名称 | Qty | Remark |
|------|----------------|---|---------------|-----|--------|
| 1 | | Assembly of seat back(include 1,2) | 靠背总成(含 1,2) | 1 | |
| 2 | 7106100-036 | Backrest cushion | 靠背垫 | 1 | |
| 3 | 7106111-036 | cover for backrest(plastic) | 靠背罩 (黑色塑料) | 1 | |
| | 7106111-036-A1 | Cover for backrest(timber) | 靠背罩 (桃木) | 1 | |
| 4 | 7101100-040 | Assembly of Cushion | 坐垫总成 | 1 | |
| 5 | 7109100-036 | Arm rest | 座椅扶手 | 2 | |
| 6 | 7107011-040 | Seat back supporting bracket | 前排靠背支架 | 2 | |
| 7 | 7107212-002 | Seat ball socket | 座椅球窝 | 2 | |
| 8 | 7107211-002 | Seat ball | 座椅球头 | 2 | |
| 9 | 5302021-040 | Front seat compartment (no paint) | 前排座椅桶(无油漆) | 1 | |
| | 5302021-040-A0 | Front seat compartment (3013 green) | 前排座椅桶(3013 绿) | 1 | |
| | 5302021-040-A3 | Front seat compartment (Pure white) | 前排座椅桶(纯白) | 1 | |
| | 5302021-040-A4 | Front seat compartment (Pure black) | 前排座椅桶(纯黑) | 1 | |
| | 5302021-040-A5 | Front seat compartment (Coca cola red) | 前排座椅桶(可口可乐红) | 1 | |
| | 5302021-040-A1 | Front seat compartment (Metallic green) | 前排座椅桶(金属绿) | 1 | |
| | 5302021-040-A7 | Front seat compartment (Champagne) | 前排座椅桶(香槟色) | 1 | |
| | 5302021-040-A9 | Front seat compartment (Navy blue) | 前排座椅桶(警车色) | | |

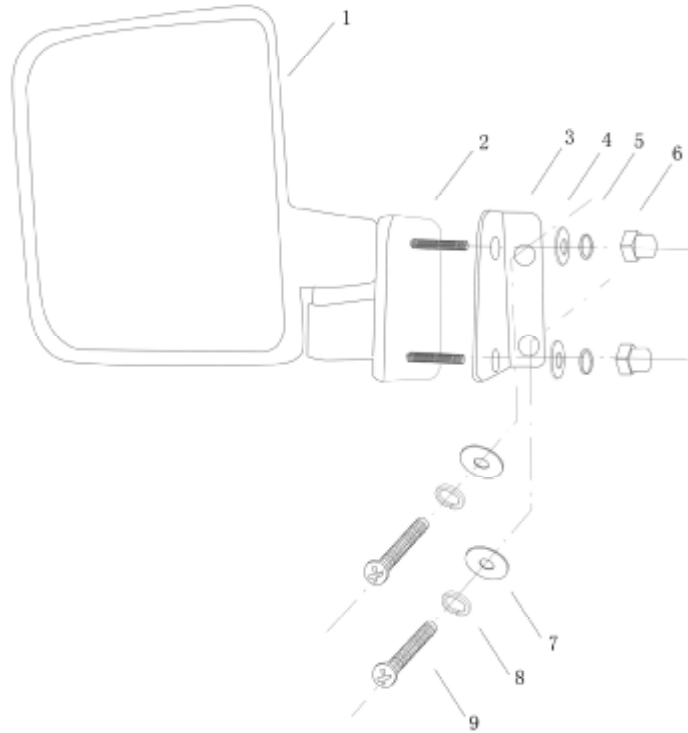
1-7 Front Bumper(前保险杠)



1-7 Front Bumper(前保险杠)

| Item | Part No | Description | 中文名称 | Qty | Remark |
|------|-------------|---------------------------------------|-------------|-----|--------|
| 1 | 5307110-007 | Front bumper | 前保险杠 | 1 | |
| 2 | #N/A | | | | |
| 3 | 5111011-023 | Front bumper bracket | 前保险杠小支架 | 1 | |
| 4 | Q150B0640 | Stainless steel hex head bolt M6×40 | 六角头螺栓 M6×40 | 1 | |
| 5 | Q40206 | Black stainless steel big washer M6 | 大垫圈 M6 | 2 | |
| 6 | Q340B06 | Black stainless steel hex head nut M6 | 1 型六角螺母 M6 | 1 | |
| 7 | Q150B0616 | Black hex head bolt M6×16 | 六角头螺栓 M6×16 | 1 | |
| 8 | Q150B0820 | Hex head bolt M8×20 | 六角头螺栓 M8×20 | 2 | |

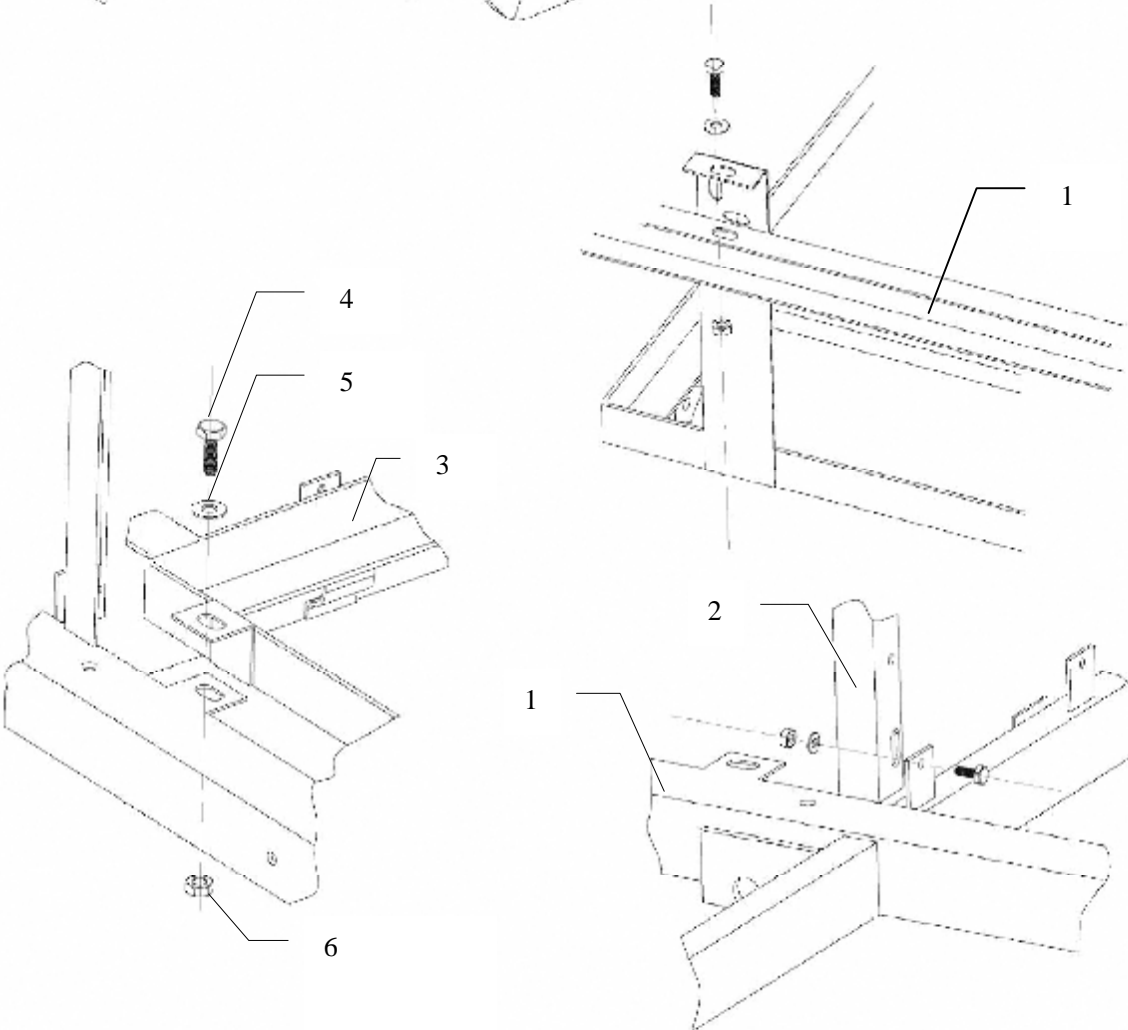
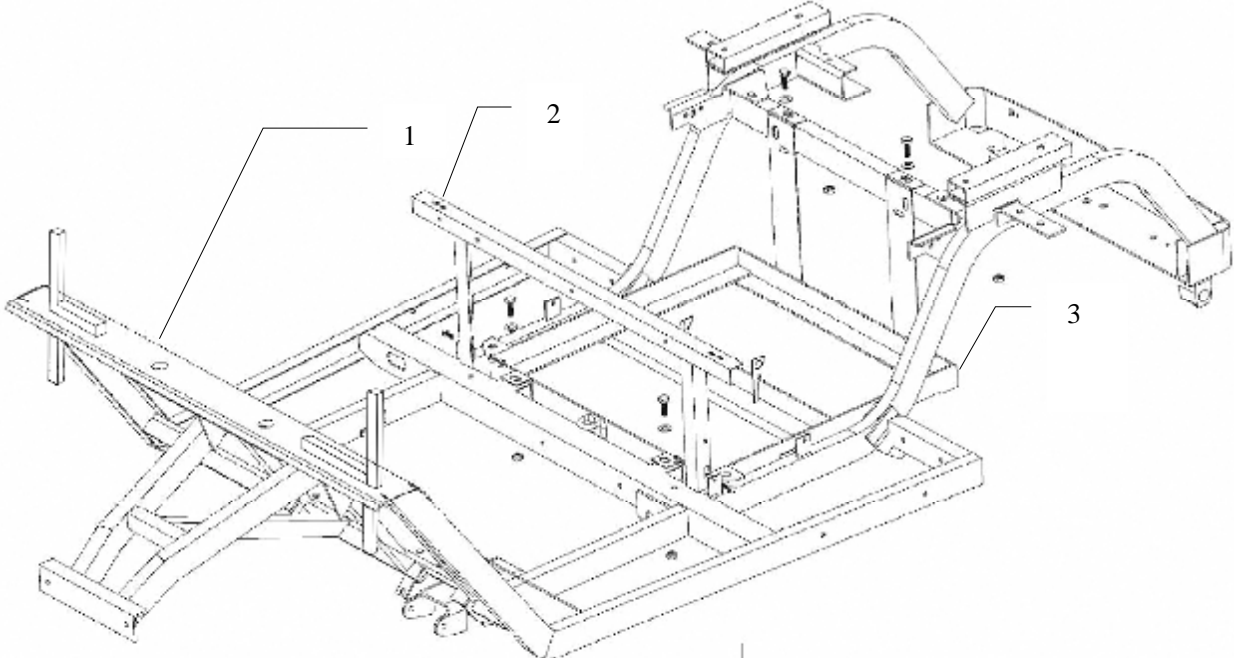
1-8 Rear View Mirror (后视镜)

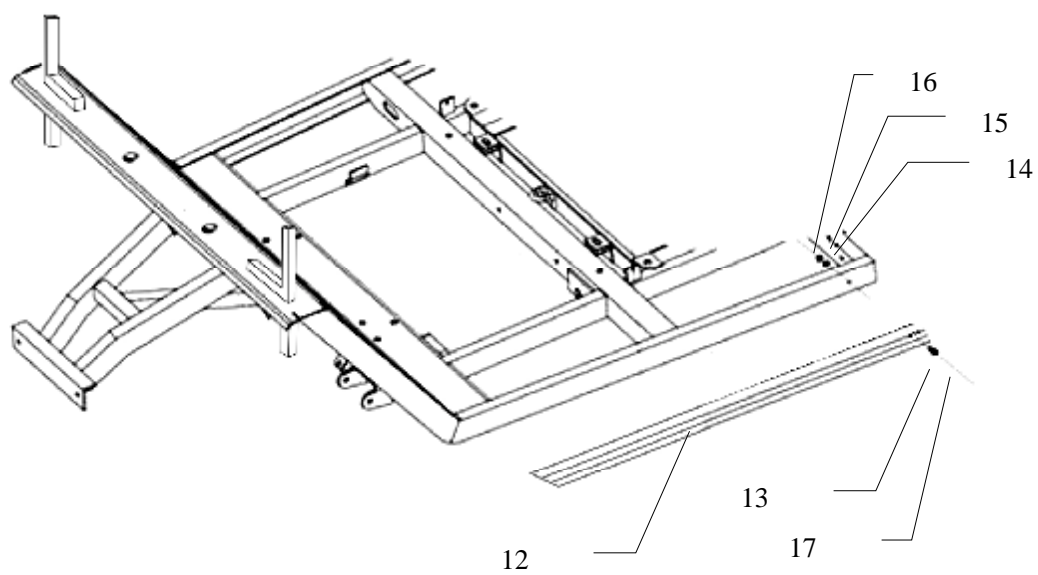
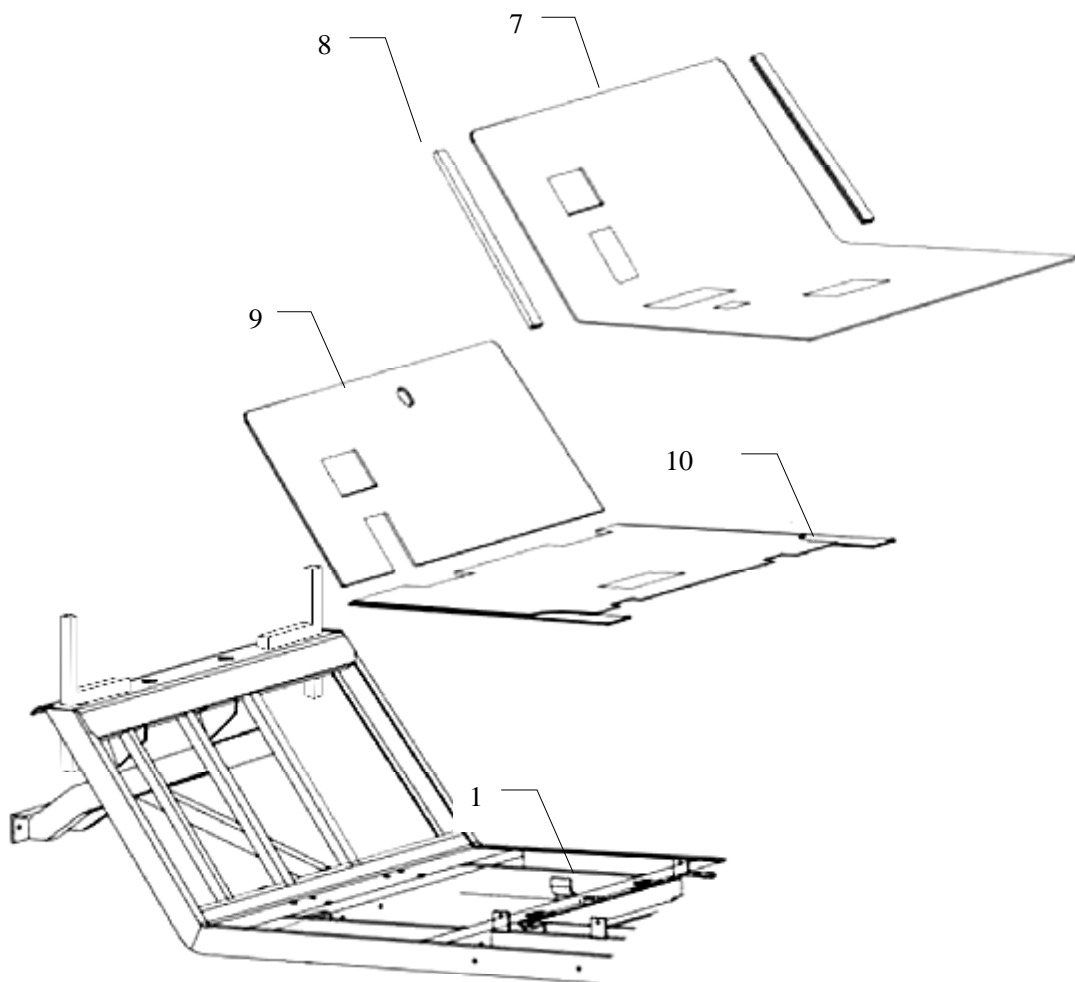


1-8 Rear View Mirror (后视镜)

| Item | Part No | Description | 中文名称 | Qty | Remark |
|------|--------------|---|----------------------|-----|-------------|
| 1 | 9002100-009 | Side rear view mirror | 侧后视镜 | 2 | Eudipleural |
| 2 | 9002011-010 | Side rear view mirror bracket | 侧后视镜支架 | 2 | Eudipleural |
| 3 | | Side rear view mirror bass | 侧后视镜底座 | 2 | Eudipleural |
| 4 | Q40106-304H | Black nickel gasket M6 | 黑镍平垫圈 M6 | 2 | |
| 5 | Q40306-304H | Black nickel gasket spring M6 | 黑镍弹簧垫圈 M6 | 2 | |
| 6 | Q394B06-304H | Black nickel operculiform nut M6 | 黑镍盖形螺母 M8 | 2 | |
| 7 | Q40106-304H | Black nickel gasket M6 | 黑镍平垫圈 M6 | 2 | |
| 8 | Q40306-304H | Black nickel spring washer M6 | 黑镍弹簧垫圈 M6 | 2 | |
| 9 | Q2710620 | Black nickel cross slot pan head bolt M6x20 | 黑镍十字槽盘头自攻螺栓—C型 M6×20 | 2 | |

2-1 Frame Assembly(车架总成)、Floor(地板)、Side Trim(侧护板)



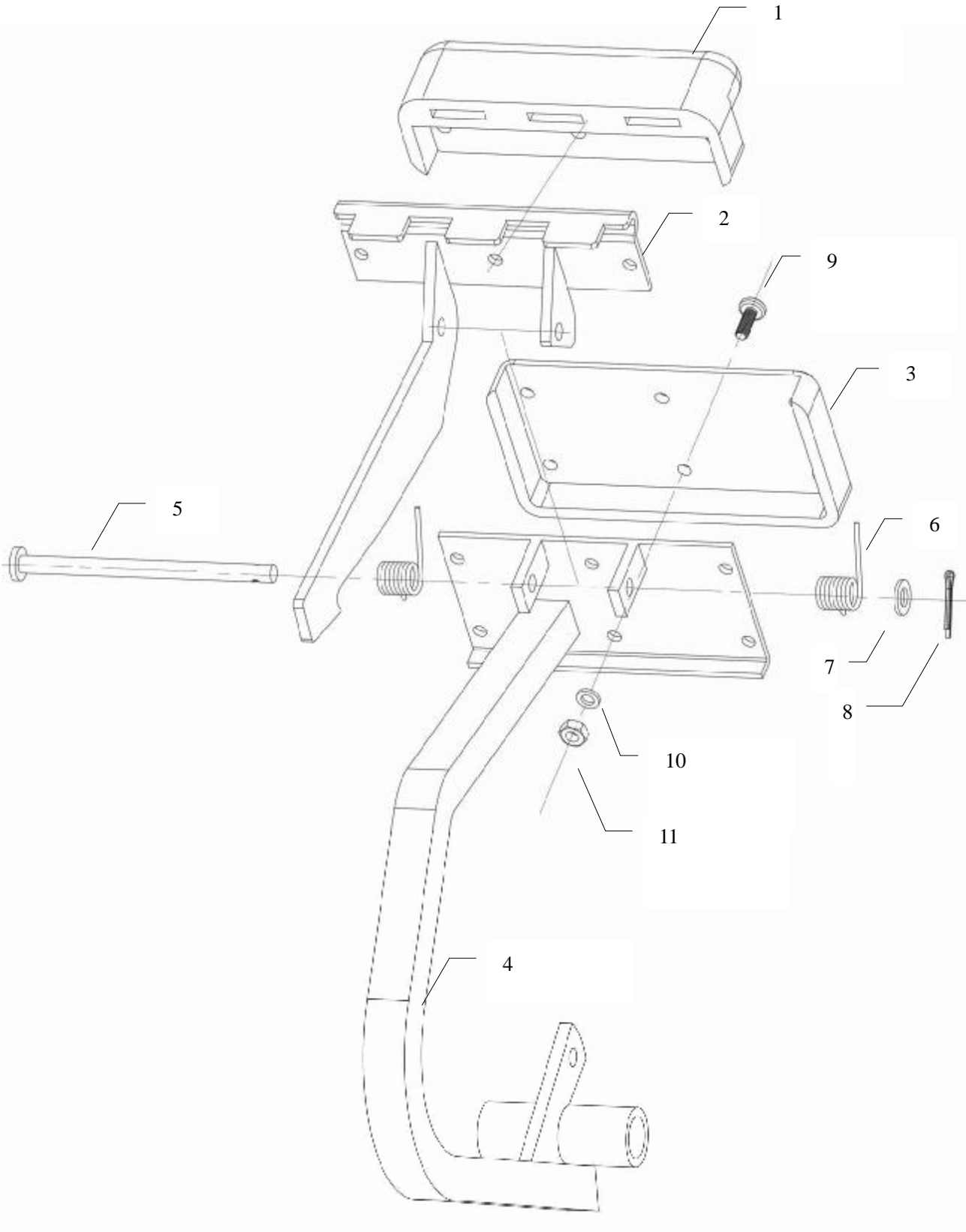


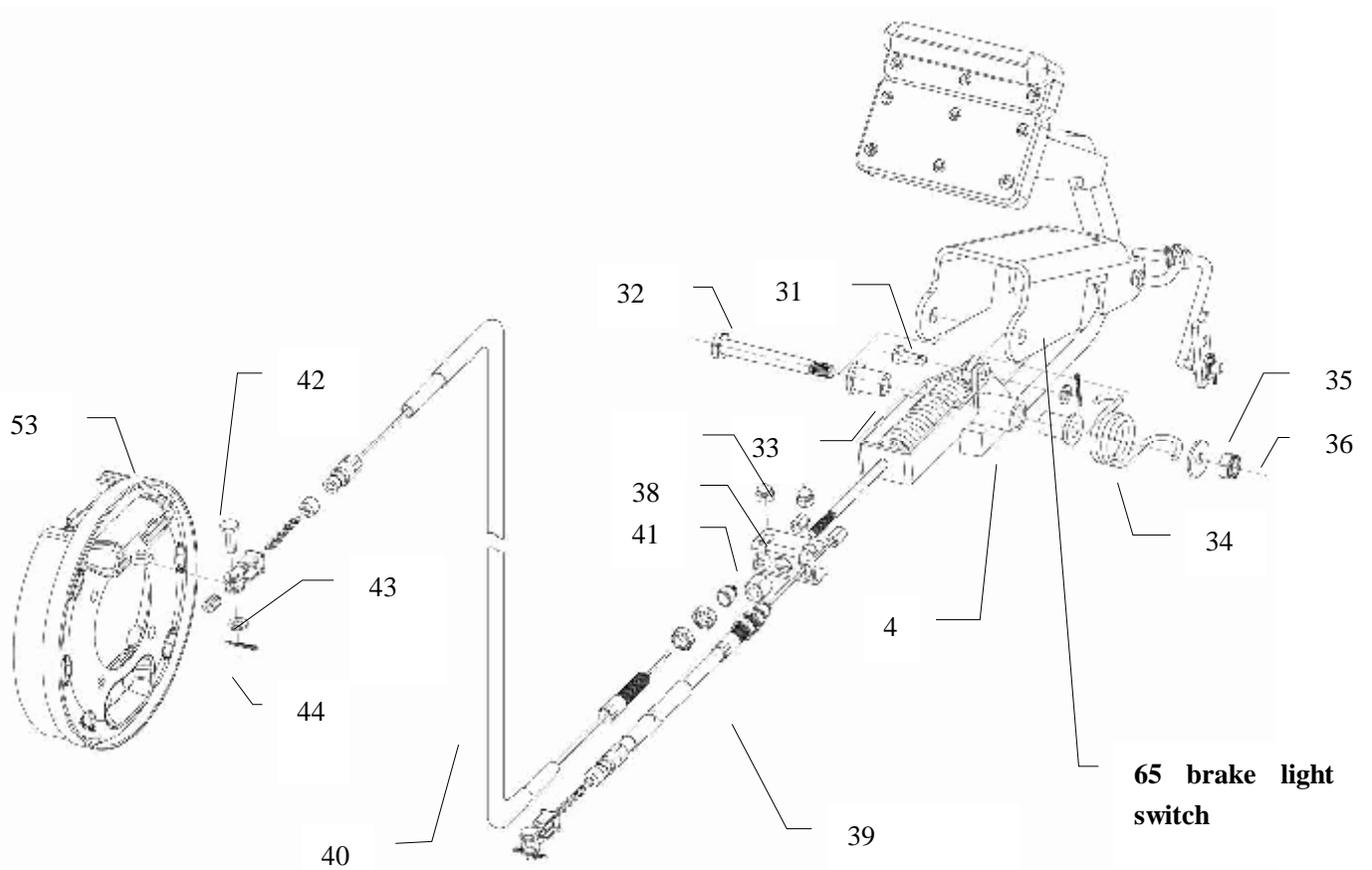
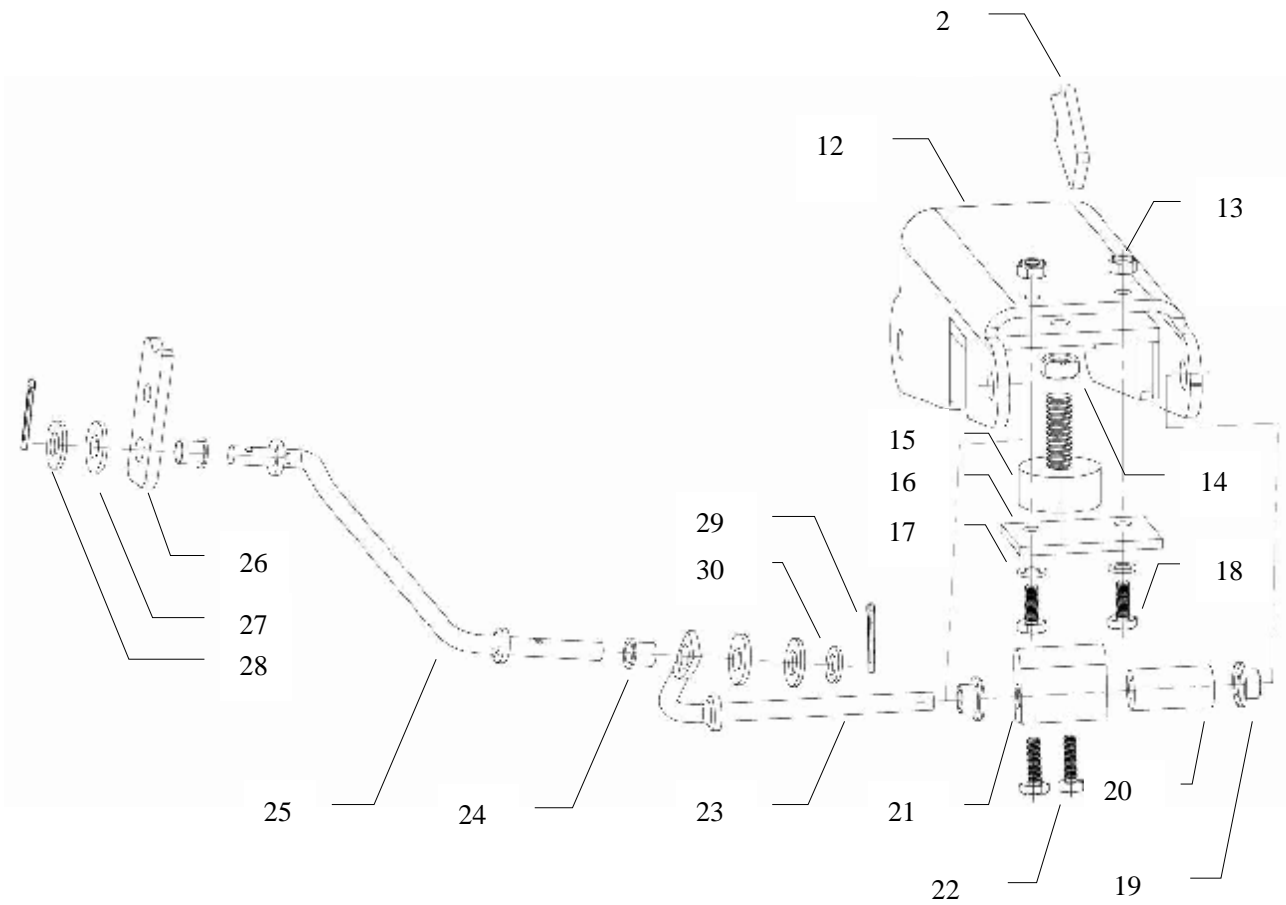
2-1 Frame Assembly(车架总成)、Floor(地板)、Side Trim(侧护板)

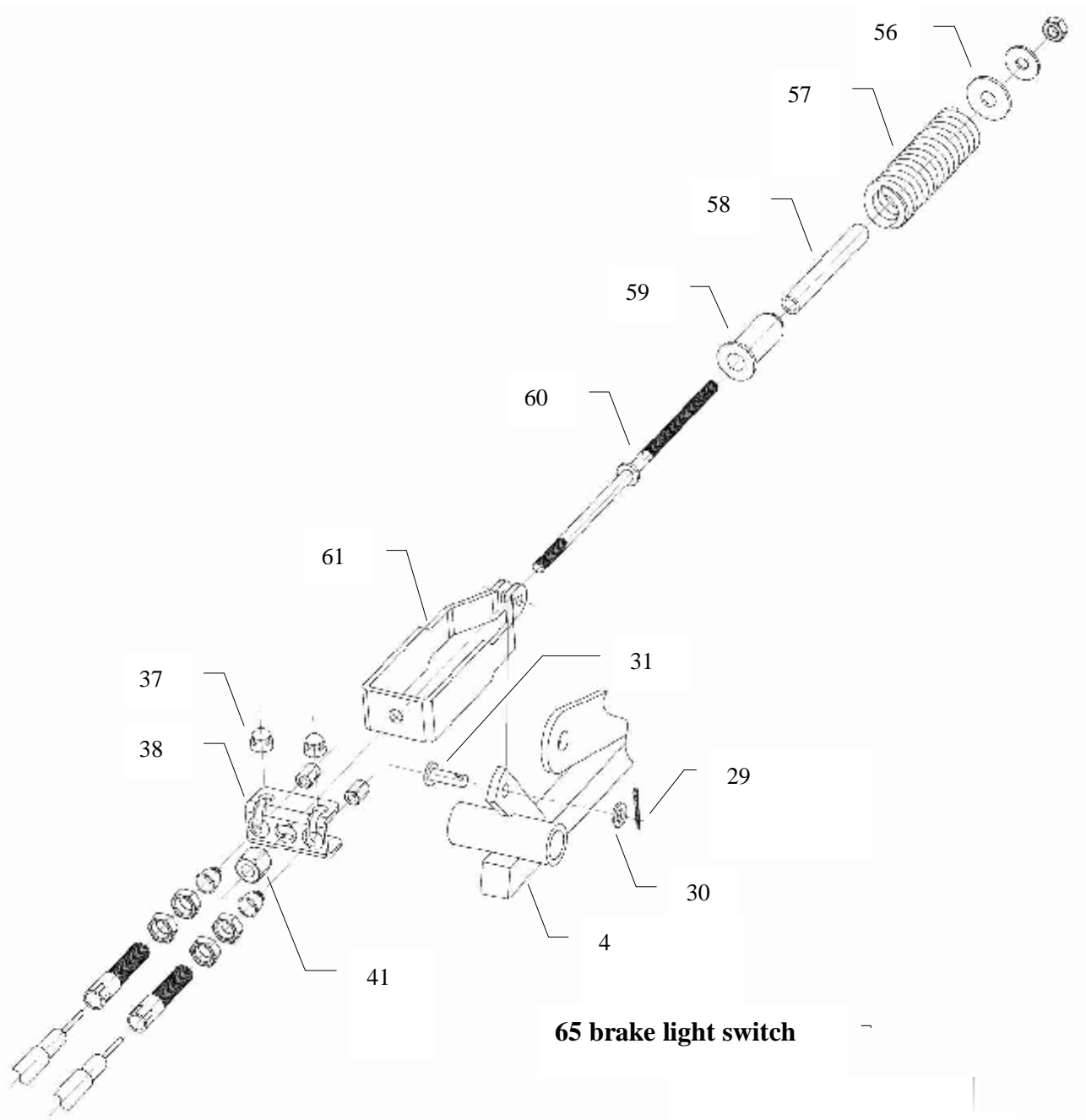
| Item | Part No | Description | 中文名称 | Qty | Remark |
|--------------|----------------------------------|--|-----------------|-------------|--------------------|
| 1 | 5101000-023 | 2P Frame assembly | 2028 车架总成 | 1 | |
| | 5101000-025 | 4P Frame assembly | 2048 车架总成 | 1 | |
| | 5101000-043 | 6P Frame assembly | 2068 车架总成 | 1 | |
| 2 | 5111030-023 | Seat frame | 座椅支架 | 1 | |
| 3 | 5111100-023 | Battery box | 蓄电池框总成 | 1 | |
| 4 | Q150B0820 | Hex head bolt M8×20 | 六角头螺栓 M8×20 | 6 | |
| 5 | Q40208 | Big washer M8 | 大垫圈 M8 | 12 | |
| 6 | Q32608 | Lock nut M8 | 2 型非金属嵌件锁紧螺母 M8 | 6 | |
| 7 | 2028-5106006 | Floor mat | 地板革 | 1 | short chassis base |
| | 5107010-040 | Floor mat | 地板革 | 1 | long chassis base |
| 8 | 5109011-036 | Floor mat bar | 地毯压条 | 1 | |
| 9 | 5102011-036 | Front fender | 前挡板 | 1 | Plastic |
| 10 | 5102012-036 | Lower floor | 下底板 | 1 | short chassis base |
| | 5102012-040 | Lower floor | 下底板 | 1 | long chassis base |
| 12 | 5502110-037 | 2P Side trim (STS) | 2028 侧护板(不锈钢) | 2 | Eudipleural |
| | 2024-5201091AL | 2P side trim (Diamond Aluminum) | 2028 侧护板((花纹铝板) | 2 | Eudipleural |
| | 5502110-036 | 2P Side trim (extruded aluminum) | 2028 侧护板((挤压铝板) | 2 | Eudipleural |
| | 5602110-041 | 4P Side trim (STS) | 2048 侧护板(不锈钢) | 2 | Eudipleural |
| | 2044-5302002 | 4P Side trim (Diamond Aluminum) | 2048 侧护板(花纹铝板) | 2 | Eudipleural |
| | 5502110-040 | 4P Side trim (extruded aluminum) | 2048 侧护板(挤压铝板) | 2 | Eudipleural |
| | 5502110-046 | 6P Side trim (STS) | 2068 侧护板(不锈钢) | 2 | Eudipleural |
| | 2064-5201091A1 | 6P Side trim (Diamond aluminum) | 2068 侧护板(花纹铝板) | 2 | Eudipleural |
| 2068-5201091 | 6P Side trim (extruded aluminum) | 2068 侧护板(挤压铝板) | 2 | Eudipleural | |
| 13 | Q214B0645-304 | Stainless steel cross slot pan head bolt M6×20 | 黑镍十字槽盘头螺栓 M6×20 | 4 | |
| 14 | Q40206-304 | Big washer M6 | 大垫圈 M6 | 4 | |

| | | | | | |
|----|--------------|-----------------------------------|-------------------|-----|--|
| 15 | 2024-5307092 | cushion for side protection board | 侧护板垫头 | 2 | |
| | 2024-5307093 | cushion for side protection board | 侧护板垫头 | 2 长 | |
| 16 | Q32606 | Hex head lock nut M6 | 2 型非金属嵌件六角锁紧螺母 M6 | 4 | |

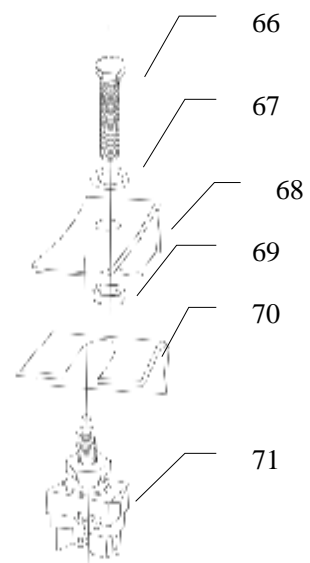
3-1 Braking Pedal & Bracket Assembly(制动踏板及支架总成)







65 brake light switch

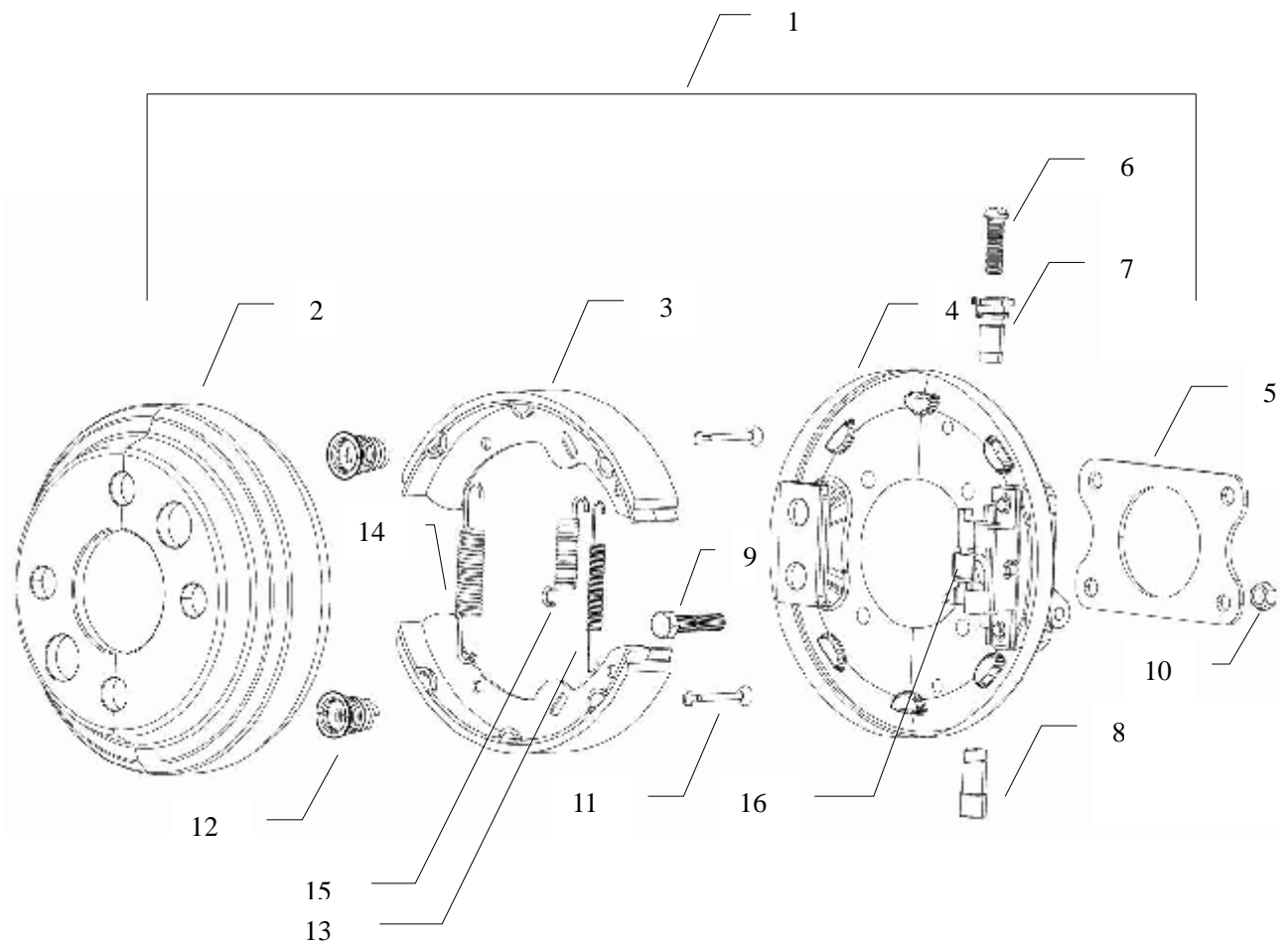


3-1 Braking Pedal & Bracket Assembly(制动踏板及支架总成)

| Item | Part No | Description | 中文名称 | Qty | Remark |
|------|---------------|---|------------------------|-----|--------|
| 1 | 2807141-036 | Pad of parking brake pedal | 制动踏板上软垫 | 1 | |
| 2 | 2807100-036 | Brake pedal for parking | 驻车制动踏板总成 | 1 | |
| 3 | 2803111-036 | Pad of service brake pedal | 制动踏板下软垫 | 1 | |
| 4 | 2803100-036 | Service brake pedal | 制动踏板总成 | 1 | |
| 5 | 2807136-036 | Peg | 销钉--驻车制动 | 1 | |
| 6 | 2807121-036 | Torsion spring | 驻车制动扭簧 | 2 | |
| 7 | Q40108 | Flat washer M8 | 平垫圈 M8 | 1 | |
| 8 | Q5000225 | Split pin $\Phi 2 \times 25$ | 开口销 $\Phi 2 \times 25$ | 1 | |
| 9 | Q2140616-304H | Cross slot pan head bolt M6 \times 16 | 十字槽盘头螺栓 M6 \times 16 | 9 | |
| 10 | Q40306-304H | Spring washer M6 | 弹垫 M6 | 9 | |
| 11 | Q340B06-304H | Hex head nut M6 | 1 型六角螺母 M6 | 9 | |
| 12 | 2024-5101016 | groove shape frame | 槽形架(包含在车架上) | 1 | |
| 13 | Q32606-304H | Hex head lock nut M6 | 2 型非金属嵌件六角琐紧螺母 M6 | 2 | |
| 14 | Q340B08-304H | Hex head nut M8 | 1 型六角螺母 M8 | 1 | |
| 15 | 2803123-036 | Adjustable bumper block | 踏板缓冲块 | 1 | |
| 16 | 2807122-036 | Small pressing block | 固定支架--驻车挂钩 | 1 | |
| 17 | Q40106 | Flat washer M6 | 平垫圈 M6 | 2 | |
| 18 | Q150B0620 | Hex head bolt M6 \times 20 | 六角头螺栓 M6 \times 20 | 2 | |
| 19 | 2807132-036 | Cam axletree | 释放杆轴套 | 2 | Copper |
| 20 | 2807134-036 | Separation block | 隔离块--释放杆凸轮 | 1 | |
| 21 | 2807133-036 | Cam | 释放杆凸轮 | 1 | |
| 22 | Q150B0616 | Hex head bolt M6 \times 16 | 六角头螺栓 M6 \times 16 | 2 | |
| 23 | 2807131-036 | Cam dowel | 释放杆 | 1 | |
| 24 | 2024-2103007 | Jacket of connecting rod | 加速器连杆护套 | 2 | Nylon |
| 25 | 1007024-004 | Connection rod for interlocking | 加速器连杆 | 1 | |
| 26 | 1007021-004 | Accelerator pedal | 加速器踏板总成 | 1 | |
| 27 | Q40108 | Nylon washer M8 | 平垫圈 M8 | 2 | |
| 28 | Q40110 | Flat washer M10 | 平垫圈 M10 | 2 | |
| 29 | Q5000225 | Split pin $\Phi 2 \times 25$ | 开口销 $\Phi 2 \times 25$ | 1 | |
| 30 | Q40108 | Flat washer M8 | 平垫圈 M8 | 1 | |
| 31 | Q5100825 | Pin M8 \times 25 | 销钉 M8 \times 25 | 1 | |
| 32 | 2803122-024 | Flange bolt M10 \times 100 | 制动凸肩螺栓 | 1 | |
| 33 | 2803113-036 | Flange jacket | 衬套--凸肩螺栓 | 2 | |
| 34 | 2803114-036 | Big torsion spring | 行车制动扭簧 | 1 | |
| 35 | Q40210 | Big washer M10 | 大垫圈 M10 | 1 | |
| 36 | Q32610 | Hex head lock nut M10 | 2 型非金属嵌件六角琐紧螺母 M10 | 1 | |

| | | | | | |
|----|-------------|--|-------------|---|---|
| 37 | 2803122-036 | Bumper head of compensator for braking | 防撞头 | 2 | |
| 38 | 2803121-036 | Balance bracket | 平衡器 | 1 | |
| | 2807310-009 | Braking cable assembly | 左制动软轴总成 | 1 | EG2028K, EG2028KSF, EG2028KSZ, EG2028H |
| 39 | 2807310-011 | Braking cable assembly | 左制动软轴总成 | 1 | EG2048K, EG2048KSF, EG2048KSZ, EG2048H, EG2048HCX |
| | 2807320-009 | Braking cable assembly | 右制动软轴总成 | 1 | EG2028K, EG2028KSF, EG2028KSZ, EG2028H |
| 40 | 2807320-011 | Braking cable assembly | 右制动软轴总成 | 1 | EG2048K, EG2048KSF, EG2048KSZ, EG2048H, EG2048HCX |
| 41 | 2803125-036 | Half head nut M8 | 半圆头螺母 | 1 | |
| 42 | Q5100825 | Pin M8×25 | 销钉 M8×25 | 1 | |
| 43 | Q40108 | Flat washer M8 | 平垫圈 M8 | 1 | |
| 44 | Q5000225 | Split pin Φ2×25 | 开口销 Φ2×25 | 1 | |
| 53 | 2802100-007 | Assembly of brake | 左后制动器总成 | 1 | |
| 54 | Q340B08 | Hex head nut M8 | 1 型六角螺母 M8 | 1 | |
| 55 | Q40108 | Flat washer M8 | 平垫圈 M8 | 1 | |
| 56 | Q40208 | Big washer M8 | 大垫圈 M8 | 1 | |
| 57 | 2803116-036 | Compression spring | 大压簧 | 1 | |
| 58 | 2803118-036 | Limit retainer of balancer | 制动推杆轴管 | 1 | |
| 59 | 2803119-036 | Protection cover | 衬套--制动螺杆 | 1 | |
| 60 | 2803117-036 | Pitman | 制动螺杆 | 1 | |
| 61 | 2803115-036 | Furcated arm | 叉形臂 | 1 | |
| 63 | Q150B0620 | hex head bolt M6x20 | 六角头螺栓 M6×20 | 1 | |
| 64 | Q40106 | Washer M6 | 平垫圈 M6 | 2 | |
| 65 | 2803124-036 | Limit retainer of brake light switch | 制动灯开关支架限位板 | 1 | |
| 66 | Q340B06 | Hex head nut M6 | 1 型六角头螺母 M6 | 1 | |
| 67 | 5111012-023 | Brake light switch bracket | 制动灯开关支架 | 1 | |
| 68 | 3127010-001 | Brake light switch | 制动灯开关 | 1 | |

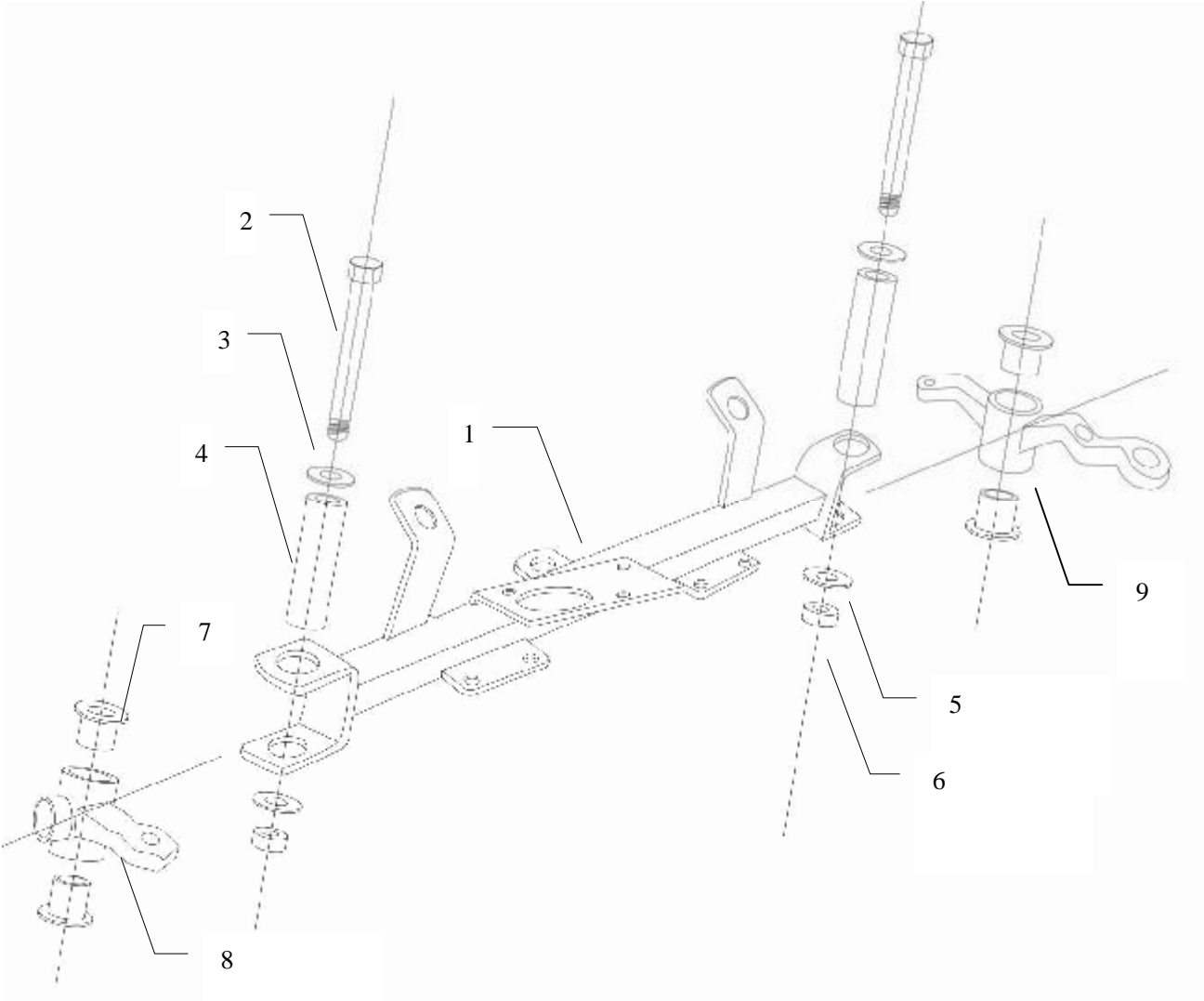
3-2 Rear Brake Assembly(后轮制动器)



3-2 Rear Brake Assembly(后轮制动器)

| Item | Part No | Description | 中文名称 | Qty | Remark |
|------|------------------|--|-----------------------|-----|--------|
| 1 | 2802200-007 | Rear Brake assembly RH(include item 3-16) | 右后制动器总成(包含 3-16) | 1 | |
| | 2802100-007 | Rear Brake assembly LH(include item 3-16) | 左后制动器总成 | 1 | |
| 2 | 2802210-007 | Rear Brake drum | 后制动鼓 | 2 | |
| 3 | 2802110-007 | Brake shoe | 刹车片 | 2 | |
| 4 | | Motherboard assembly | 制动蹄块底座 | 2 | |
| 6 | | Adjusting screw LH | 左调整杆 | 1 | |
| | | Adjusting screw RH | 右调整杆 | 1 | |
| 7 | | Ratchet wheel LH | 左棘轮 | 1 | |
| | | Ratchet wheel RH | 右棘轮 | 1 | |
| 8 | | Mandril head | 顶杆头 | 2 | |
| 9 | Q150B0825 | Hex head bolt M8×25 | 六角头螺栓 M8×25 | 8 | |
| 10 | Q32608 | Hex head lock nut M8 | 2 型非金属嵌件六角锁 紧螺母 M8 | 8 | |
| 11 | | Bearing peg | 支承销 | 4 | |
| 12 | | Spring and cuppy restrainer | 限位弹簧及座 | 4 | |
| 13 | HX8060A-35072007 | Upside return spring | 上回位弹簧 | 2 | |
| 14 | HX8060A-35072009 | Underside return spring | 下回位弹簧 | 2 | |
| 15 | HX8060A-35072008 | Adjusting spring | 调整簧 | 2 | |
| 16 | | Dialing clip LH | 左拨片 | 1 | |
| | | Dialing clip RH | 右拨片 | 1 | |

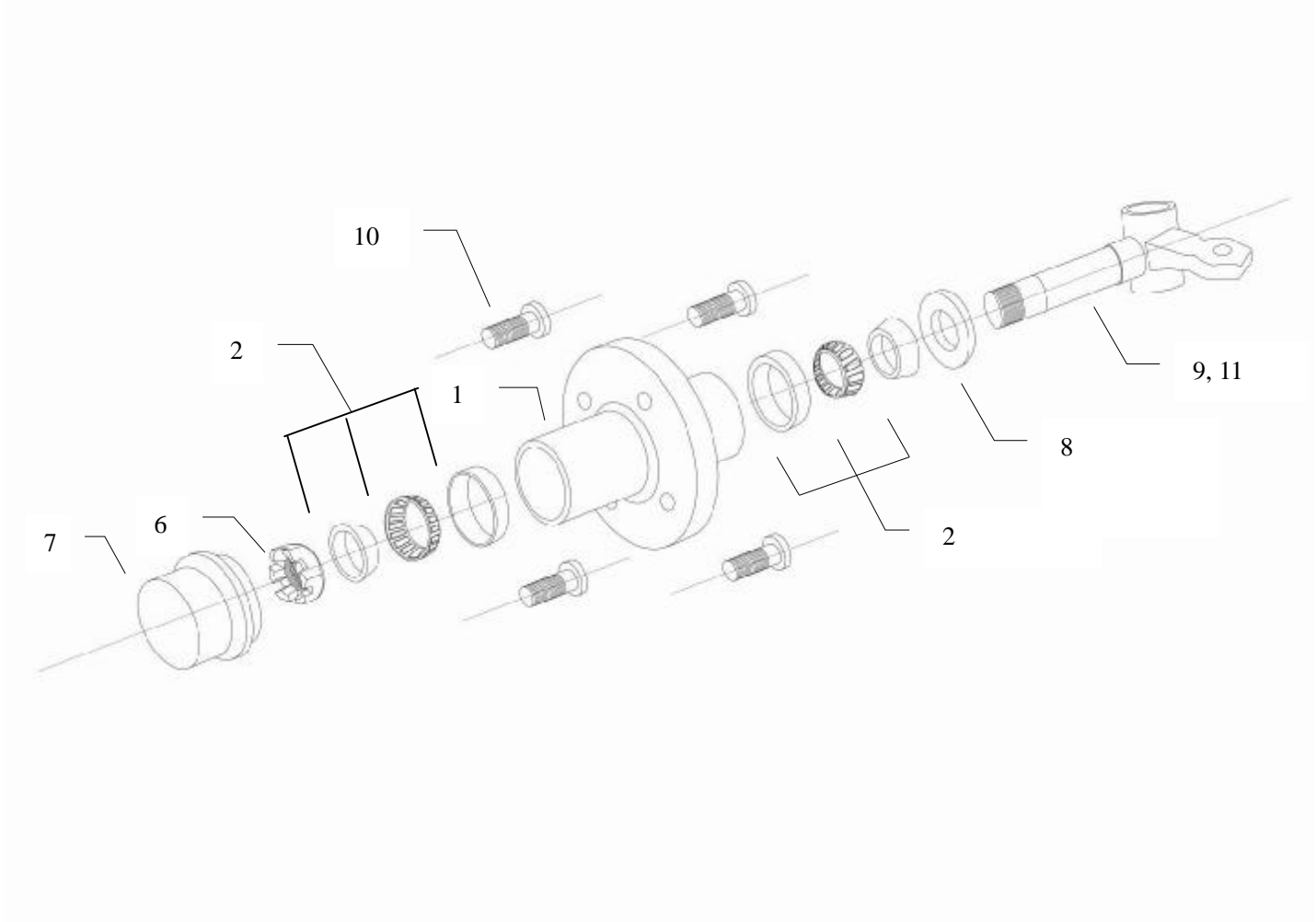
4-1 Front Axle Assembly(前桥总成)



4-1 Front Axle Assembly(前桥总成)

| Item | Part No | Description | 中文名称 | Qty | Remark |
|------|-------------|-------------------------------------|------------------------|-----|--------------------|
| 1 | 2300000-004 | Front axle assembly | 前桥 | 1 | |
| 2 | | King pinΦ12×130 | 主销 Φ12×130 | 2 | |
| 3 | Q40212 | Big washer M12 | 大垫圈 M12 | 4 | |
| 4 | 2302114-008 | King pin pipe | 主销管 | 2 | |
| 5 | Q40112 | washer M12 | 平垫 M12 | 2 | |
| 6 | Q32612 | Hex head lock nut M12 | 2 型非金属嵌件六角琐 紧螺母 M12 | 2 | |
| 7 | 2302112-008 | Oiliness copper bush (thin) | 铜套 (薄) | 2 | 2013.5.18 amend |
| | 2302113-008 | Oiliness copper bush (thick) | 铜套 (厚) | 2 | |
| 8 | 2302100-008 | Left knuckle (include item 2-7) | 左转向节(包含 2-7) | 1 | |
| 9 | 2302200-008 | Right knuckle (include item 2-7) | 右转向节(包含 2-7) | 1 | |

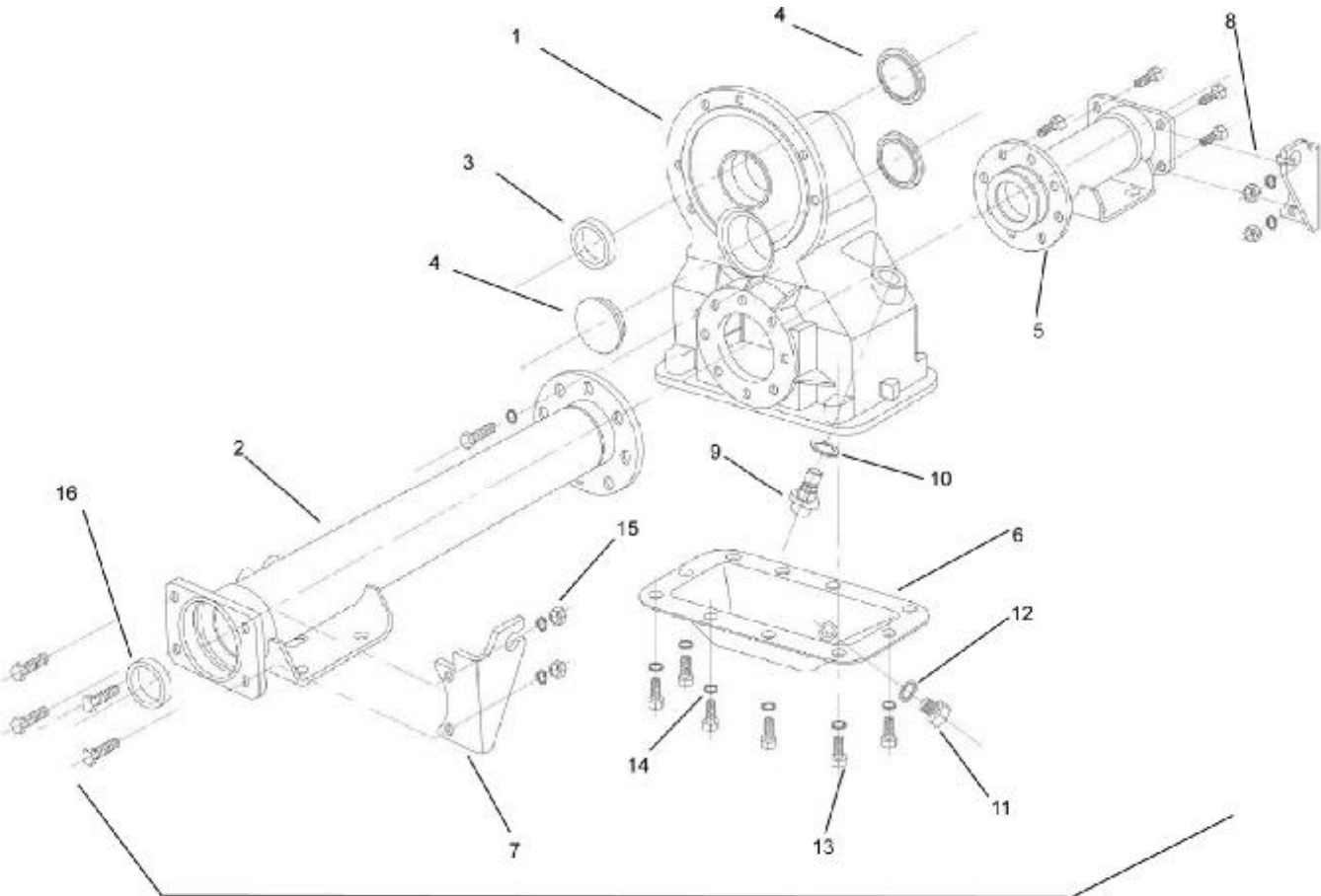
4-2 Front Hub(前輪轂)



4-2 Front Hub(前轮毂)

| Item | Part No | Description | 中文名称 | Qty | Remark |
|------|---------------|----------------------------|------------------|-----|-------------|
| 1 | 2600111-036 | Front hub | 前轮毂 | 2 | |
| 2 | L44643 | Bearing assembly | 轴承总成 | 4 | |
| 6 | Q38324 | Slotted nut M24(包含在转向节中) | 2 型六角开槽螺母—细牙 M24 | 2 | |
| 7 | 2600114-036 | Hub cap (for steel rim) | 大轴端盖(黑色)(配钢圈) | 2 | |
| | 2024-2301002A | Hub cap (for aluminum rim) | 大轴端盖(配铝圈) | 2 | chromeplate |
| 8 | 2600113-036 | Oil seal | 油封 | 2 | |
| 9 | 2302100-008 | Left knuckle | 左转向节 | 1 | |
| 10 | 2600011-012 | Tyre bolt M12×45 | 前轮螺栓 | 8 | |
| 11 | 2302200-008 | Right knuckle | 右转向节 | 1 | |

5-1 Rear Axle(后桥)

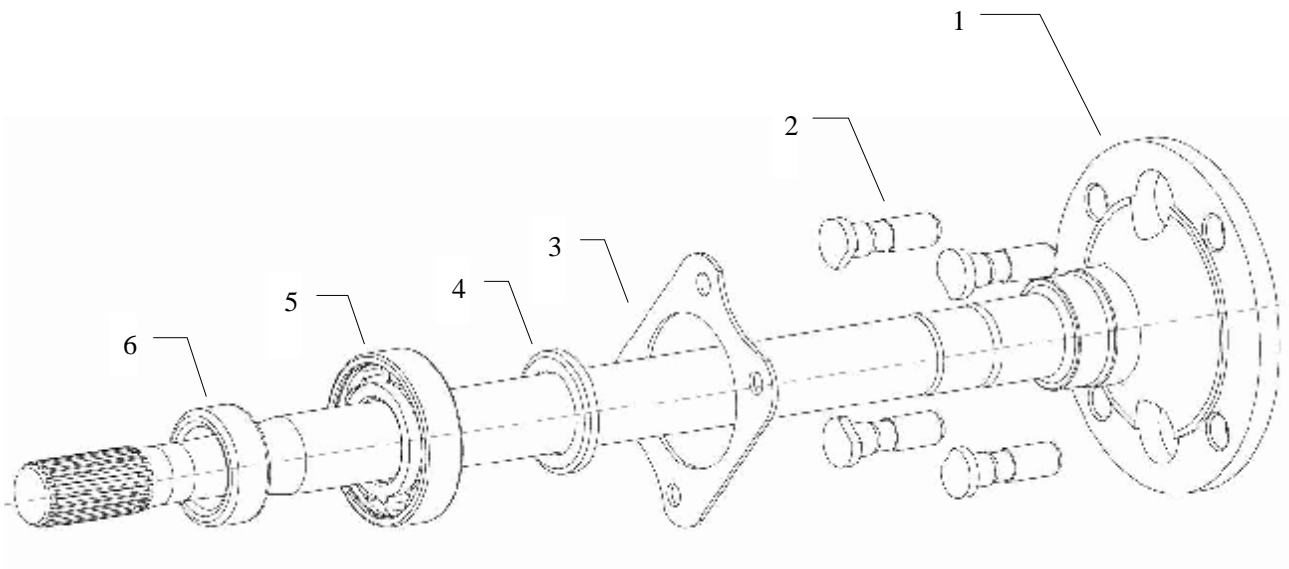


17

5-1 Rear Axle(后桥)

| Item | Part No | Description | 中文名称 | Qty | Remark |
|------|--------------------|--|---------------------------|-----|-------------------|
| 1 | 2403001-EG2024-000 | Retarder case | 减速器壳体(包含在后桥中) | 1 | |
| 2 | 2401220-EG2024-00B | Right half axle sleeving | 右半轴管 | 1 | |
| 3 | B32*47*8 | Oil seal (F) B32×47×8 | 主减一轴油封 | 1 | |
| 4 | 2403006-EG2024-000 | Blanking adapter | 胶盖(包含在后桥中) | 3 | |
| 5 | 2401120-EG2024-00B | Left half axle sleeving | 左半轴管 | 1 | |
| 6 | 2403002-EG2024-000 | oil pan | 油底壳 | 1 | |
| 7 | 2802140-008 | Right braking tube frame | 左制动拉线挡板 | 1 | Eudipleural |
| 8 | 2802140-008 | Left braking tube frame | 右制动拉线挡板 | 1 | |
| 9 | 2403003-EG2024-000 | Filler bolt | 注油螺栓 | 1 | |
| 10 | 2403003-EG2024-000 | Filler bolt washer | 注油螺栓垫 | 1 | |
| 11 | 2403004-EG2024-000 | Drain bolt | 放油螺栓 | 1 | |
| 12 | 2403005-EG2024-000 | Drain bolt washer | 放油螺栓垫 | 1 | |
| 13 | Q150B0825-304H | Hex head bolt M8×25 | 六角头螺栓 M8×25 | 34 | |
| 14 | Q40308-304H | Spring washer M8 | 弹垫 M8 | 34 | |
| 15 | Q32608 | Hex head lock nut M8 | 2 型非金属嵌件六角锁紧螺母 M8 | 8 | |
| 16 | 42*55*7 | Oil seal | 半轴油封 | 2 | |
| 17 | 2400000-010 | Rear Axle 12.49:1 (include item 1-15, 5-2) | 后桥 12.49:1(包含 1-15 及 5-2) | 1 | Include half axle |
| | 2400000-010 | | | | |
| | 2400000-008 | Rear Axle 10.25:1 (include item 1-15, 5-2) | 后桥 10.25:1(包含 1-15 及 5-2) | 1 | Include half axle |

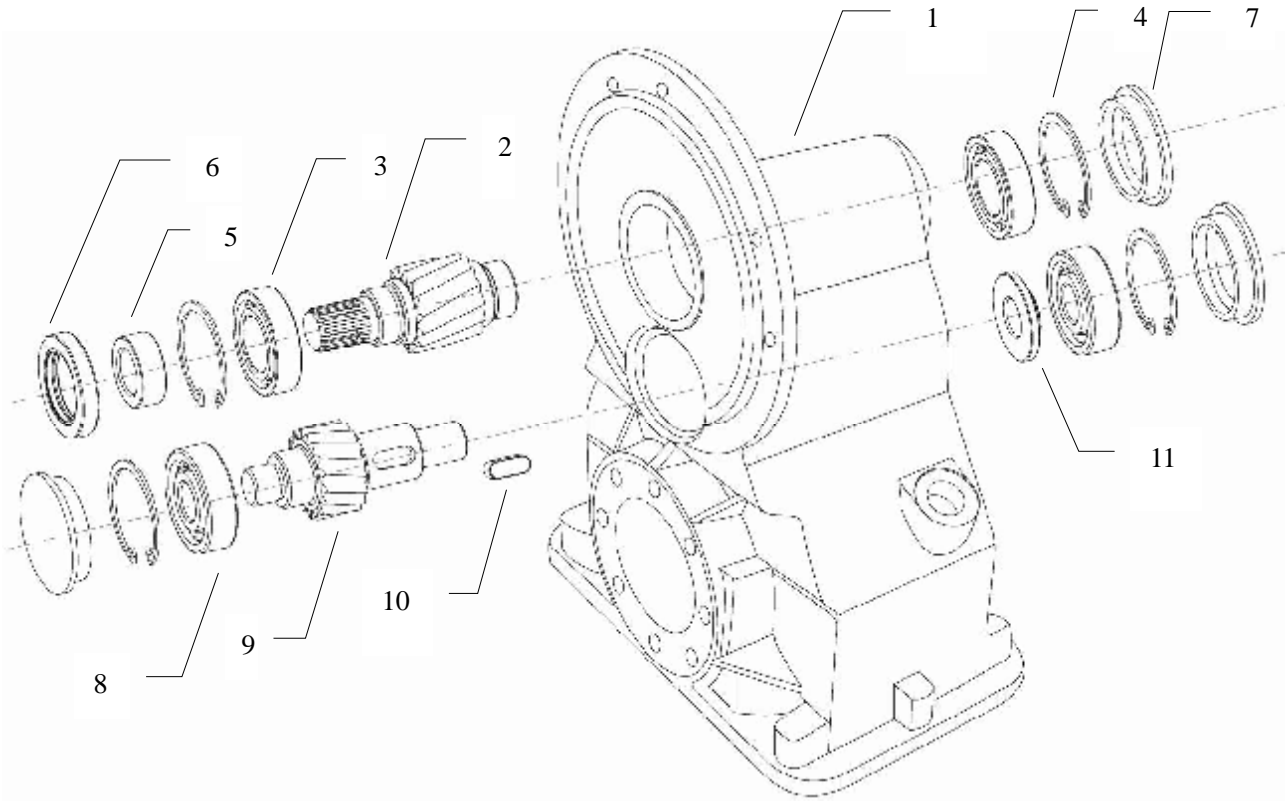
5-2 Half Axle Assembly(半轴总成)



5-2 Half Axle Assembly(半轴总成)

| Item | Part No | Description | 中文名称 | Qty | Remark |
|------|--------------------|-------------------|-----------|-----|--|
| 1 | 2402100-008 | Left half axle | 左半轴 | 2 | |
| | 2402200-008 | right half axle | 右半轴 | 2 | |
| 2 | 2600011-011 | Tyre bolt M12×45 | 半轴螺栓 | 8 | |
| 3 | 2401009-EG2024-000 | Bearing capping | 半轴轴承压盖 | 2 | |
| 4 | 9010007-06206-001 | Inner shield ring | 内挡圈 | 2 | 2013.4.6 修改, 原来的为 9010007-06201-001 |
| 5 | 6206 | Bearing 6206-Z | 轴承 6206-Z | 2 | |
| 6 | 9010007-06206-000 | Outer shield ring | 外挡圈 | 2 | |

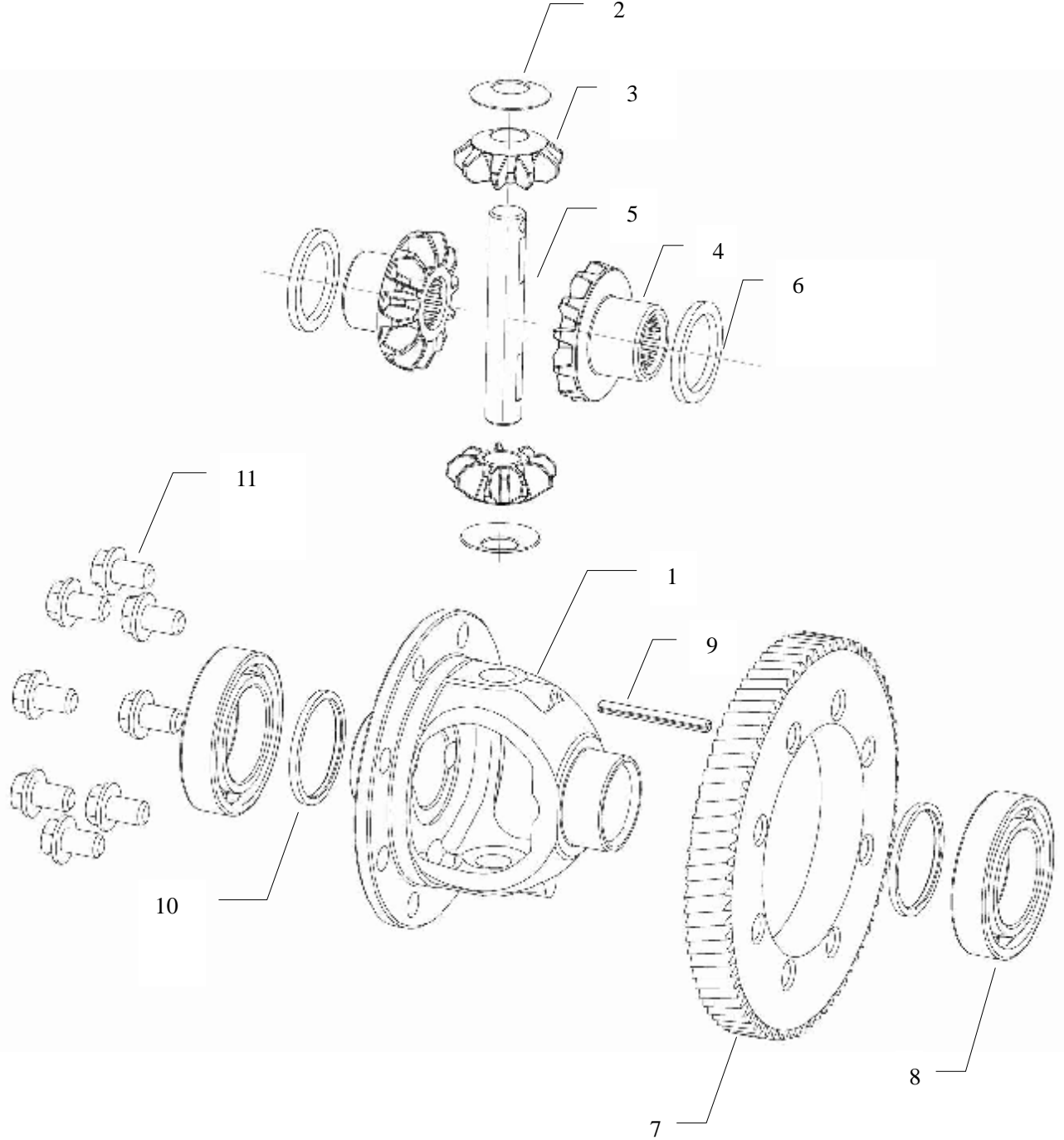
5-3 Retarder Assembly(主减速器总成)



5-3 Retarder Assembly(主减速器总成)

| Item | Part No | Description | 中文名称 | Qty | Remark |
|------|--------------------|--|--------------------------------|-----|--------|
| 1 | 2403001-EG2024-000 | Retarder case | 减速器壳体 | 1 | |
| 2 | 2403112-010 | Gear shaft,12.49:1 | 齿轮轴 I (12.49:1) | 1 | |
| | 2403112-008 | Gear shaft,12.49:1 | 齿轮轴 I(10.25:1) | 1 | |
| 3 | 6005 | Bearing 6005/P6 | 轴承 6005/P6 | 2 | |
| 4 | 2403011-EG2024-000 | Shield ring 47 | 挡圈 47 | 4 | |
| 5 | 9010007-6005RZ-000 | Bush | 半轴轴承固定套 | 1 | |
| 6 | 32*47*8 | Oil seal (F) B32×47×8 | 油封 (F) B32×47×8 | 1 | |
| 7 | 2403006-EG2024-000 | Blanking adapter | 胶盖 | 3 | |
| 8 | 9010006-6303R-000 | Bearing 6303/P6 | 轴承 6303/P6 | 2 | |
| 9 | 2403114-010 | Gear shaft II | 齿轮轴 II | 1 | |
| 10 | 8×20 | Bond 8×20 | 键 8×20 | 1 | |
| 11 | 9010007-6303RS-000 | Spacer | 隔套 | 1 | |
| | 2403100-010 | Reducer assembly (12.49:1), includes 1-11 | 减速器总成 (速比 12.49:1), 包括 1-11 | 1 | |
| 12 | 2403100-008 | Reducer assembly (10.25:1), includes 1-11 | 减速器总成 (速比 10.25:1), 包括 1-11 | 1 | |

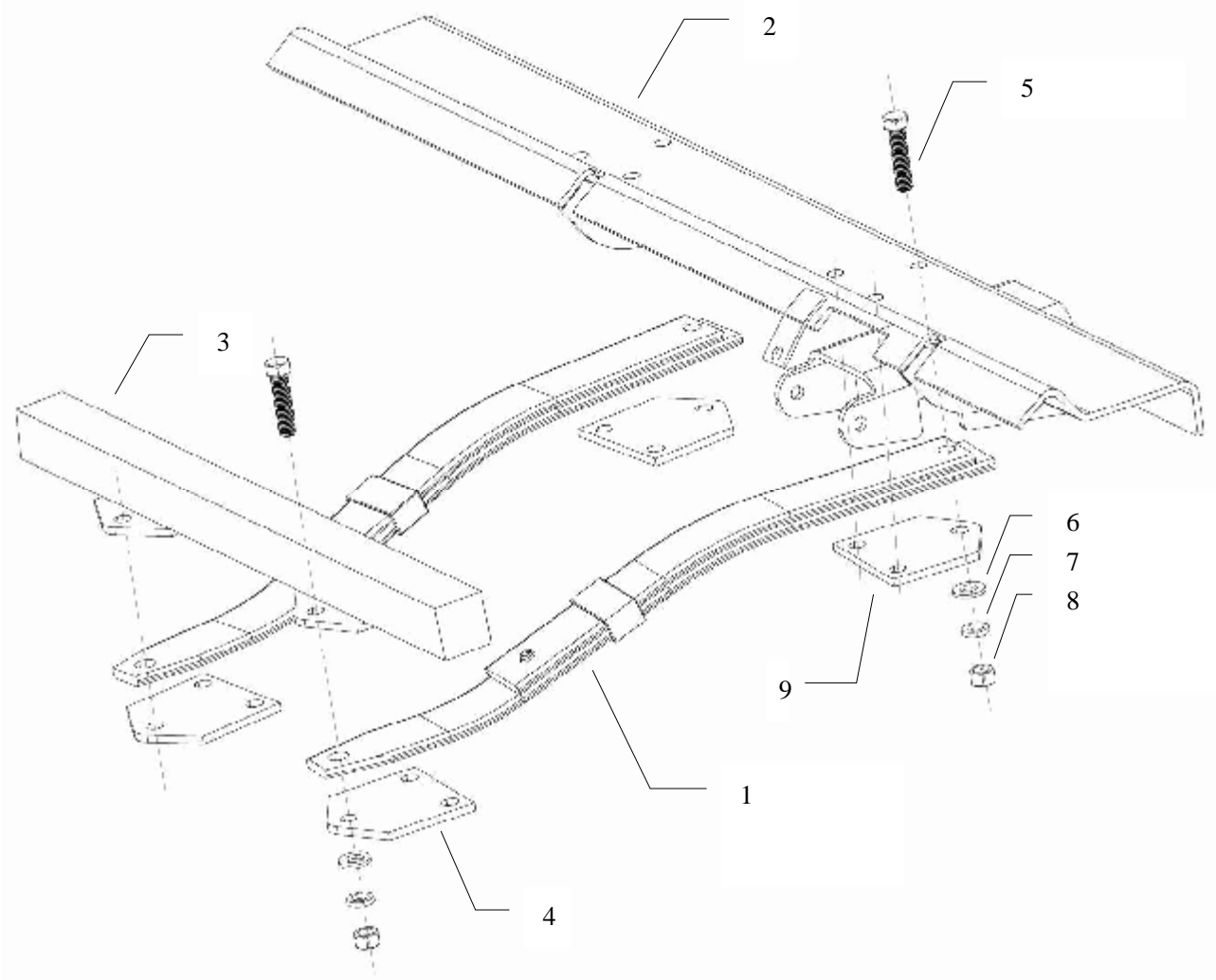
5-4 Differential (差速器)



5-4 Differential(差速器)

| Item | Part No | Description | 中文名称 | Qty | Remark |
|------|-------------|---|----------------|-----|--------|
| 1 | DP-146 | Differential housing | 差速器壳 | 1 | |
| 2 | DP-147 | Spheroidal thrust washer | 球型止推垫圈 | 1 | |
| 3 | DP-148 | Planetary gear | 行星齿轮 | 2 | |
| 4 | DP-149 | Axle shaft gear | 半轴齿轮 | 2 | |
| 5 | DP-150 | Planetary gear shaft | 行星齿轮轴 | 1 | |
| 6 | DP-151 | Adjusting washer | 调整垫片 | 2 | |
| 7 | DP-152 | Large gear | 大齿轮 | 1 | |
| 8 | DP-153 | Bearing 6008 | 轴承 6008 | 2 | |
| 9 | DP-154 | Pin 5×45 | 销 5×45 | 1 | |
| 10 | DP-155 | Washer | 垫圈 | 2 | |
| 11 | DP-156 | Driving bevel gear screw | 驱动锥齿轮螺钉 | 8 | |
| 12 | 2403200-008 | Differential Assembly(include item1-11) | 差速器总成(包括 1-11) | 1 | |

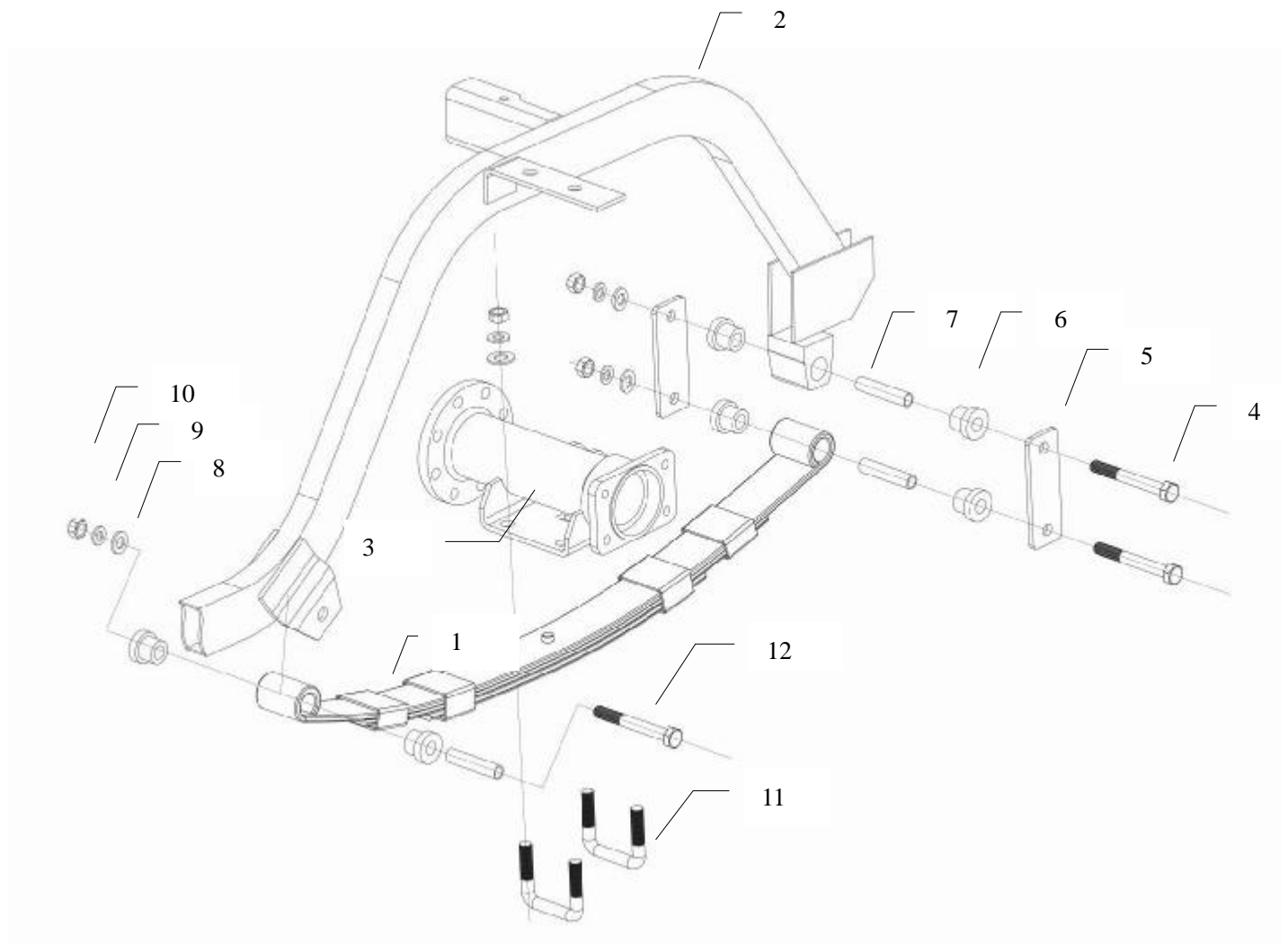
6-1 Front Suspension(前悬架总成)



6-1 Front Suspension(前悬架总成)

| Item | Part No | Description | 中文名称 | Qty | Remark |
|------|--------------|--|------------------------|-----|---|
| 1 | 2501100-008 | Front leaf spring assembly | 前钢板弹簧总成 | 2 | EG2028K |
| | 2501100-009 | Front leaf spring assembly | 前钢板弹簧总成 | 2 | EG2028KSF/KSZ, EG2048K,EG2028H |
| | 2501100-010 | Front leaf spring assembly | 前钢板弹簧总成 | 2 | EG2048KSF, EG2048KSZ, EG2048H, EG2048HCX, EG2068K |
| 2 | 2300000-004 | First beam of frame | 第二横梁(包含在车架上) | 1 | |
| 3 | 2300000-006 | Front axle assembly | 前桥总成 | 1 | |
| | 2301117-004 | Front axle assembly(hydraulic) | 液压前桥总成 | 1 | |
| 4 | Q150B1255 | Front leaf spring front plate | 前板簧前压板 | 2 | |
| 5 | Q40112 | hexagon bolt M12×50 | 六角头螺栓 M12×45 | 12 | |
| 6 | Q40312 | washer M12 | 平垫圈 M12 | 12 | |
| 7 | Q340B12 | Spring washer M12 | 弹垫 M12 | 12 | |
| 8 | 2502112-036 | Nut 12 | 1 型六角螺母 M12 | 12 | |
| 9 | 2024-2501002 | Front leaf spring rear plate | 前板簧后压板 | 2 | |

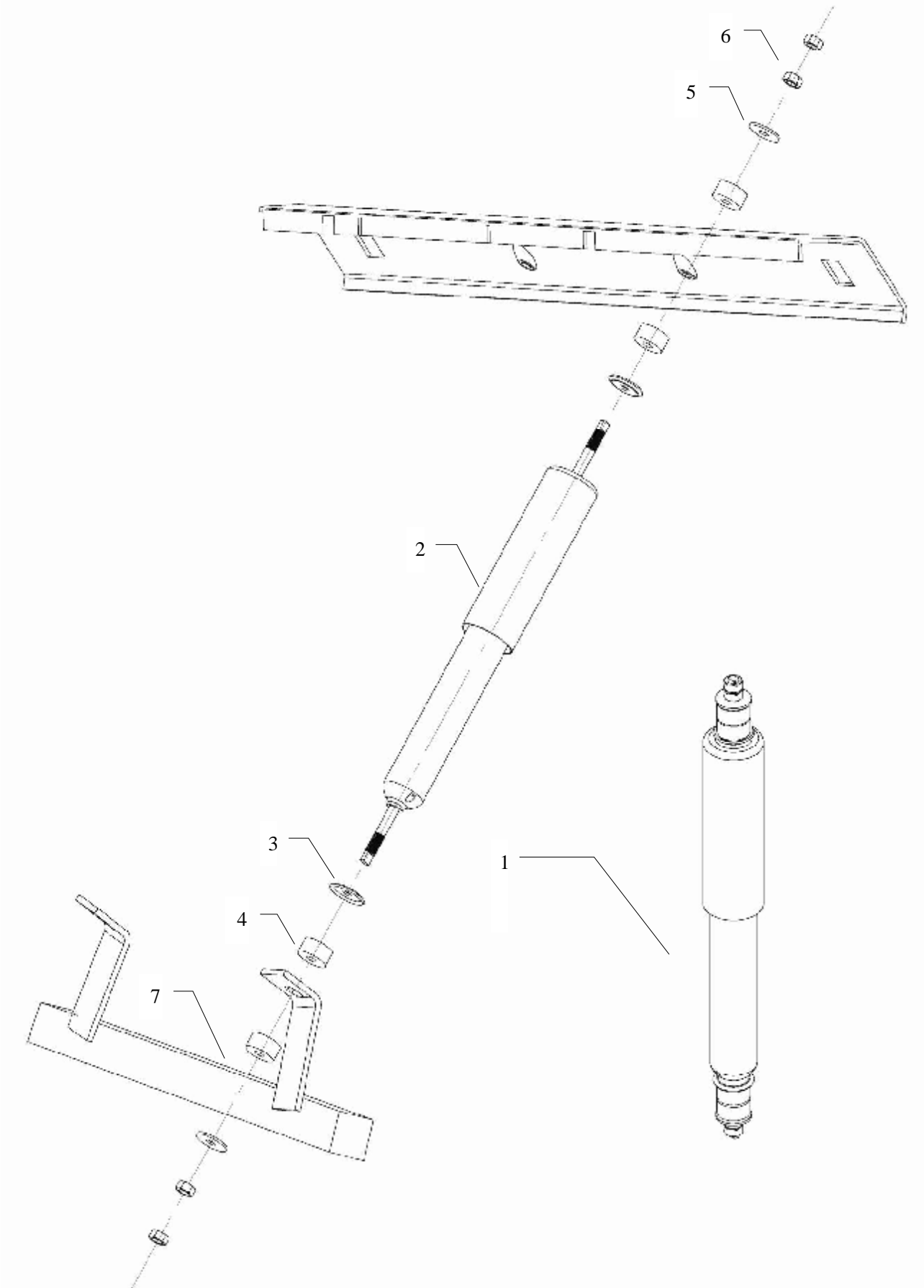
6-2 Rear Suspension(后悬架总成)



6-2 Rear Suspension(后悬架总成)

| Item | Part No | Description | 中文名称 | Qty | Remark |
|------|--------------------|-------------------------------------|--------------------|-----|----------------|
| 1 | 2508100-013 | Rear leaf spring assembly | 后钢板弹簧总成 | 2 | EG2028K |
| | 2508100-014 | Rear leaf spring assembly | 后钢板弹簧总成 | 2 | Except EG2028K |
| 2 | 2024-5101010 | Carling frame | 纵梁(包含在车架中) | 2 | |
| 3 | 2401120-EG2024-00B | Left half axle sleeving | 左半轴管(包含在后桥中) | 1 | |
| 4 | Q150B1090 | hexagon Bolt M10×90 | 六角头螺栓 M10×90 | 4 | |
| 5 | 2509015-036 | Shackle | 吊耳片-后板簧 | 4 | |
| 6 | 2509114-036 | Flange bush | 后板簧凸肩护套(厚) (4个) | 12 | |
| 7 | 2509016-036 | Separation cover | 后板簧隔离套 | 4 | |
| 8 | Q340B10 | Nut M10 | 1型六角螺母 M10 | 16 | |
| 9 | Q40310 | Spring washer M10 | 弹垫 M10 | 16 | |
| 10 | Q40110 | Flat washer M10 | 平垫圈 M10 | 16 | |
| 11 | 2509111-036 | U bolt M10 | 后板簧 U形螺栓 | 4 | |
| 12 | 2509012-036 | Protruding bolt on rear leaf spring | 后板簧凸肩螺栓 | 2 | |

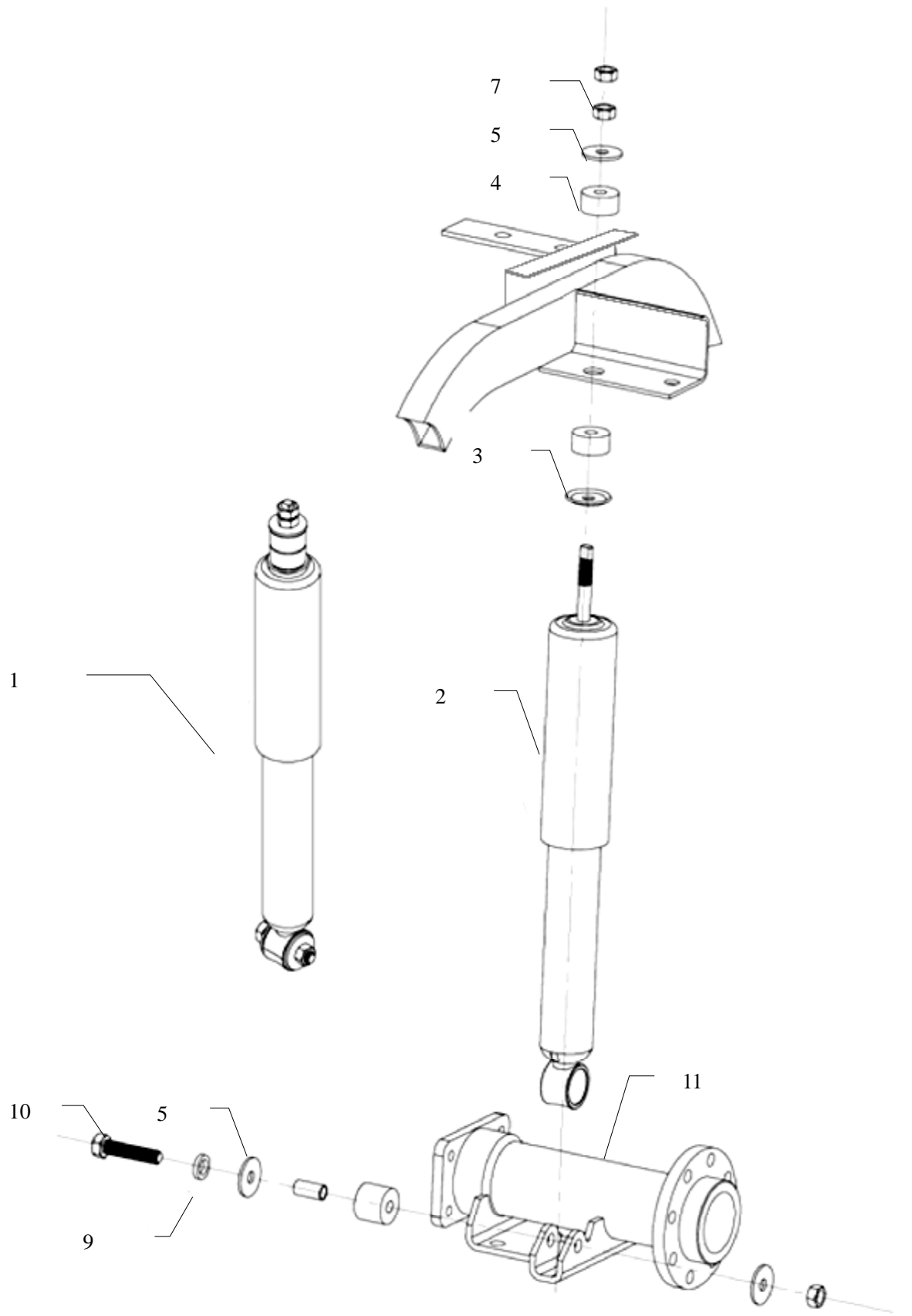
6-3 Front Shock Absorber(前減震器)



6-3 Front Shock Absorber(前减震器)

| Item | Part No | Description | 中文名称 | Qty | Remark |
|------|-----------------|--------------------------------|---------------|-----|--------|
| 1 | 2504100-003 | Front shock absorber assembly | 前减震器总成(包含2-6) | 2 | |
| 2 | S30 (301) -0001 | Front shock absorber assembly | 防尘罩 | 2 | |
| 3 | S30 (201) -0001 | Inner retainer | 垫圈 | 4 | |
| 4 | S30 (201) -0002 | Upper cushion | 橡胶衬套 | 8 | |
| 5 | S30 (201) -0001 | Inner retainer | 垫圈 | 4 | |
| 6 | Q340B10 | Nut M10 | 螺母 M10×1 | 8 | |
| 7 | 2300000-004 | Front axle assembly | 前桥总成 | 1 | |
| | 2300000-006 | Front axle assembly(hydraulic) | 液压前桥总成 | 1 | |

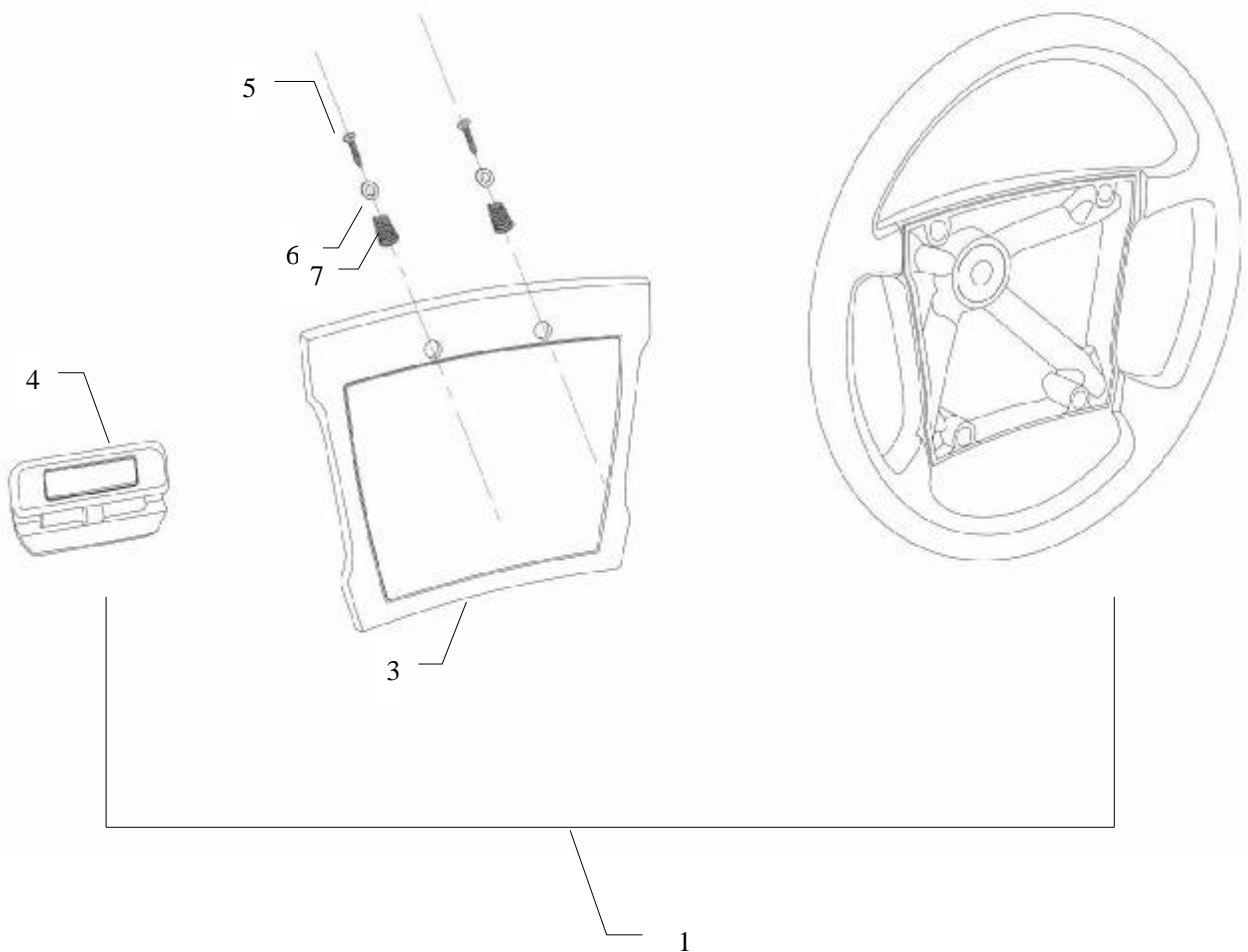
6-4 Rear Shock Absorber(后减震器)



6-4 Rear Shock Absorber(后减震器)

| Item | Part No | Description | 中文名称 | Qty | Remark |
|------|-----------------|-------------------------------|---------------|-----|--------|
| 1 | 2511100-005 | Rear shock absorber assembly | 后减震器总成(包含2-7) | 2 | |
| 2 | S30 (301) -0001 | Front shock absorber assembly | 防尘罩 | 2 | |
| 3 | S30 (201) -0001 | Inner retainer (2) | 垫圈 | 2 | |
| 4 | S30 (201) -0002 | Upper cushion | 橡胶衬套 | 2 | |
| 5 | S30 (201) -0001 | Inner retainer (2) | 垫圈 | 2 | |
| 7 | Q340B10 | Nut M10 | 螺母 M10×1 | 2 | |
| 9 | Q40310 | Spring washer M10 | 弹垫 M10 | 2 | |
| 10 | Q150B1050 | Hex head bolt M10×50 | 六角头螺栓 M10×50 | 2 | |

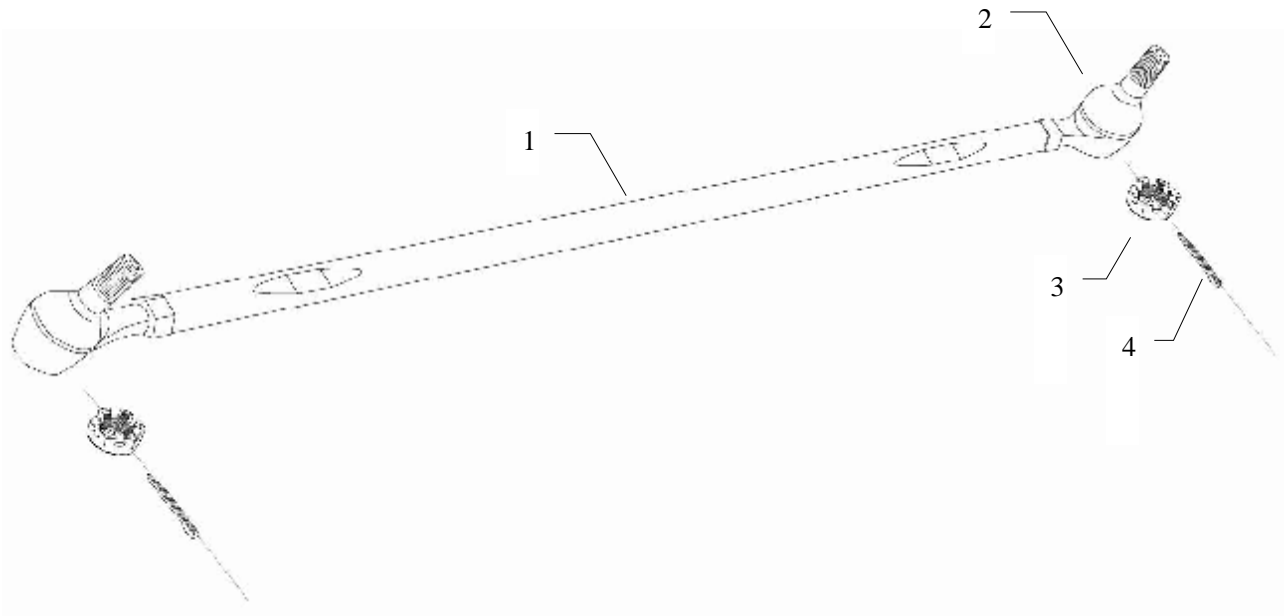
7-1 Steering Wheel Assembly(方向盘总成)



7-1 Steering Wheel Assembly(方向盘总成)

| Item | Part No | Description | 中文名称 | Qty | Remark |
|------|--------------|-----------------------------------|-----------|-----|--------|
| 1 | 2702100-007 | Steering wheel assembly (plastic) | 方向盘总成(普通) | 1 | |
| | 2702100-006 | Steering wheel assembly (timber) | 方向盘总成(桃木) | 1 | |
| 3 | 2024-2704017 | Steering wheel cover | 方向盘盖 | 1 | |
| 4 | 2024-2704016 | Folder | 记分夹 | 1 | |
| 5 | Q2714230 | Self-tapping screw | 自攻螺钉 | 2 | |
| 6 | Q40205-304H | washer | 平垫圈 | 2 | |
| 7 | | Spring | 弹簧 | 2 | |

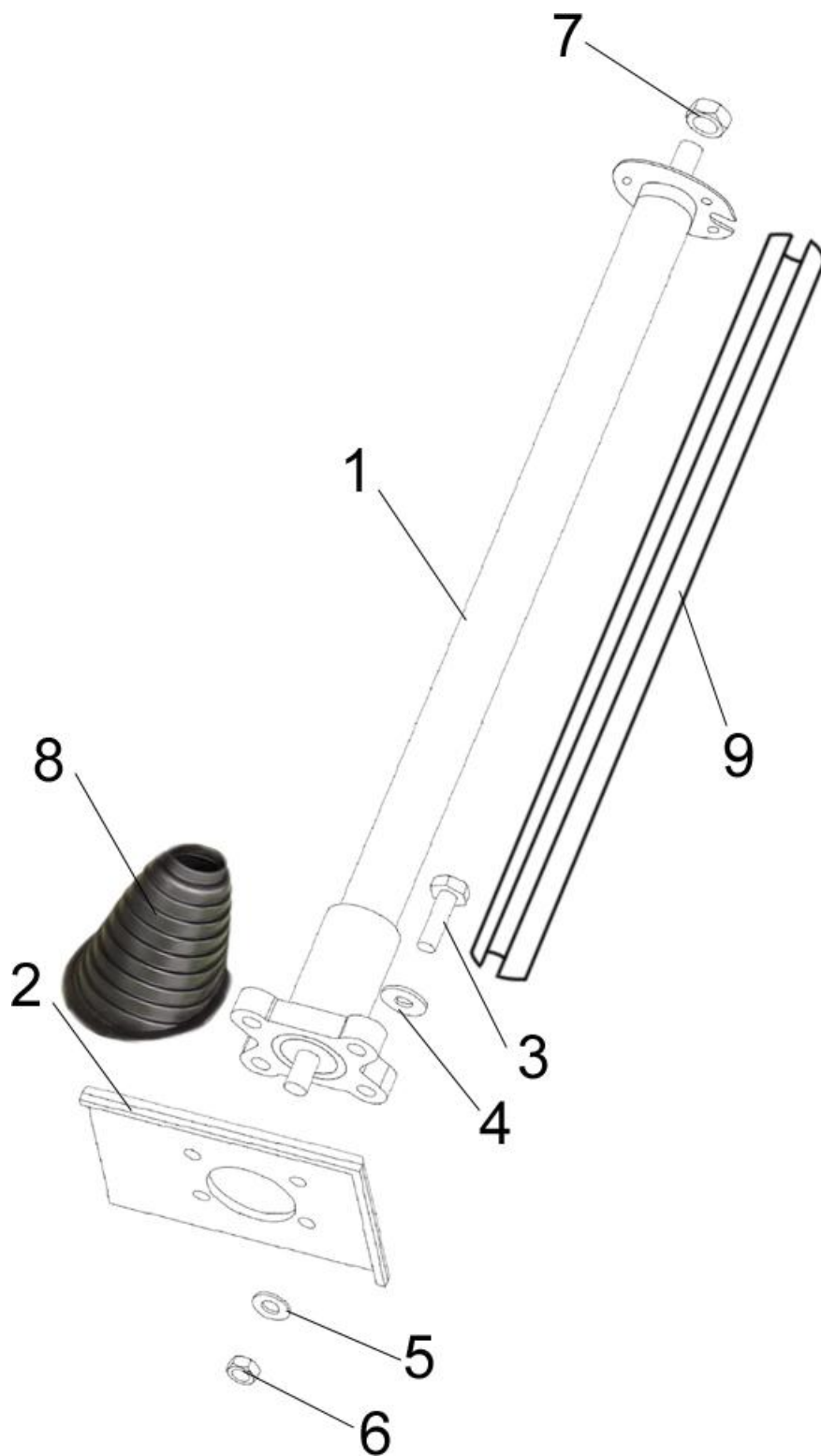
7-2 Tie Rod(横拉杆)



7-2 Tie Rod(横拉杆)

| Item | Part No | Description | 中文名称 | Qty | Remark |
|------|-------------|------------------------------|------------------------|-----|--------|
| 1 | 2706100-036 | Tie rod | 转向横拉杆总成 | 1 | |
| | 2706100-037 | Tie rod(hydraulic) | 液压横拉杆 | 1 | |
| 2 | 2706120-036 | Tie rod joint | 横拉杆球头 | 2 | |
| 3 | Q381C12 | Slotted nut M12 | 1 型六角开槽螺母—细牙 M12 | 2 | |
| 4 | Q5000225 | Split pin $\Phi 2 \times 25$ | 开口销 $\Phi 2 \times 25$ | 2 | |

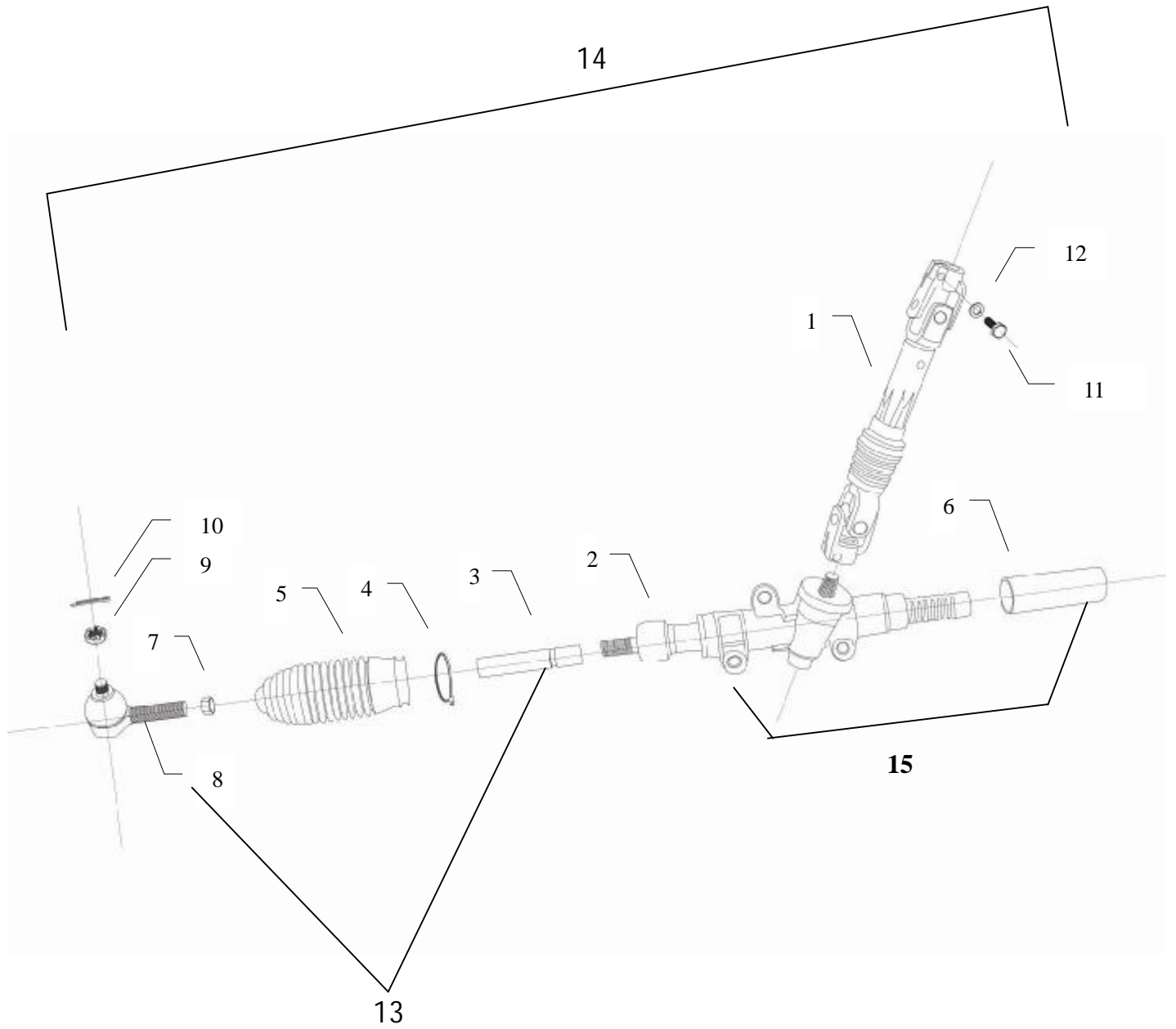
7-3 Steering Shaft Assembly(转向轴总成)



7-3 Steering Shaft Assembly(转向轴总成)

| Item | Part No | Description | 中文名称 | Qty | Remark |
|------|-------------|-------------------------|--------------------|-----|--------|
| 1 | 2705100-005 | Steering shaft assembly | 转向轴管总成 | 1 | |
| 2 | | Bracket steering shaft | 转向管柱支架 | 1 | |
| 3 | Q150B1040 | Hex head bolt M10×40 | 六角头螺栓 M10×40 | 4 | |
| 4 | Q40110 | Flat washer M10 | 平垫圈 M10 | 4 | |
| 5 | Q40310 | Spring washer M10 | 弹垫 M10 | 4 | |
| 6 | Q340B10 | Nut M10 | 1 型六角螺母 M10 | 4 | |
| 7 | Q32624 | Hex head lock nut M24 | 2 型非金属嵌件六角锁紧螺母 M24 | 1 | |
| 8 | 2712011-036 | Steering shaft bushing | 方向柱护罩 | 1 | |
| 9 | 2712012-036 | Steering shaft jacket | 方向柱护套 | 1 | |

7-4 Steering Gear Assembly(转向器总成)

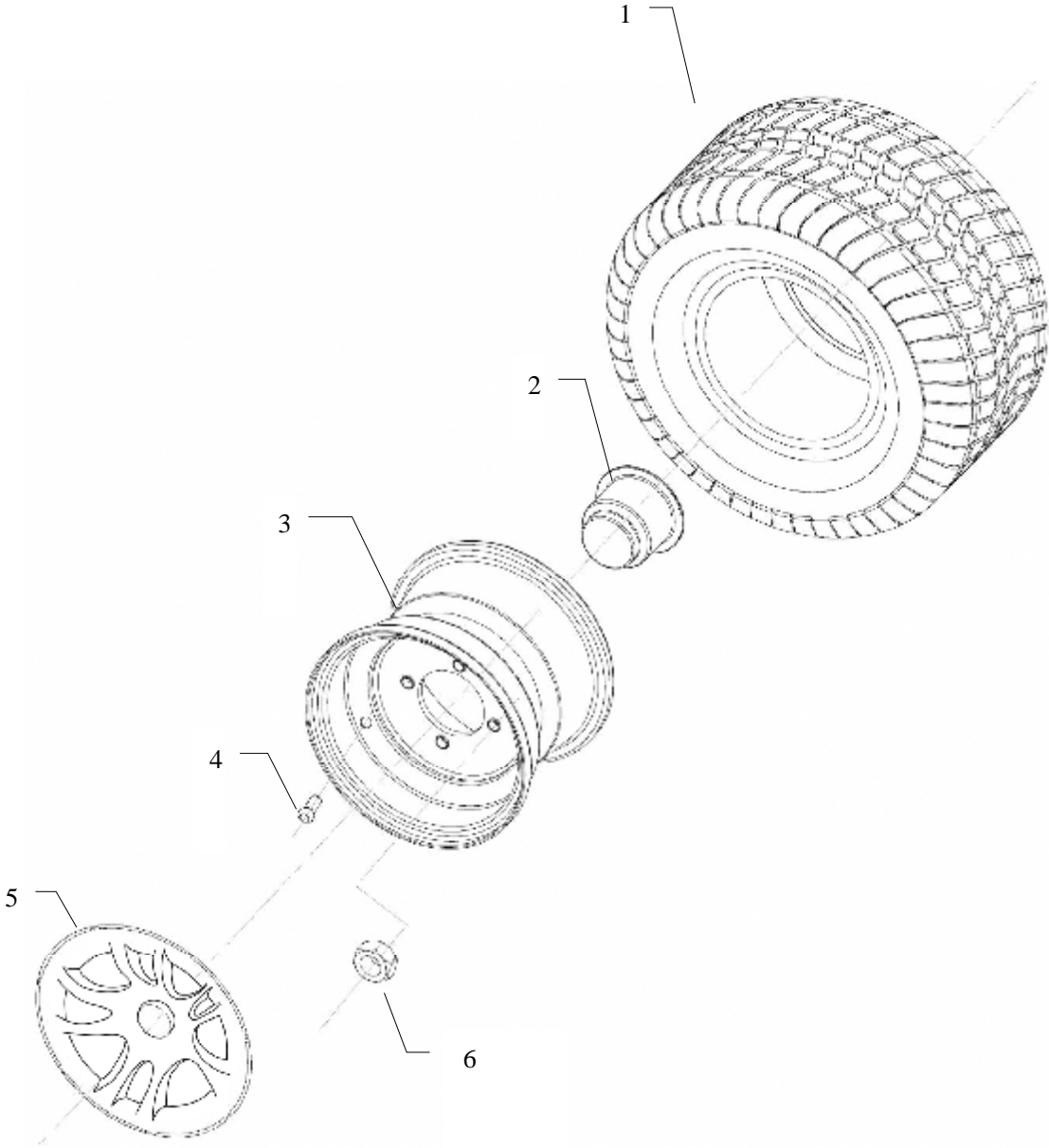


7-4 Steering Gear Assembly(转向器总成)

| Item | Part No | Description | 中文名称 | Qty | Remark |
|------|----------------|--|--------------------------|-----|---|
| 1 | 2704300-009 | Transmission steering shaft assembly | 转向中间轴总成 | 1 | EG2028K,EG2048HCX,EG2048KSF,EG2048KSZ,EG2068K |
| | 2704300-010 | Transmission steering shaft assembly | 转向中间轴总成(加长) | 1 | EG2028H,EG2028KSF,EG2028KSZ,EG2048K |
| 2 | LT3401020BM2 | Steering gear housing & steering rack | 转向器壳体组件 | 1 | |
| 3 | LT3401070BM2-1 | Rod | 连杆 | 1 | |
| 4 | S-NLZD-5*200 | Tie | 扎带 | 1 | |
| 5 | 2701112-008 | Dustproof cover | 防尘罩 | 1 | |
| 6 | 2701111-008 | Rear dustproof cap | 齿条护套 | 1 | |
| 7 | Q340B14-304H | Hex head nut M14 | 1 型六角螺母 M14 | 1 | |
| 8 | 2701220-008 | Ball connector | 球头 | 1 | |
| 9 | Q381C12 | Slotted nut M12 | 1 型六角开槽螺母 一细牙 M12 | 1 | |
| 10 | Q5000225 | Split pin $\Phi 2 \times 25$ | 开口销 $\Phi 2 \times 25$ | 1 | |
| 11 | Q150B0825-304H | Hex head Bolt M8 \times 25 | 六角头螺栓 M8 \times 25 | 1 | |
| 12 | Q40308-304H | Spring washer M8 | 弹垫 M8 | 1 | |
| 13 | 2701200-036 | Puller (include item 3,8-10) | 转向直拉杆总成 (包含 3.8.9.10) | 1 | |
| | 2701200-037 | Steering drag rod Assembly includes 3,8-10 (hydraulic) | 液压转向直拉杆总成(含 3.8.9.10) | 1 | |
| 14 | | Steering gear assembly (include item 2, 4-6) | 转向器总成(包含 2.4.5.6) | 1 | |
| 15 | 2701100-008 | Redirector Assembly (include item2, 6) | 方向机总成 (包含 2,6) | 1 | |

8-1 Wheel & Tyre (车轮)

Steel Rim & Tyre (钢圈及轮胎)

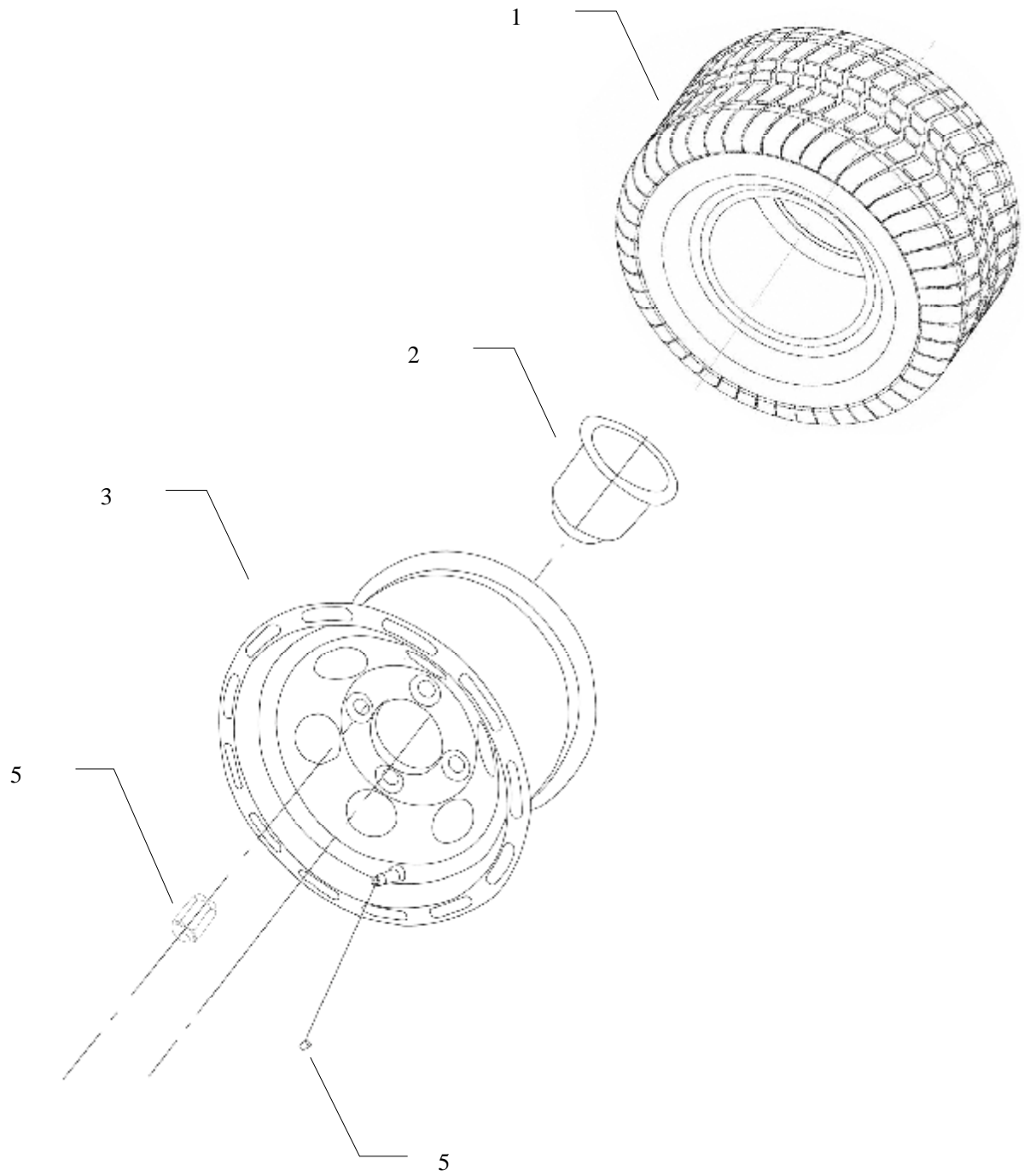


8-1 Wheel& Tyre (车轮)

Steel Rim&Tyre (钢圈及轮胎)

| Item | Part No | Description | 中文名称 | Qty | Remark |
|------|-------------|-------------------|-----------------|-----|--------|
| 1 | 205 / 50-10 | Tyre 205/50-10 | 轮胎 205/50-10 | 4 | |
| | 2602100-012 | Tyre 18*8.5-8 4PR | 轮胎 18*8.5-8 4PR | 4 | |
| | 2602100-013 | Tyre 18*8.5-8 6PR | 轮胎 18*8.5-8 6PR | 4 | |
| 2 | 2600114-048 | Hubcap | 大轴端盖 | 2 | |
| 3 | 2601100-014 | 10' Steel Rim | 10'钢圈 | 4 | |
| | 2601100-015 | 8' Steel Rim | 8'钢圈 | 4 | |
| 4 | 2601210-004 | Tyre valve | 气门嘴 | 4 | |
| 5 | 2603110-014 | Rim cap 10' | 10' 轮罩 | 4 | |
| 6 | 2600012-013 | Wheel nut | 轮胎螺母 | 16 | |

10' Aluminum Wheel&Tyre(10'铝圈车轮)

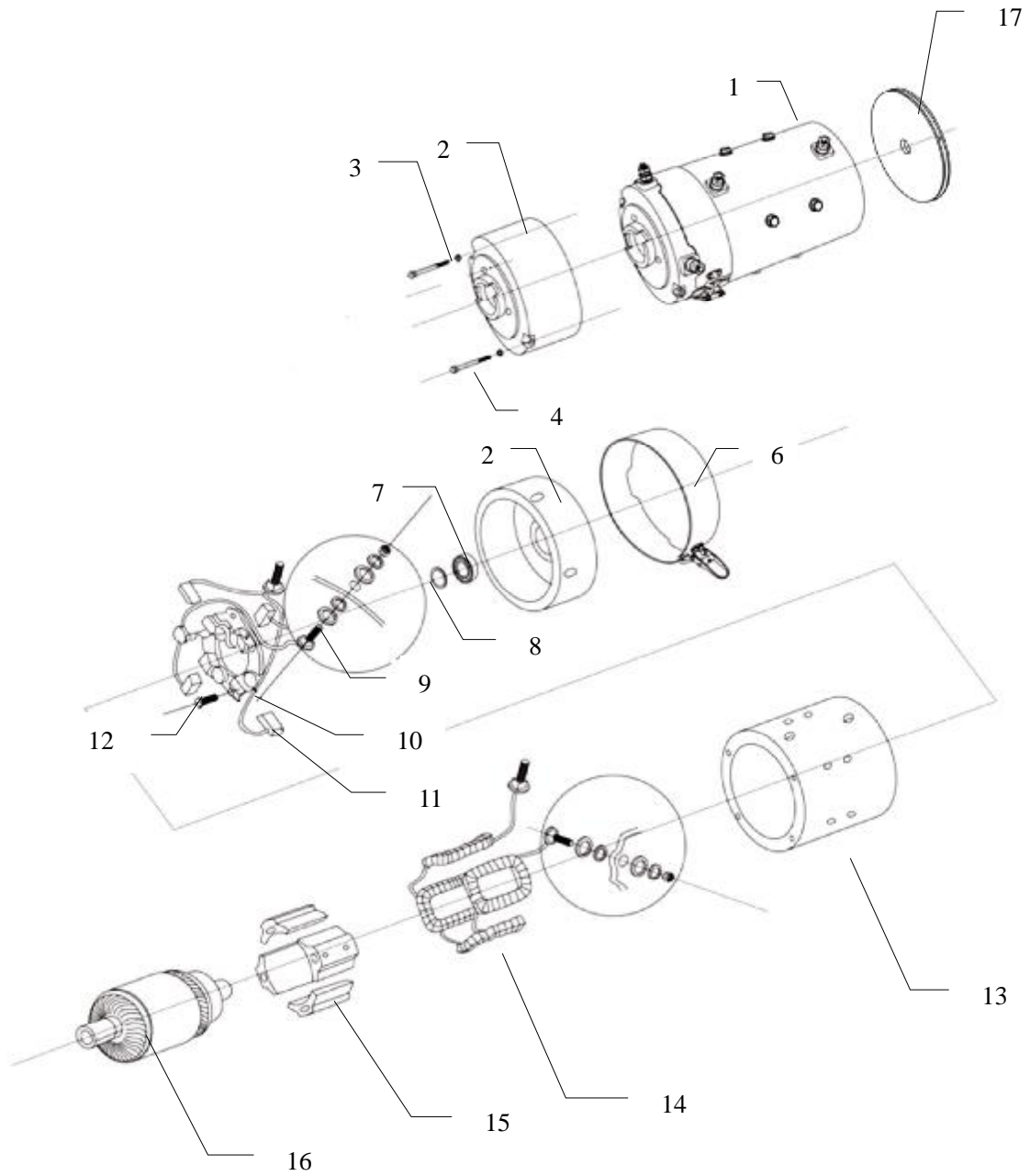


10' Aluminum Wheel&Tyre (10'铝圈车轮)

| Item | Part No | Description | 中文名称 | Qty | Remark |
|------|---------------|--------------|------|-----|--------|
| 1 | 205 / 50-10 | Tyre | 轮胎 | 4 | |
| 2 | 2024-2301002A | Hubcap | 大轴端盖 | 2 | |
| 3 | 2601100-016 | Aluminum rim | 铝圈 | 4 | |
| 4 | 2601210-004 | Tyre valve | 气门嘴 | 4 | |
| 5 | 2600012-012 | Wheel nut | 轮胎螺母 | 16 | |

9-1 Motor (电机)

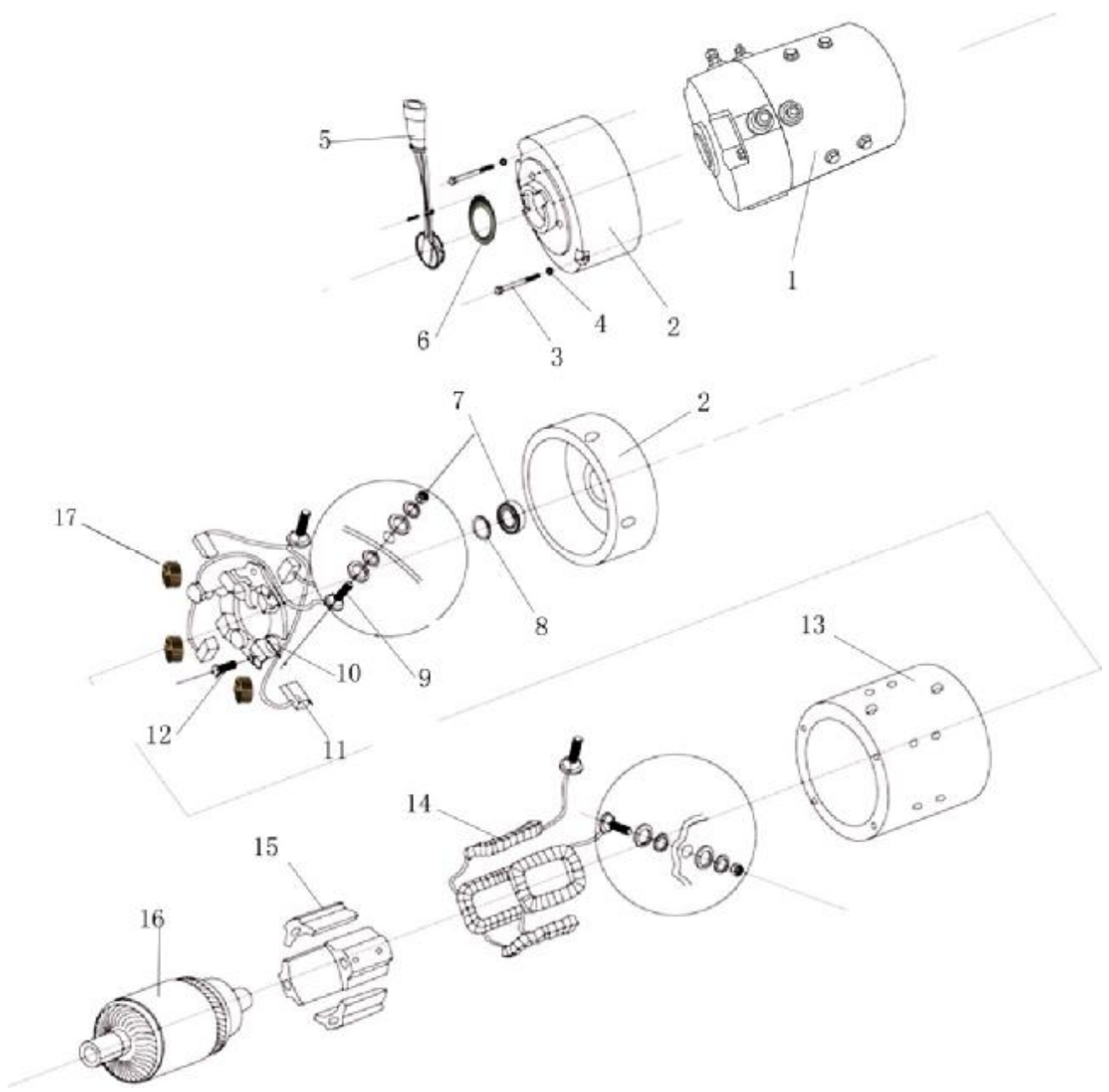
36V/3KW ADC Motor Assembly(36V/3KW ADC 电机总成)



36V/3KW ADC Motor Assembly(36V/3KW ADC 电机总成)

| Item | Part No | Description | 中文名称 | Qty | Remark |
|------|--------------|--|----------------------|-----|--------|
| 1 | 1003000-016 | Motor assembly (36V/3KW ADC) | 36V/3KW ADC 电机总 成 | 1 | |
| 2 | MT-002 | Commutator end of cover | 外壳换向器末端 | 1 | |
| 3 | MT-003 | Bolt | 螺栓 | 2 | |
| 4 | MT-004 | Spring washer | 弹垫 | 2 | |
| 6 | MT-006 | Carbon brush examine and repair cap | 碳刷检修盖 | 1 | |
| 7 | MT-007 | Bearing | 轴承 | 1 | |
| 8 | MT-008 | Gland ring | 压紧环 | 1 | |
| 9 | MT-009 | Armature binding post | 电枢接线柱 | 2 | |
| 10 | | Brush spring | 电刷弹簧 | 4 | |
| 11 | DE4-4011/020 | Carbon brush | 碳刷 | 4 | |
| 12 | MT-012 | Bolt | 螺栓 | 4 | |
| 13 | MT-013 | Motor case | 电机壳体 | 1 | |
| 14 | MT-014 | Field coil kit | 励磁线圈 | 4 | |
| 15 | MT-015 | Pole core | 磁极铁心 | 4 | |
| 16 | MT-016 | Armature | 电枢 | 1 | |
| 17 | 2024-3029101 | Motor protect jacket | 电机防护套 | 1 | |

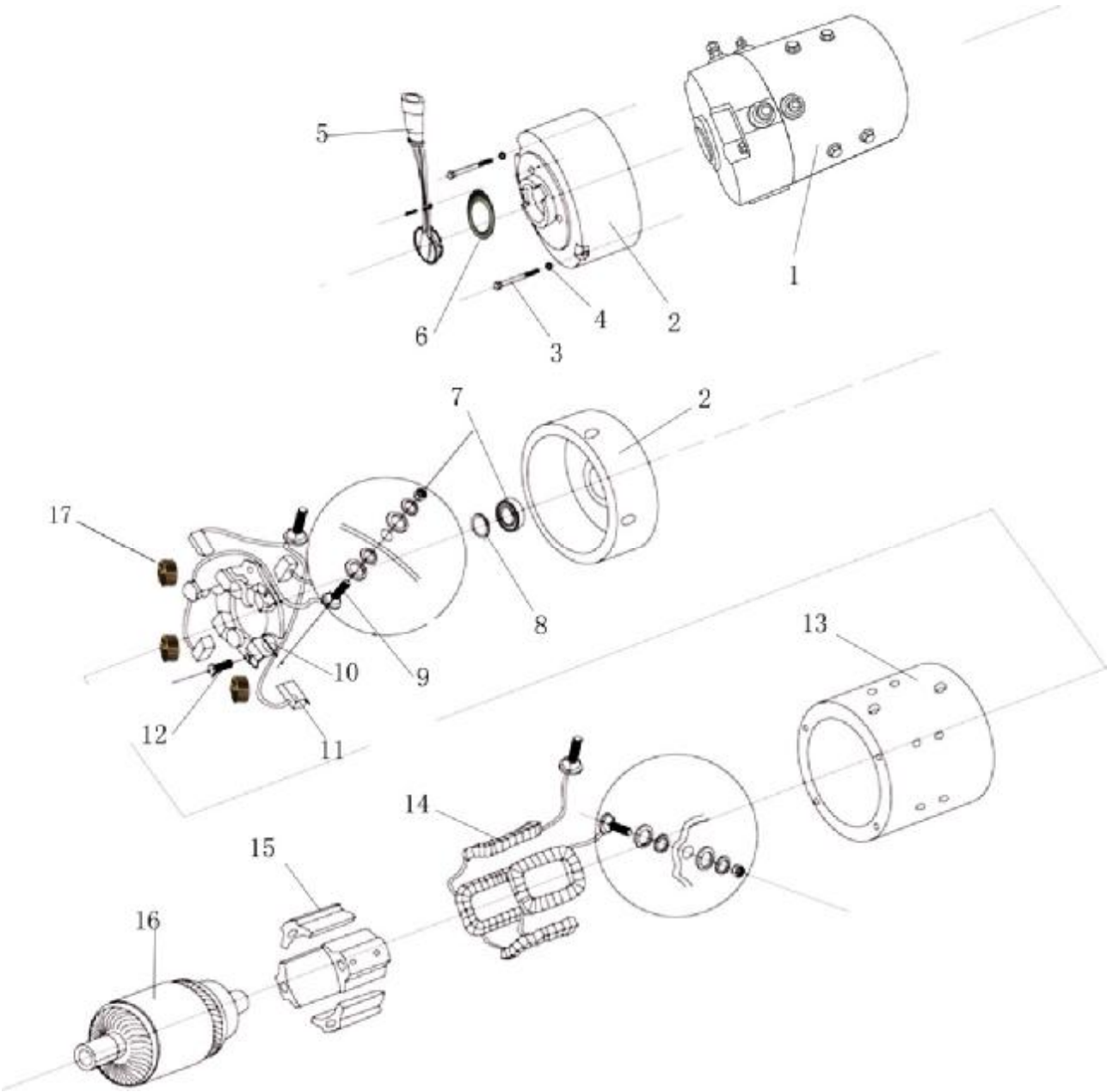
48V/3KW Motor Assembly (48V 3千瓦电机总成)



48V/3KW Motor Assembly (48V 3 千瓦电机总成)

| Item | Part No | Description | 中文名称 | Qty | Remark |
|------|-----------------|--------------------------------|-------------|-----|---------|
| 1 | 1003000-017 | Motor assembly Changyin | 电机总成(常银) | 1 | Chinese |
| | 1003000-017 | Motor assembly ADC | 电机总成(ADC) | 1 | ADC |
| 2 | MT-002 | Commutator end of cover | 外壳换向器末端 | 1 | Chinese |
| | | Commutator end of cover | 外壳换向器末端 | | ADC |
| 3 | MT-003 | Bolt | 螺栓 | 2 | Chinese |
| | | Bolt | 螺栓 | | ADC |
| 4 | MT-004 | Spring washer | 弹垫 | 2 | Chinese |
| | | Spring washer | 弹垫 | | ADC |
| 5 | 3202020-005 | Speed sensor | 速度传感器 | 1 | Chinese |
| | 3202020-004 | Speed sensor for ADC motor | 速度传感器 (ADC) | 1 | ADC |
| 6 | 10PMS08-01 | magnet coil | 磁环 | 1 | Chinese |
| | ZQS-002 | magnet coil | 磁环 | 1 | ADC |
| 7 | MT-007 | Bearing | 轴承 | 1 | Chinese |
| | | Bearing | 轴承 | | ADC |
| 8 | MT-008 | Gland ring | 压紧环 | 1 | Chinese |
| | | Gland ring | 压紧环 | | ADC |
| 9 | MT-009 | Armature binding post | 电枢接线柱 | 2 | Chinese |
| | | Armature binding post | 电枢接线柱 | | ADC |
| 10 | XQ-3-4/040 | Brush shelf | 刷架 | 4 | Chinese |
| | | Brush shelf | 刷架 | | ADC |
| 11 | XQ-3-4/020 | Carbon brush(Chinese motor) | 碳刷(常银) | 4 | Chinese |
| | ZQS48-3.8-T/020 | Carbon brush(ADC motor) | 碳刷(ADC 电机) | | ADC |
| 12 | MT-012 | Bolt | 螺栓 | 4 | Chinese |
| | | Bolt | 螺栓 | | ADC |
| 13 | MT-013 | Motor case | 电机壳体 | 1 | Chinese |
| | | Motor case | 电机壳体 | | ADC |
| 14 | MT-014 | Field coil kit | 励磁线圈 | 4 | Chinese |
| | | Field coil kit | 励磁线圈 | | ADC |
| 15 | MT-015 | Pole core | 磁极铁心 | 4 | Chinese |
| | | Pole core | 磁极铁心 | | ADC |
| 16 | MT-016 | Armature | 电枢 | 1 | Chinese |
| | | Armature | 电枢 | | ADC |
| 17 | XQ-3-4/030 | Brush spring | 压簧 | | Chinese |
| | | Brush spring | 压簧 | | ADC |

48V/3.8KW Motor (48V/3.8KW 电机)



48V/3.8KW Motor (48V/3.8KW 电机)

| Item | Part No | Description | 中文名称 | Qty | Remark |
|------|-----------------|--------------------------------|-------------|-----|---------|
| 1 | 1003000-018 | Motor assembly Changyin | 电机总成(常银) | 1 | Chinese |
| | 1003000-031 | Motor assembly ADC | 电机总成(ADC) | | ADC |
| 2 | MT-002 | Commutator end of cover | 外壳换向器末端 | 1 | Chinese |
| | | Commutator end of cover | 外壳换向器末端 | | ADC |
| 3 | MT-003 | Bolt | 螺栓 | 2 | Chinese |
| | | Bolt | 螺栓 | | ADC |
| 4 | MT-004 | Spring washer | 弹垫 | 2 | Chinese |
| | | Spring washer | 弹垫 | | ADC |
| 5 | 3202020-005 | Speed sensor for Chinese motor | 速度传感器(常银) | 1 | Chinese |
| | 3202020-004 | Speed sensor for ADC motor | 速度传感器 (ADC) | 1 | ADC |
| 6 | 10PMS08-01 | magnet coil | 磁环 | 1 | Chinese |
| | ZQS-002 | magnet coil | 磁环 | 1 | ADC |
| 7 | MT-007 | Bearing | 轴承 | 1 | Chinese |
| | | Bearing | 轴承 | | ADC |
| 8 | MT-008 | Gland ring | 压紧环 | 1 | Chinese |
| | | Gland ring | 压紧环 | | ADC |
| 9 | MT-009 | Armature binding post | 电枢接线柱 | 2 | Chinese |
| | | Armature binding post | 电枢接线柱 | | ADC |
| 10 | XQ-3.8/040 | Brush shelf | 刷架 | 4 | Chinese |
| | | Brush shelf | 刷架 | | ADC |
| 11 | XQ-3.8/020 | Carbon brush for Chinese motor | 碳刷(国产电机) | 4 | Chinese |
| | ZQS48-3.8-T/020 | Carbon brush for ADC motor | 碳刷(ADC 电机) | | ADC |
| 12 | MT-012 | Bolt | 螺栓 | 4 | Chinese |
| | | Bolt | 螺栓 | | ADC |
| 13 | MT-013 | Motor case | 电机壳体 | 1 | Chinese |
| | | Motor case | 电机壳体 | | ADC |
| 14 | MT-014 | Field coil kit | 励磁线圈 | 4 | Chinese |
| | | Field coil kit | 励磁线圈 | | ADC |
| 15 | MT-015 | Pole core | 磁极铁心 | 4 | Chinese |
| | | Pole core | 磁极铁心 | | ADC |
| 16 | MT-016 | Armature | 电枢 | 1 | Chinese |
| | | Armature | 电枢 | | ADC |
| 17 | XQ-3.8/030 | Brush spring | 压簧 | 1 | Chinese |
| | | Brush spring | 压簧 | | ADC |

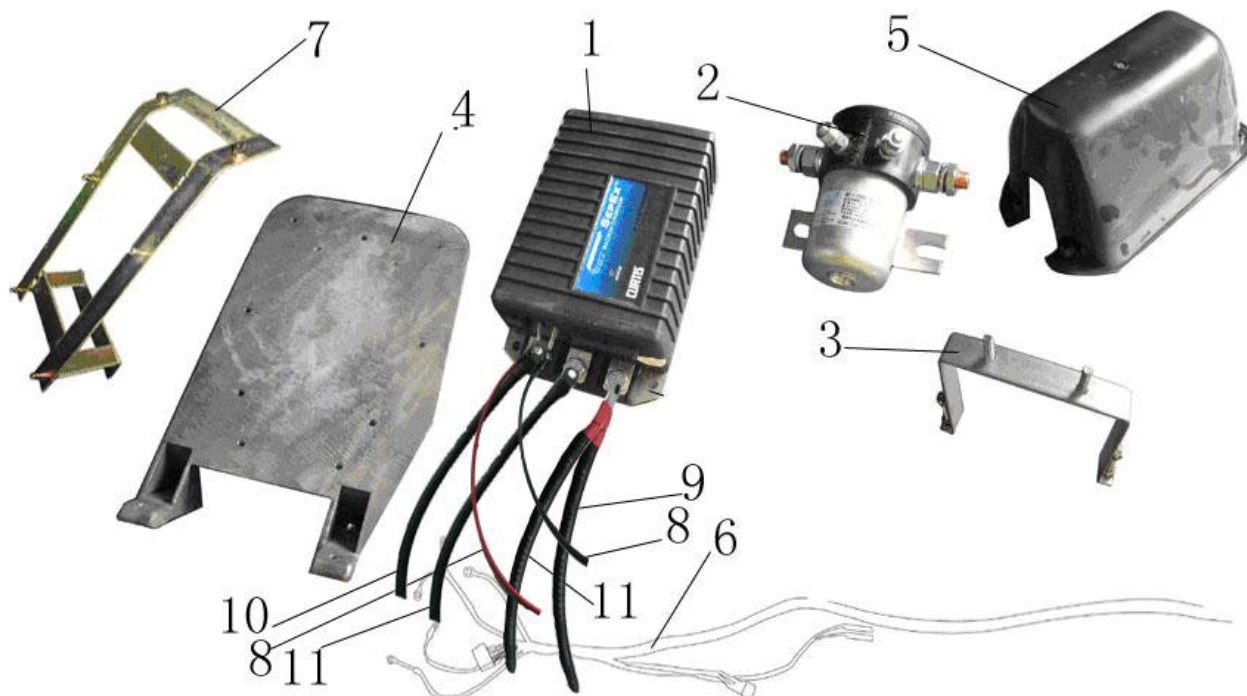
48V/5.3 KW Motor (48V/5.3 KW 电机)

48V/3KW AC Motor (48V/3KW 交流电机)

48V/4KW AC Motor (48V/4KW 交流电机)

9-2 Controller (电控)

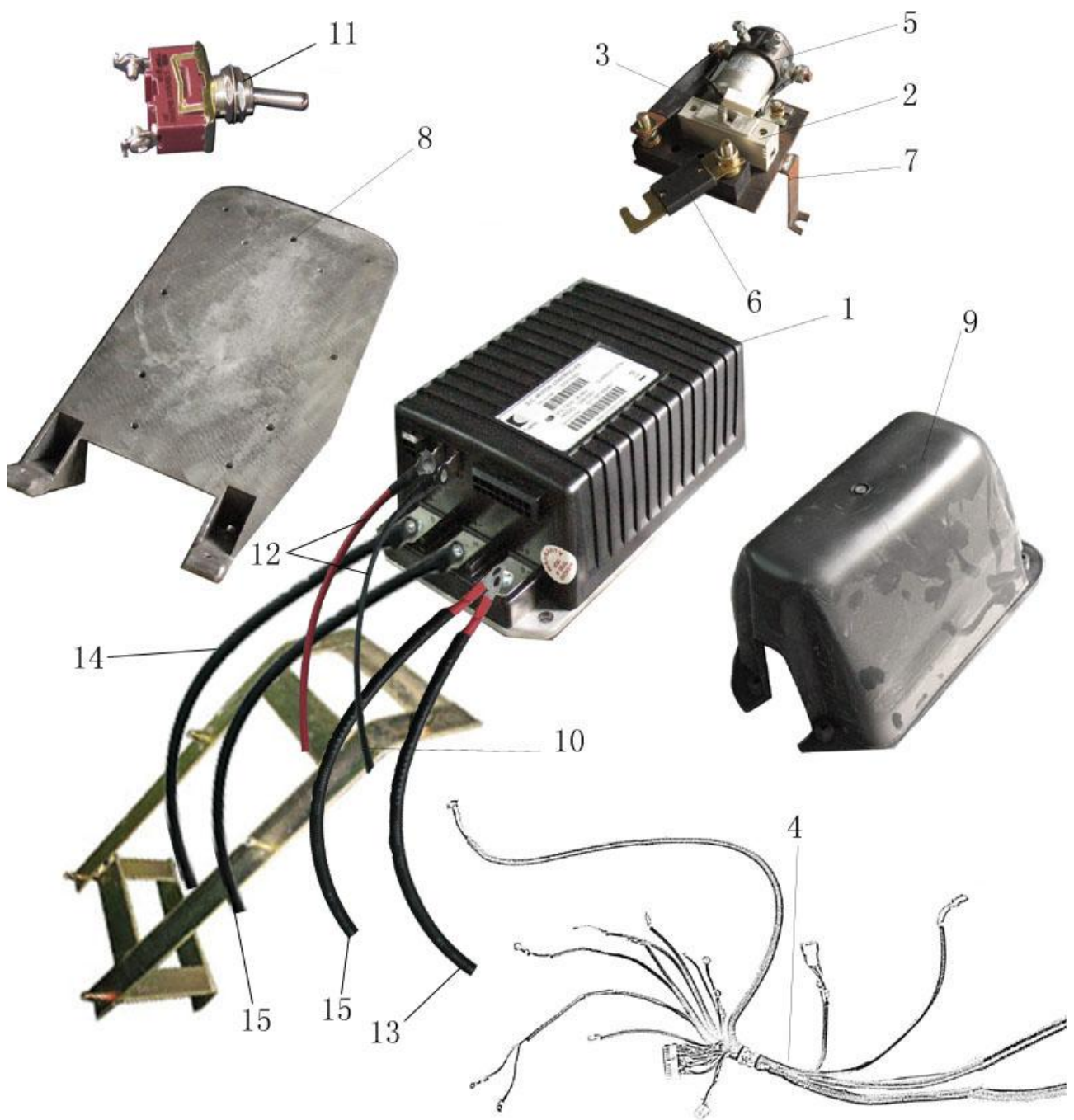
Electronic Controller Assembly 1243 (1243 型号 电控总成)



Electronic Controller Assembly 1243 (1243 型号 电控总成)

| Item | Part No | Description | 中文名称 | Qty | Remark |
|------|--------------|---|---|-----|------------------------------------|
| 1 | 1005100-012 | Controller 1243 | 1243 控制器 | 1 | |
| 2 | 1005200-005 | Main contactor | 主接触器 | 1 | |
| 3 | 2024-1005305 | Main contactor bracket | 主接触器支架 | 1 | |
| 4 | 1005021-005 | Heat diffusion plate | 散热板 | 1 | |
| 5 | 1005011-001 | Controller Dustproof cover | 电控防尘罩 | 1 | |
| 6 | 3302000-001 | Controller harness assembly | 控制器线束总成 | 1 | |
| 7 | 1005080-001 | Controller fixation bracket | 电控安装支架 | 1 | |
| 8 | 3313030-036 | Connecting wire (red&black) 8 ² x1100mm | 连接线 8 ² x1100mm (Φ8 铜片, 6.3 插头) 红黑对称 | 2 | 1100mm/8 square/D6.3C, 8E-8 square |
| 9 | 3313020-021 | Power wire 25 ² x600mm (Negative) | 电源线 YH 25 ² x600mm(负极) | 1 | 600mm/25 square |
| 10 | 3313020-002 | Power wire 25 ² x800mm(Positive) | 电源线 YH 25 ² x800mm(正极) | 1 | 800mm/25 square |
| 11 | 3313030-003 | Connecting wire 25 ² x1000mm (red&black) | 连接线 YH-25 ² x1000mm 红黑对称 | 2 | 1000mm/25 square |

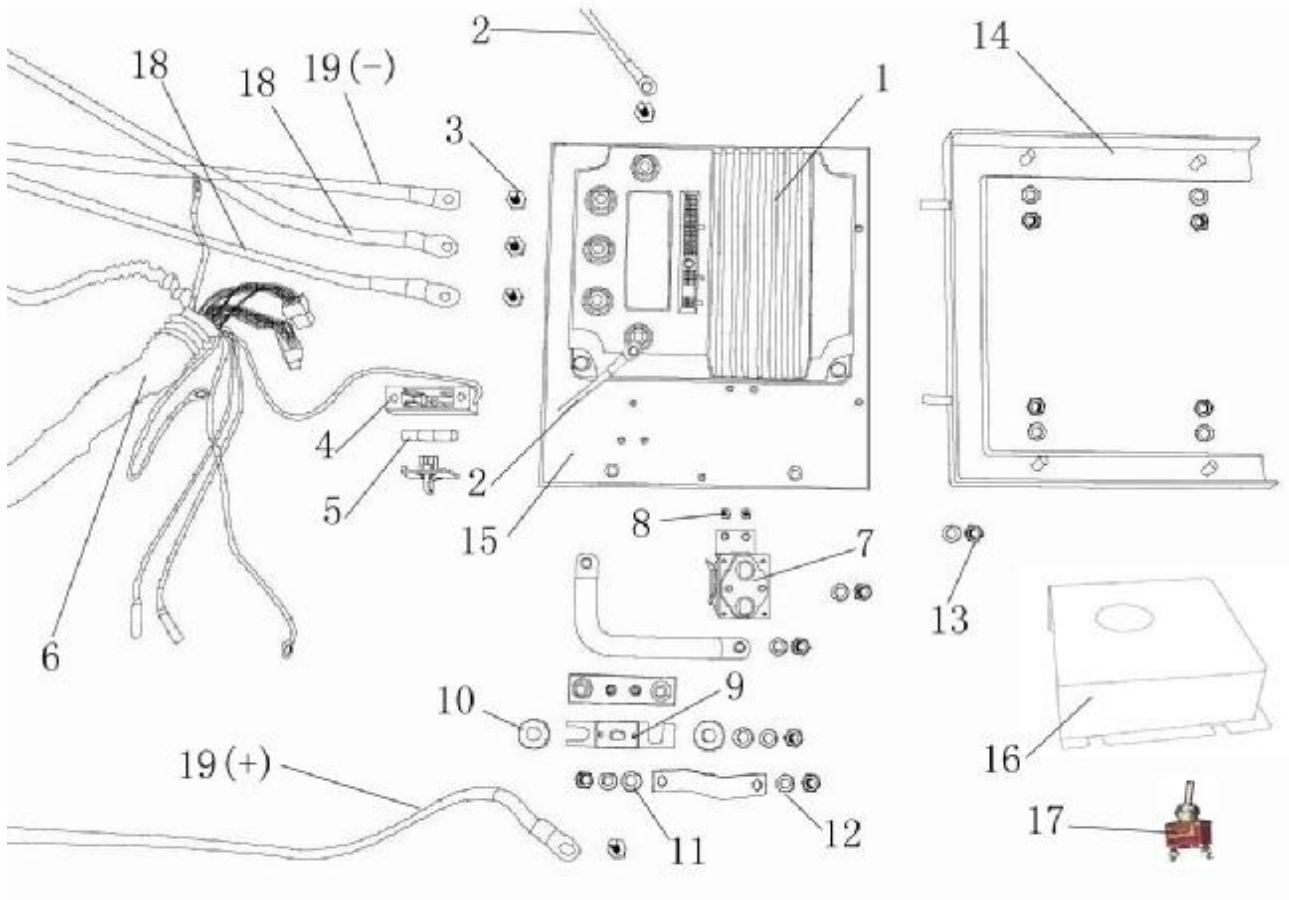
Electronic Controller Assembly 1266 (1266 电控总成)



Electronic Controller Assembly 1266 (1266 电控总成)

| Item | Part No | Description | 中文名称 | Qty | Remark |
|------|--------------|--|---|-----|--|
| 1 | 1005100-013 | Controller 1266 | 1266 控制器(模块) | 1 | |
| 2 | F26-RT14 | Attach fuse holder | 附件熔断器座 | 1 | |
| 3 | 1005410-001 | Attach fuse | 附件熔断器 | 1 | 10×38/10A |
| 4 | 3302000-007 | Controller harness assembly | 控制器线束总成 | 1 | EG2028K01 |
| | 3302000-011 | Controller harness assembly | 控制器线束总成 | 1 | EG2048K |
| 5 | 1005200-006 | Main contactor | 主接触器 | 1 | |
| 6 | F26-ANL-250A | Main fuse | 主熔断器 | 1 | 250A |
| 7 | 1005013-002 | Main contactor bracket | 主接触器支架 | 1 | |
| 8 | 1005021-005 | Heat diffusion plate | 散热板 | 1 | |
| 9 | 1005011-001 | Controller Dustproof cover | 电控防尘罩 | 1 | |
| 10 | 1005080-001 | Controller fixation bracket | 电控安装支架 | 1 | |
| 11 | 3032020-001 | Tow/Run switch | 功能选择开关 | 1 | |
| 12 | 3313030-036 | Connecting wire (red&black) 8 ² x1100mm | 连接线 8 ² x1100mm (Φ8 铜片, 6.3 插头) 红黑对称 | 2 | 1100mm/8 square/D6.3C, 8E-8 square |
| 13 | 3313020-021 | Power wire 25 ² x600mm (Positive) | 电源线 YH 25 ² x600mm(正极) | 1 | 600mm/25 square |
| 14 | 3313020-002 | Power wire 25 ² x800mm(Negative) | 电源线 YH 25 ² x800mm(负极) | 1 | 800mm/25 square |
| 15 | 3313030-003 | Connecting wire 25 ² x1000mm (red&black) | 连接线 YH-25 ² x1000mm 红黑对称 | 2 | 1000mm/25 square |

Electronic Controller Assembly 1268 (1268 电控总成)



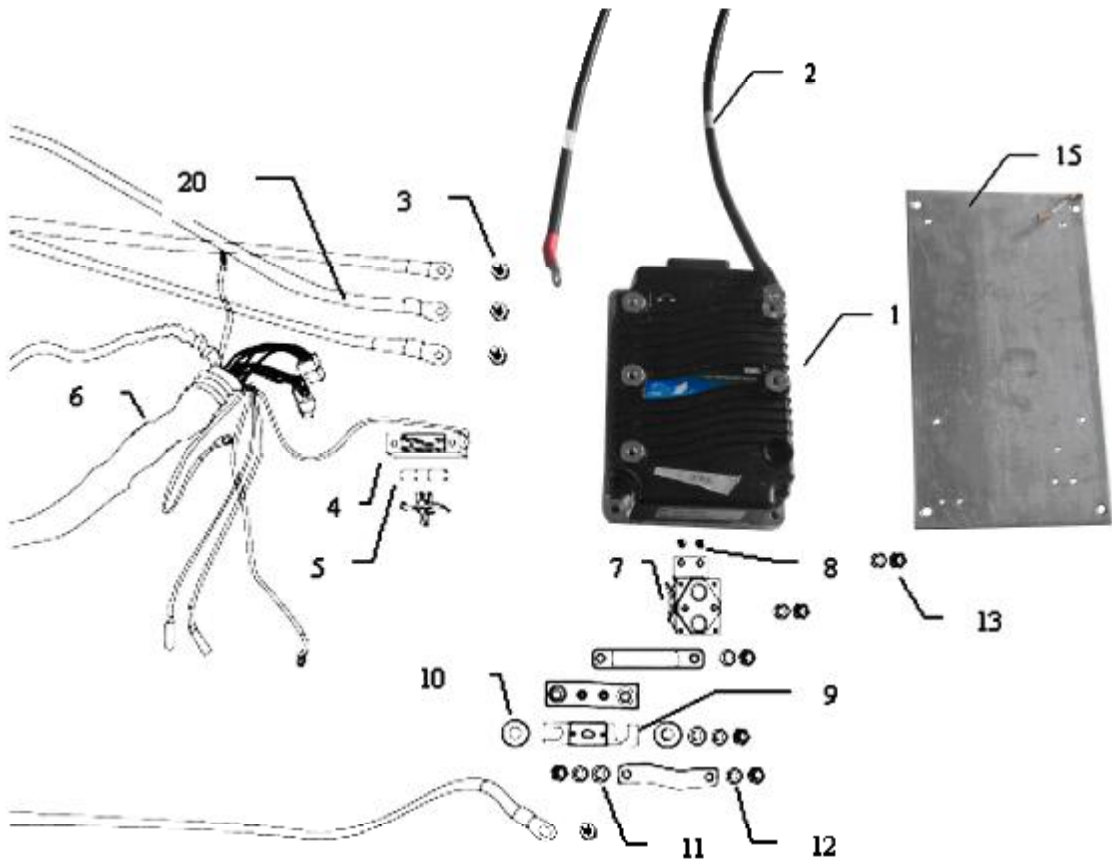
Electronic Controller Assembly 1268 (1268 电控总成)

| Item | Part No | Description | 中文名称 | Qty | Remark |
|------|--------------|---|---|-----|--|
| 1 | 1005100-007 | Controller 1268 | 控制器 | 1 | |
| 2 | 3313030-005 | Connect wire 8 ² ×1100mm (red&black) | 连接线 8 ² ×1100m m | 2 | 1100mm/8 square/D6.3C, 8E-8 square |
| | 3313030-007 | Connect wire 8 ² ×2100mm(red&black) | 连接线 8 ² ×2100m m | 2 | 2100mm/8 square |
| 3 | Q150B0820 | Hex head bolt M8×20 | 外六角螺栓 M8×20 | 5 | |
| 4 | F26-RT14 | Attach fuse holder | 附件熔断器座 | 1 | |
| 5 | F26-R005-20A | Attach fuse | 附件熔断器 | 1 | 10×38/20A |
| 6 | 3302000-008 | Controller harness assembly | 控制器线束总 成 | 1 | EG2028K02,EG2028K03, EG2028H,EG2028KSF,EG2028KSZ |
| | 3302000-020 | Controller harness assembly | 控制器线束总 成 | 1 | EG2048H, EG2048HCX, EG2048K02,EG2048KSF, EG2048KSZ,EG2068K |
| 7 | 1005200-004 | Main contactor | 主接触器 | 1 | |
| 8 | Q2140412 | Cross slot pan head bolt M4×12 | 十字槽盘头螺 钉 M4×12 | 2 | |
| 9 | F26-ANL-350A | Main fuse | 主熔断器 | 1 | 350A |
| 10 | Q40208 | Big washer M8 | 加大平垫 M8 | 2 | |
| 11 | Q40108 | Washer M8 | 平垫 M8 | 10 | |
| 12 | Q40308 | Spring washer M8 | 弹垫 M8 | 10 | |
| 13 | Q340B08 | Hex head nut M8 | 1 型六角螺母 M8 | 10 | |
| 14 | 1005080-002 | Controller bracket | 控制器支架 | 1 | 1268、1244 |
| 15 | 1005021-009 | Heat diffusion plate | 散热板 | 1 | 290x270mm, controller in the seat compartment |
| | 1005021-008 | Heat diffusion plate | 散热板 | | 350x190mm, controller on the motor |
| 16 | 1005011-003 | Controller Dustproof cover | 电控防尘罩 | 1 | |
| 17 | 3032020-001 | Tow/Run Switch | 功能选择开关 | 1 | 1266/1268 |
| 18 | 3313020-021 | Power wire 25 ² ×600mm(Positi ve&Negative) | 电源线 YH 25 ² ×600m m(正极&负 极) | 2 | battery set up 6X8V |

| | | | | | |
|----|-------------|--|--|---|--|
| | 3313030-003 | Power wire 25 ² x1000mm (Positive&Negative) | 电源线 YH 25 ² x1000m m(正极&负极) | 2 | battery set up 8x6V, controller mounted on the motor |
| | 3313020-001 | Power wire 25 ² x1600mm(Positive&Negative) | 电源线 YH 25 ² x1600m m(正极&负极) | 2 | battery set up 8x6V, controller mounted in the first row of seat compartment |
| 19 | 3313030-003 | Connecting wire 25 ² x1000mm (red&black) | 连接线 YH 25 ² x1000m m-红黑对称 | 2 | battery set up 6X8V |
| | 3313030-001 | Connecting wire 25 ² x440mm (red&black) | 连接线 YH 25 ² x440m m-红黑对称 | 2 | battery set up 8x6V, controller mounted on the motor |
| | 3313030-006 | Connecting wire 25 ² x2100mm (red&black) | 连接线 YH 25 ² x2100m m-红黑对称 | 2 | battery set up 8x6V, controller mounted in the first row of seat compartment |

Electronic Controller Assembly 1234 (1234 电控总成)

Electronic Controller Assembly 1236 (1236 电控总成)

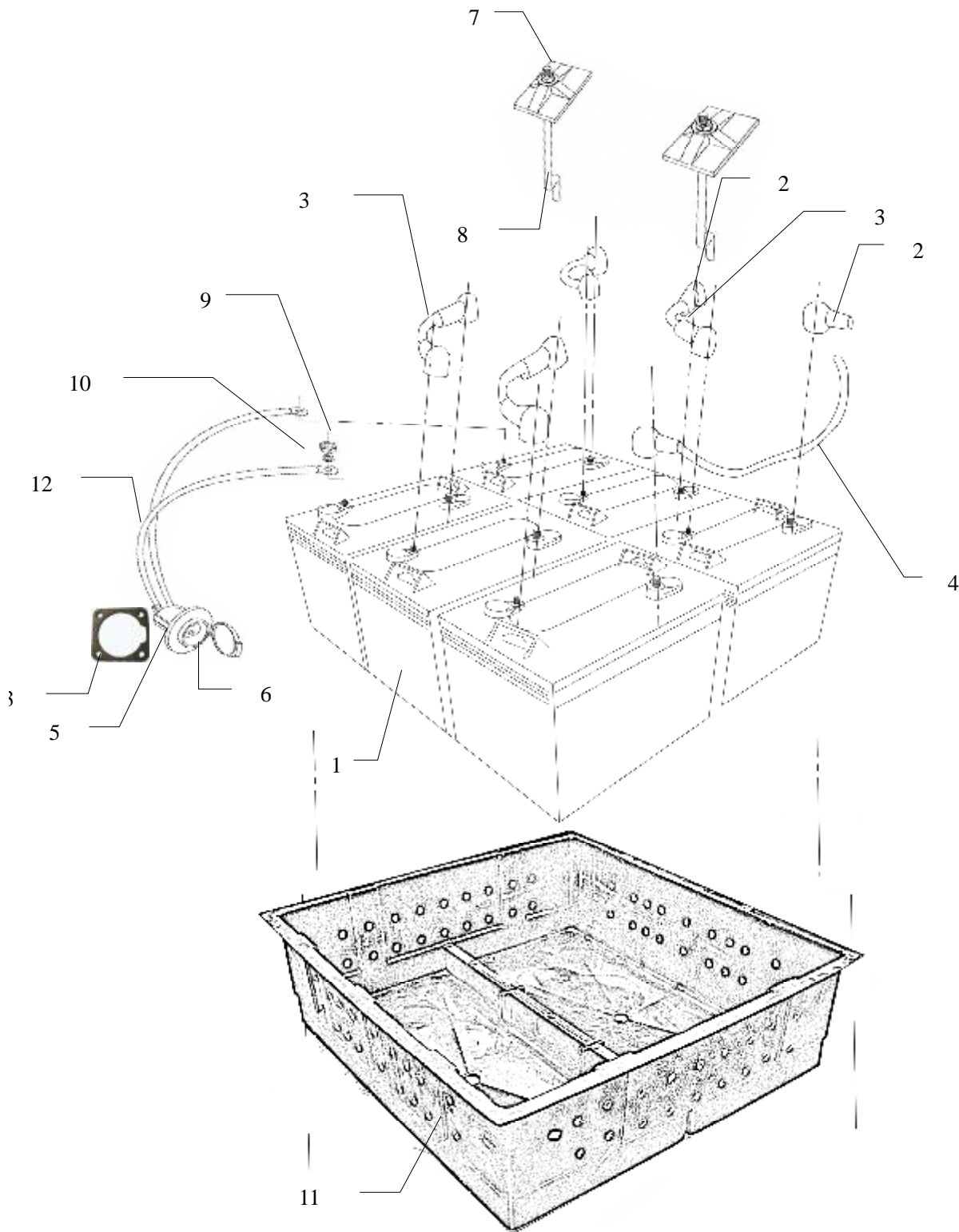


1236 Controller Assembly(1236 电控总成)

| Item | Part No | Description | 中文名称 | Qty | Remark |
|------|-------------|---------------------------------------|----------------------------------|-----|------------------|
| 1 | 1005100-010 | 1236 Controller | 1236 控制器 | 1 | |
| 2 | 3313030-003 | Connect wire | 连 接 线 25 ² ×1000mm | 2 | Black & red each |
| 3 | Q150B0820 | hexagon bolt M8×20 | 外六角螺栓 M8×20 | 5 | |
| 4 | 1005420-001 | Attach fuse socket | 附件熔断器座 | 1 | |
| 5 | 1005410-001 | Attach fuse | 附件熔断器 | 1 | 10×38/10A |
| 6 | 3302000-034 | Controller harness assembly | 控制器线束总成 | 1 | |
| 7 | SW80B- 156 | Main contactor | 主接触器 | 1 | |
| 8 | Q2140412 | Cross slot bolt M4×12 | 十字槽盘头螺钉 M4×12 | 2 | |
| 9 | 1005310-003 | Main fuse | 主熔断器 | 1 | 425A |
| 10 | Q40208 | Big gasket M8 | 加大平垫 M8 | 2 | |
| 11 | Q40108 | Gasket M8 | 平垫 M8 | 10 | |
| 12 | Q40308 | Gasket spring M8 | 弹垫 M8 | 10 | |
| 13 | Q340B08 | nut M8 | 1 型六角螺母 M8 | 10 | |
| 15 | 1005021-009 | Heat diffusion plate | 散热板 | 1 | Aluminum sheet |
| 20 | 3302000-016 | Connect wire from controller to motor | 1236 电控装电机连接 接线 | 3 | 48V |

9-3 Battery&Battery cable (电池及连线)

6x6V battery setup (6X6V 电池配置)

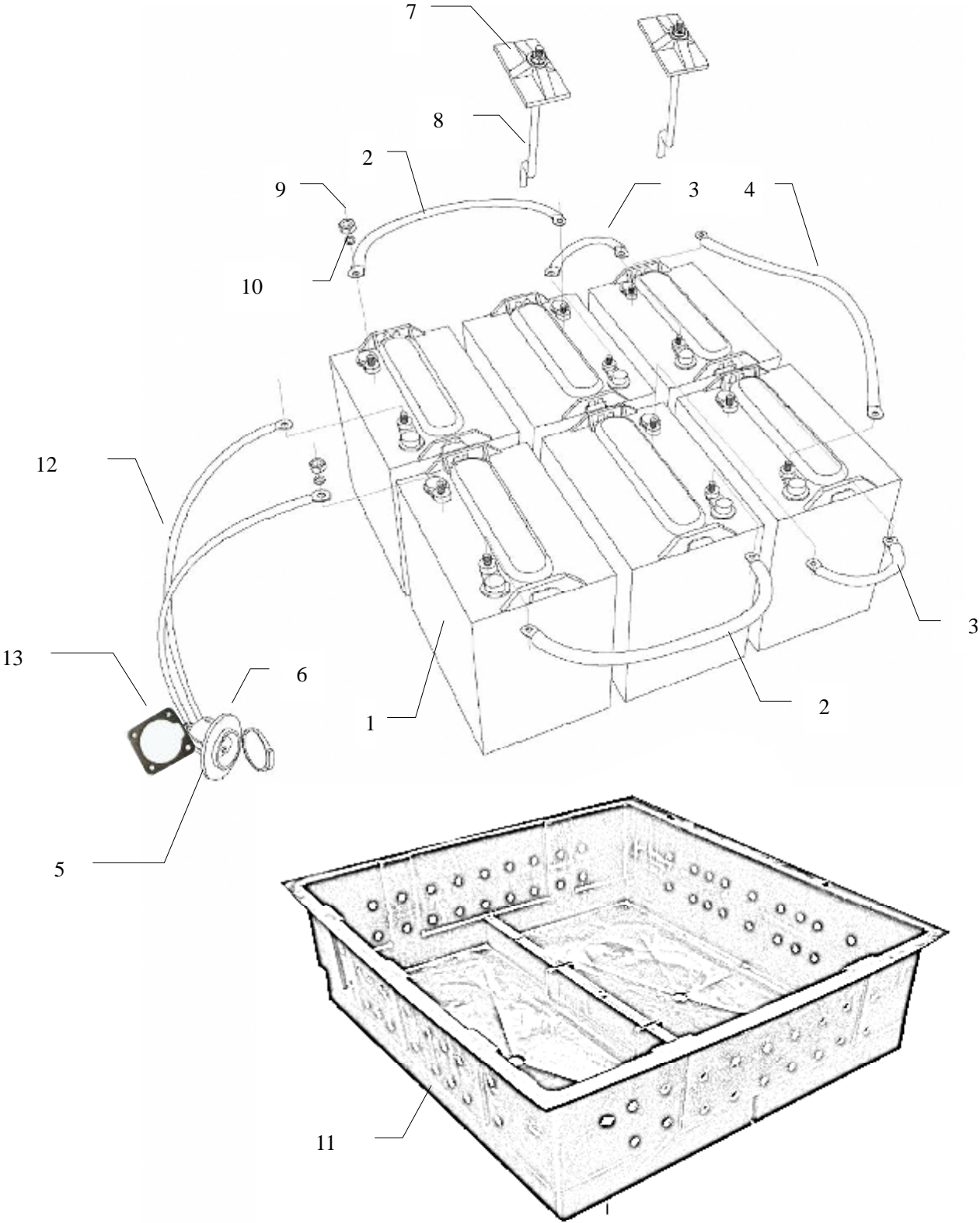


9-3 Battery&Battery cable (电池及连线)

6x6V battery setup (6X6V 电池配置)

| Item | Part No | Description | 中文名称 | Qty | Remark |
|------|--------------|--------------------------------------|----------------------------|-----|------------------------|
| 1 | 1101100-002 | Battery (T-105) | 蓄电池 (T-105) | 6 | 6V×6 |
| 2 | 1101014-002 | Battery cable jacket | 电池护套 | 12 | |
| 3 | 3313010-002 | Battery Cable 25 ² ×180mm | 连接线 25 ² ×180mm | 4 | 25 ² ×180mm |
| 4 | 3313010-005 | Battery Cable 25 ² ×300mm | 连接线 25 ² ×300mm | 1 | 25 ² ×300mm |
| 5 | 3049120-001 | Charging receptacle assembly | 充电插座总成(含0.9米导线) | 1 | |
| 6 | 3049120-019 | Charging receptacle | 充电插座 | 1 | |
| | 3049120-007 | Charging receptacle (Lester) | 充电插座 (LESSTER) | | Imported |
| 7 | 1101012-002 | Battery impact block | 蓄电池压块 | 2 | |
| 8 | 1101011-005 | Battery dead lever | 蓄电池固定杆 | 2 | |
| 9 | FB01009 | British system nut | 英制螺母 | 12 | 5/16-8 |
| 10 | Q40308-304 | Spring washer M8 | 弹垫 M8 | 12 | |
| 11 | 1101013-002 | Battery box | 电池盒 | 1 | |
| 12 | 2044-3018026 | Cable for receptacle | 充电插座线(连接线) | 2 | 102 ×900mm |
| 13 | 2024-3022002 | Press plate of receptacle | 充电插座压板 | | |

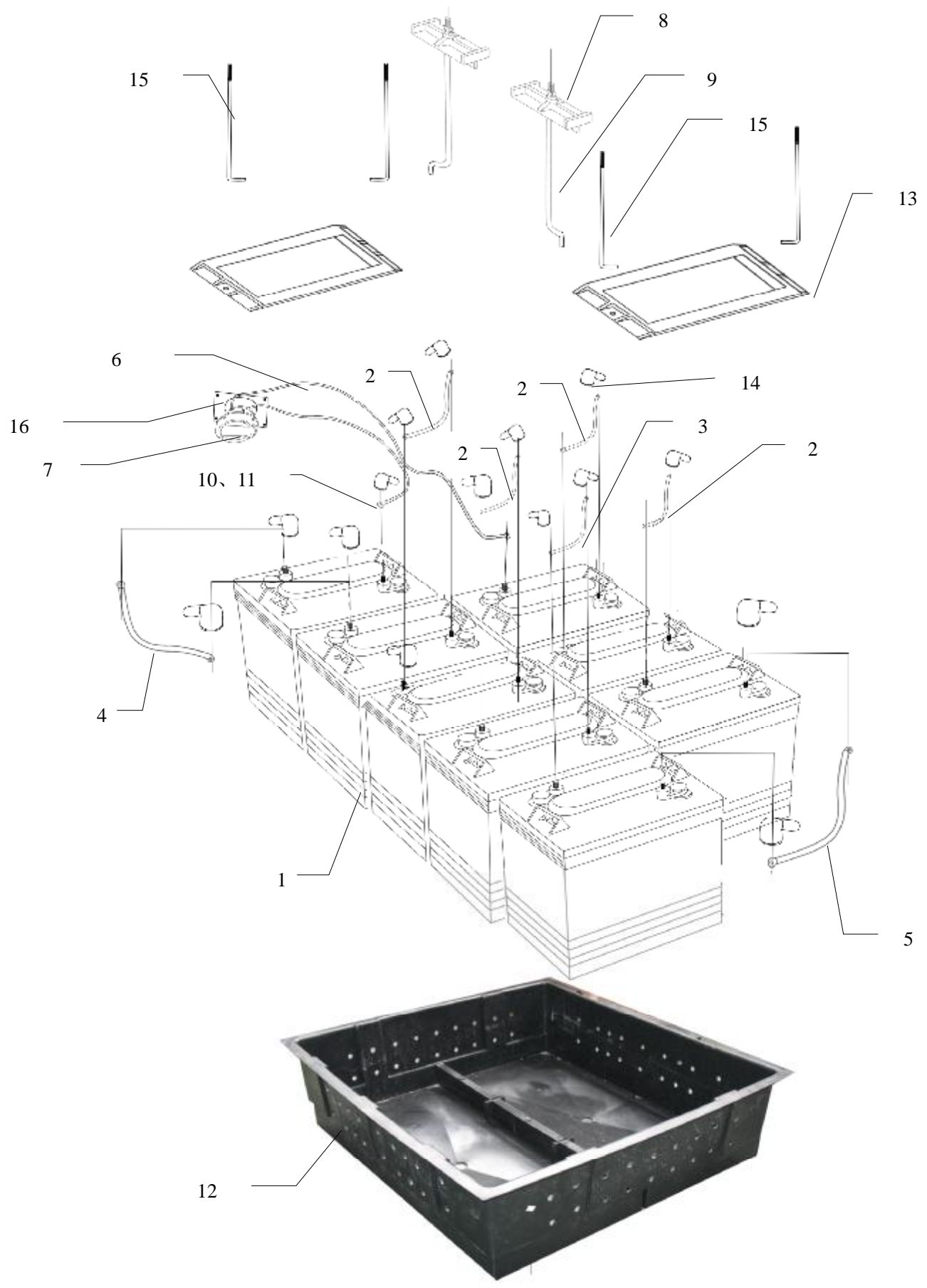
6X8V Battery Setup (6X8V 电池配置)



6X8V Battery Setup (6X8V 电池配置)

| Item | Part No | Description | 中文名称 | Qty | Remark |
|------|--------------|---------------------------|-------------|-----|------------------------|
| 1 | 1101100-004 | Battery (T-875) | 蓄电池 (T-875) | 6 | 8V×6 |
| 2 | 3313010-016 | Connect wire | 连接线 | 2 | 25 ² ×380mm |
| 3 | 3313010-001 | Connect wire | 连接线 | 2 | 25 ² ×130mm |
| 4 | 3313010-006 | Connect wire | 连接线 | 1 | 25 ² ×440mm |
| 5 | 3049120-001 | Charger harness assembly | 充电插座总成 | 1 | |
| 6 | 3049120-019 | Charger jack | 充电插座 | 1 | |
| 7 | 1101012-002 | Battery impact block | 蓄电池压块 | 2 | |
| 8 | 1101011-005 | Battery dead lever | 蓄电池固定杆 | 2 | |
| 9 | FB01009 | Nut 5/16-8 | 英制螺母 | 12 | British standard |
| 10 | Q40308-304 | Spring washer M8 | 弹垫 M8 | 12 | |
| 11 | 1101013-002 | Battery box | 电池盒 | 1 | |
| 12 | 2044-3018026 | Cable for receptacle | 充电插座线(连接线) | 2 根 | 102×900mm |
| 13 | 2024-3022002 | Press plate of receptacle | 充电插座压板 | | |

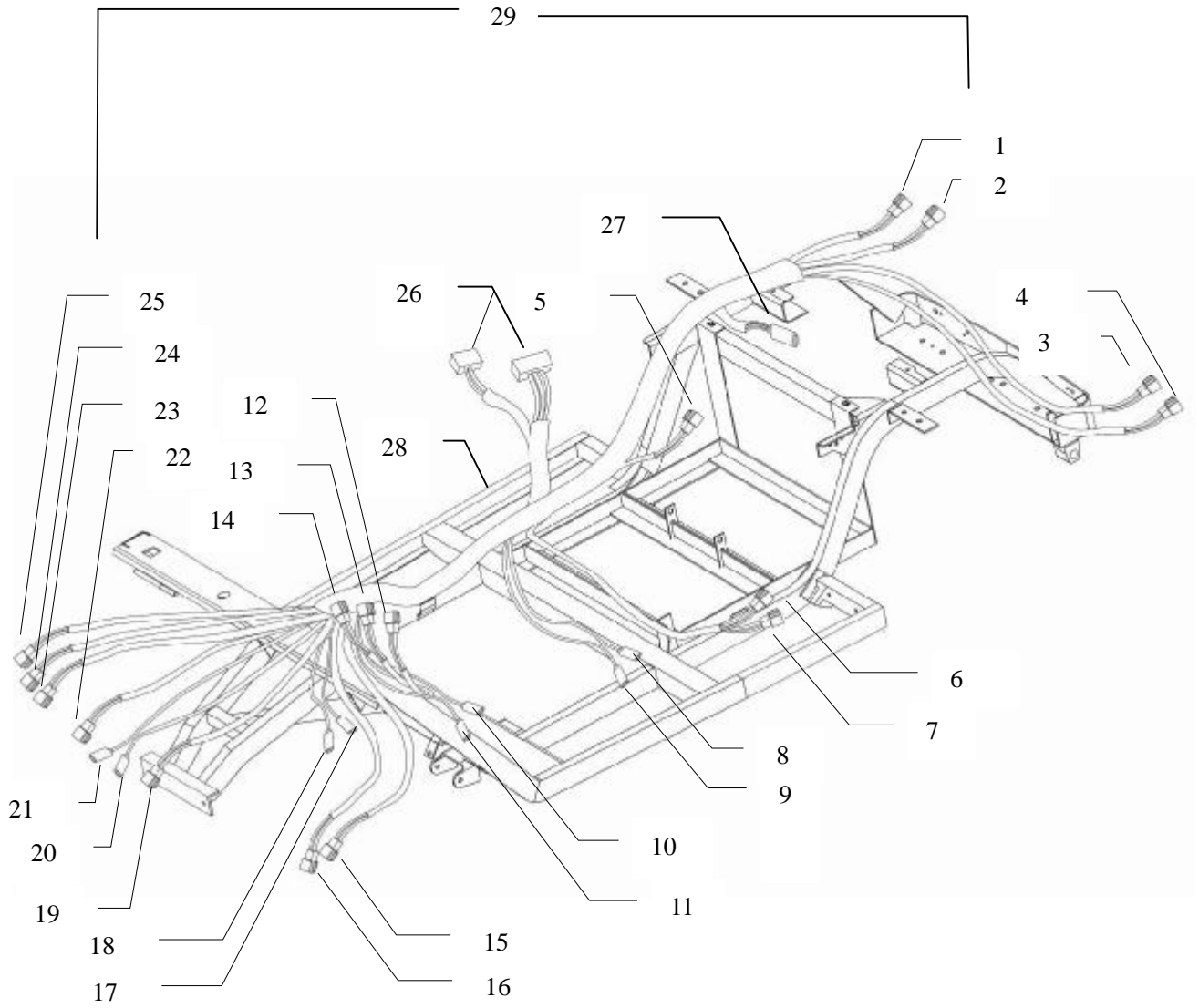
8X6V Battery Setup (8X6V 电池配置)



8X6V Battery Setup (8X6V 电池配置)

| Item | Part No | Description | 中文名称 | Qty | Remark |
|------|--------------|----------------------------|-------------|-----|------------------------|
| 1 | 1101100-002 | Battery (T-105) | 蓄电池 (T-105) | 8 | 6V×8 |
| 2 | 3313010-002 | Connect wire | 连接线 | 4 | 25 ² ×180mm |
| 3 | 3313010-003 | Connect wire | 连接线 | 1 | 25 ² ×200mm |
| 4 | 3313010-005 | Connect wire | 连接线 | 1 | 25 ² ×300mm |
| 5 | 3313010-016 | Connect wire | 连接线 | 1 | 25 ² ×380mm |
| 6 | 3049120-001 | Charger harness assembly | 充电插座总成 | 1 | |
| 7 | 3049120-019 | Charger receptacle | 充电插座 | 1 | |
| 8 | 1101012-002 | Battery impact block | 蓄电池压块 | 2 | |
| 9 | 1101011-005 | Battery dead lever | 蓄电池固定杆 | 2 | |
| 10 | FB01009 | British system nut | 英制螺母 | 12 | 5/16-8 |
| 11 | Q40308-304 | Spring washer M8 | 弹垫 M8 | 12 | |
| 12 | 1101013-002 | Battery box | 电池盒 | 1 | |
| 13 | 1101012-003 | Battery impact block | 单电池压块 | 2 | |
| 14 | 1101014-002 | Battery dead lever | 电池护套 | 16 | |
| 15 | 1101011-004 | Battery dead lever | 单电池固定杆 | 4 | |
| 16 | 2024-3022002 | Press plate for receptacle | 充电插座压板 | 1 | |

10-1 Harness (电线束)

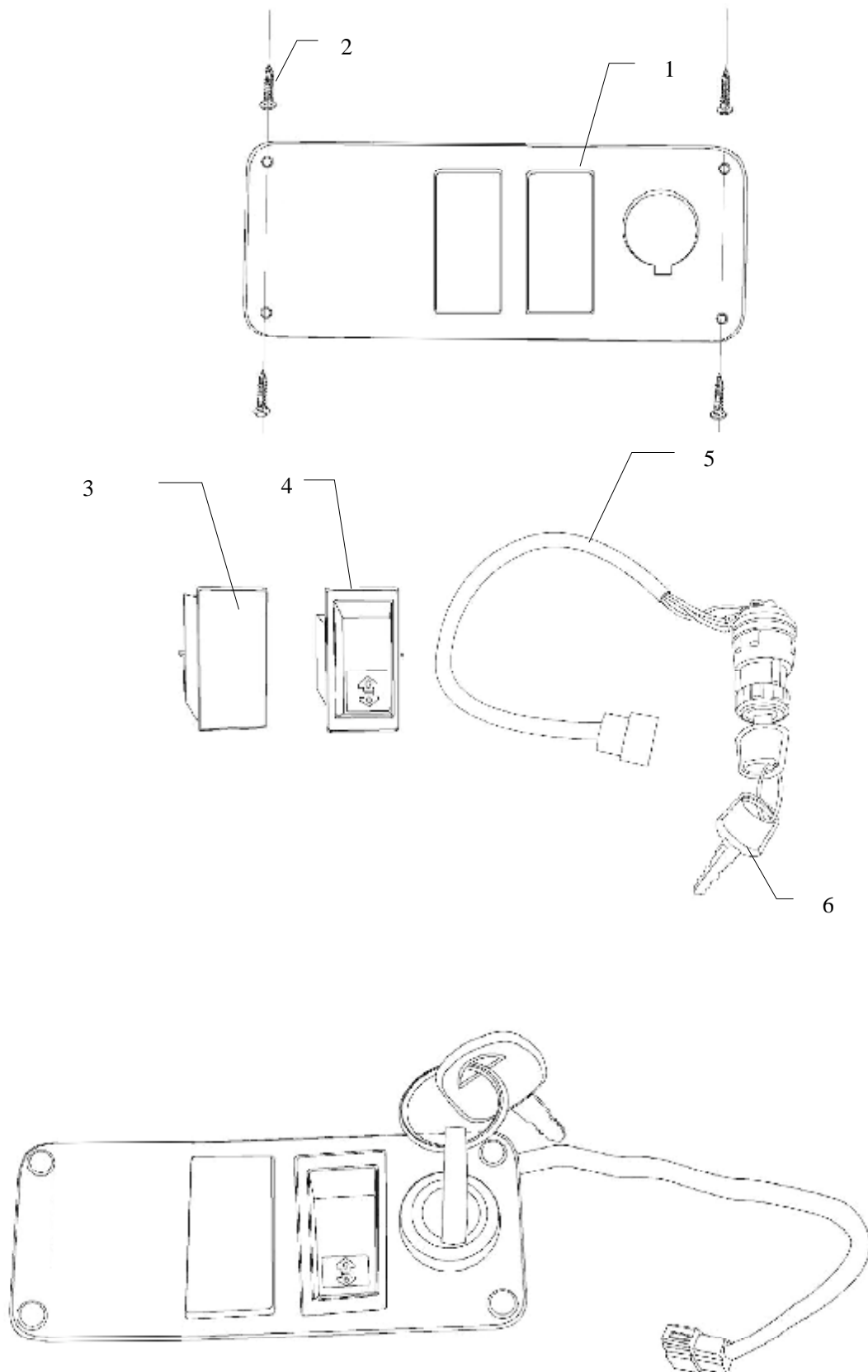


10-1 Harness (电线束)

| Item | Part No | Description | 中文名称 | Qty | Remark |
|------|---------|---|------------------|-----|------------|
| 1 | XS-0001 | Connectors to rear turn signal lamp, RH | 右后转向插接件 | 1 | 2 holes |
| 2 | XS-0002 | Connectors to rear brake lamp & tail lamp, RH | 右后刹车灯、大灯插接件 | 1 | 3 holes |
| 3 | XS-0003 | Connectors to rear turn signal lamp, LH | 左后转向灯插接件 | 1 | 2 holes |
| 4 | XS-0004 | Connectors to rear brake lamp & tail lamp, LH | 右后刹车灯、大灯插接件 | 1 | 3 holes |
| 5 | XS-0005 | Connectors to accelerator | 加速器接头 | 1 | waterproof |
| 6 | XS-0006 | Connectors to accessory contactor | 附件接触器连接件 | 1 | |
| 7 | XS-0007 | Connectors to DC converter | DC 连接插头 | 1 | |
| 8 | XS-0008 | Connectors to charge/break switch (1) | 充电/断电开关连接头 (1) | 1 | |
| 9 | XS-0009 | Connectors to charge/break switch (2) | 充电/断电开关连接头 (2) | 1 | |
| 10 | XS-0010 | Connectors to brake light switch (1) | 刹车灯开关连接头 (1) | 1 | |
| 11 | XS-0011 | Connectors to brake light switch (2) | 刹车灯开关连接头 (2) | 1 | |
| 12 | XS-0012 | Connectors to loud speaker switch | 喇叭开关插接件 | 1 | 2 holes |
| 13 | XS-0013 | Connectors to head lamp switch | 大灯开关连接插头 | 1 | 2 holes |
| 14 | XS-0014 | Connectors to turn switch | 转向开关连接头 | 1 | 3 holes |
| 15 | XS-0015 | Connectors to controller harness | 连接控制线束插头 | 1 | 4 holes |
| 16 | XS-0016 | Connectors to electric flasher | 电子闪光器插接件 | 1 | 4 holes |
| 17 | XS-0017 | Connectors to loud speaker (1) | 喇叭连接插头 (1) | 1 | |
| 18 | XS-0018 | Connectors to loud speaker (2) | 喇叭连接插头 (2) | 1 | |
| 19 | XS-0019 | Connectors to relay 48V (1) | 连接 48V 继电器插头 (1) | 1 | |
| 20 | XS-0020 | Connectors to relay 48V (2) | 连接 48V 继电器插头 (2) | 1 | |
| 21 | XS-0021 | Connectors to delay relay V12 | 连接 12V 延时继电器 | 1 | |
| 22 | XS-0022 | Connectors to front turn signal lamp, LH | 左前转向插接件 | 1 | 2 holes |

| | | | | | |
|----|-------------|--|----------|---|---------|
| 23 | XS-0023 | Connectors to front head lamp, LH | 左前照灯插接件 | 1 | 2 holes |
| 24 | XS-0024 | Connectors to front turn signal lamp, RH | 右前转向灯插接件 | 1 | 2 holes |
| 25 | XS-0025 | Connectors to front head lamp, RH | 右前照灯插接件 | 1 | 2 holes |
| 26 | XS-0026 | Connectors to controller | 控制器插接件 | | |
| 27 | XS-0027 | Connectors to speed sensor | 连接速度传感器 | | 3 holes |
| 28 | 5101000-023 | Frame assembly | 车架总成 | 1 | |
| 29 | 3308000-002 | Accessory wiring harness | 附件线束总成 | 1 | |

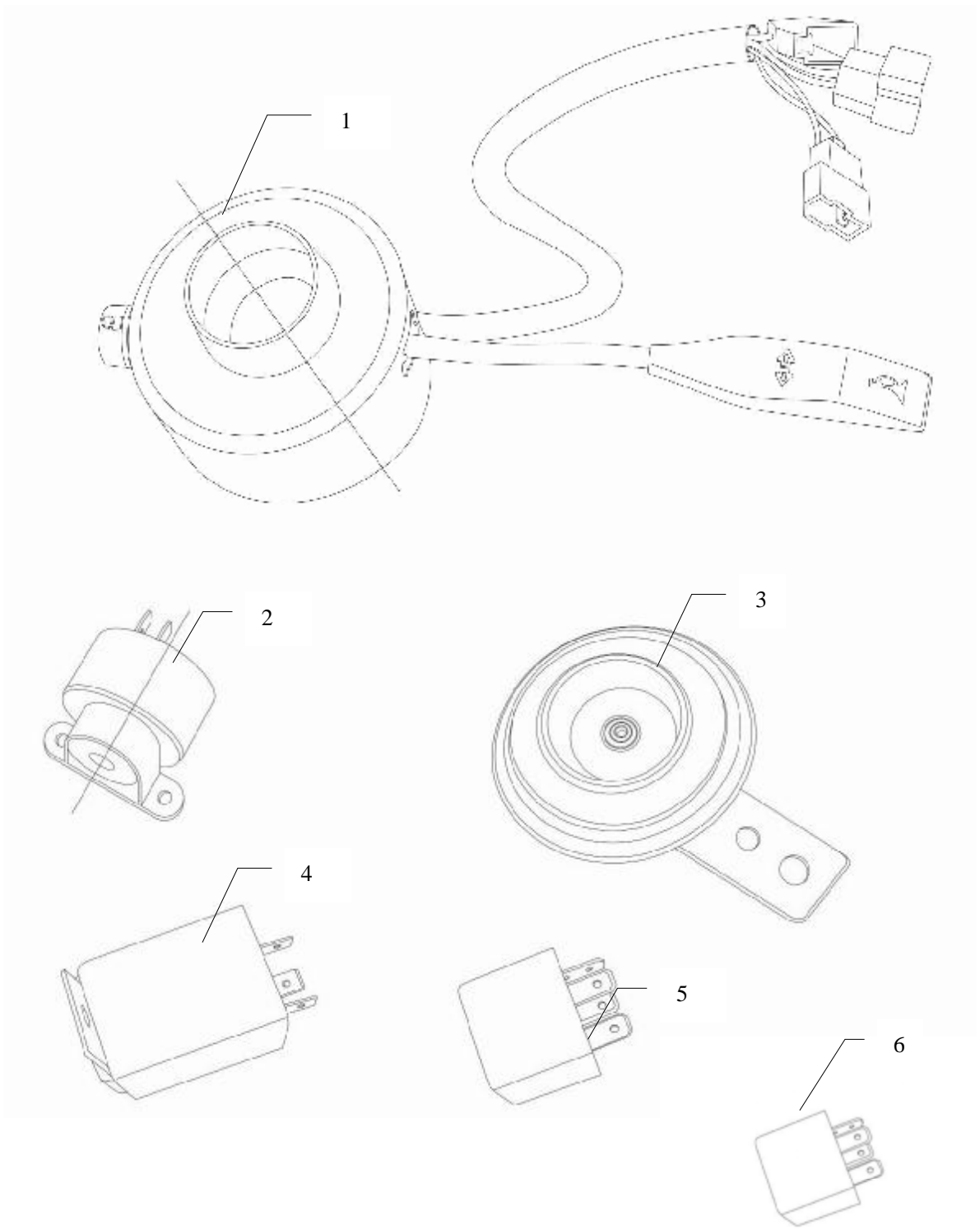
10-2 Instrument Panel, Start Key (仪表面板、启动开关)

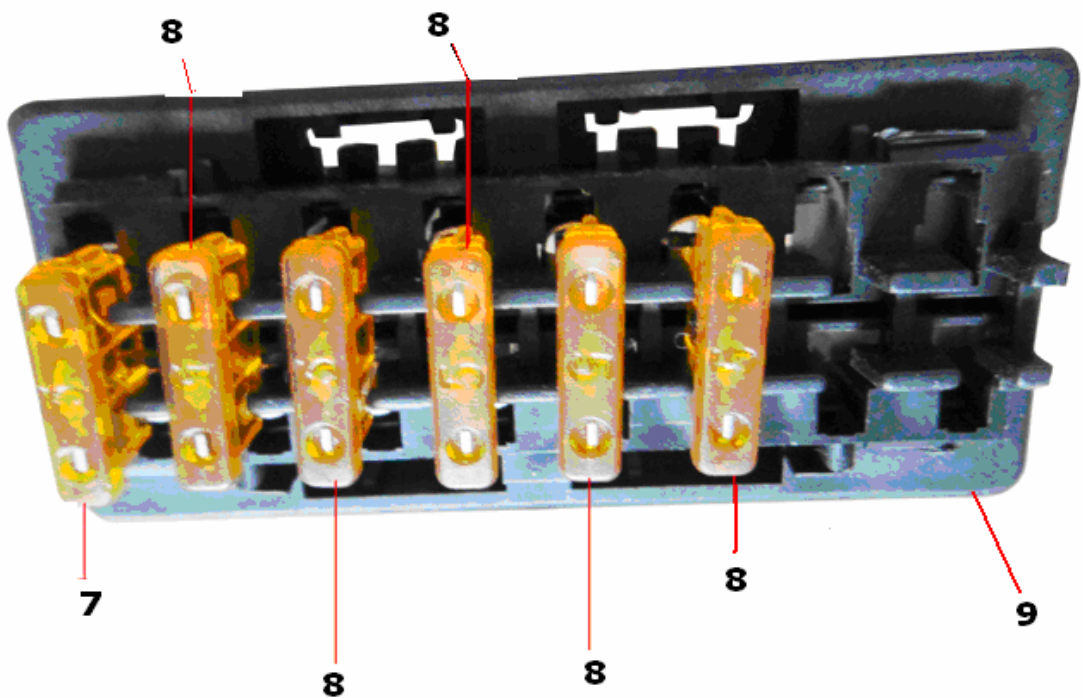


10-2 Instrument Panel, Start Key (仪表面板、启动开关)

| Item | Part No | Description | 中文名称 | Qty | Remark |
|------|---------------|--------------------------------------|----------------------------|-----|--------|
| 1 | 2026-3004014 | Panel (one round hole) | 仪表面板(单孔) | 1 | |
| | 3212051-002 | Panel (two round hole) | 仪表面板(双孔) | 1 | |
| 2 | Q2730416-304H | Self-tapping screw M4×16 | 黑镍十字槽大半圆 头自攻螺钉 M4×16 | 4 | |
| 3 | 3217010-001 | Battery power meter 36V | 36V 电量表 | 1 | |
| | 3217010-002 | Battery power meter 48V | 48V 电量表 | | |
| 4 | 3032010-001 | F/R switch | 进退开关 | 1 | |
| 5 | 3001010-002 | Start key (include item 6) | 两档点火锁 | 1 | |
| | 3001010-003 | Universal Start key (include item 6) | 两档通用点火锁 | 1 | |
| 6 | 6042-3001011 | Key | 钥匙 | 2 | |

10-3 Combination switch, Loud speaker, Backup buzzer, Electronic flasher, Auxiliary relay and Fuse box (组合开关、喇叭、倒车蜂鸣器、电子闪光器、辅助继电器和保险盒)

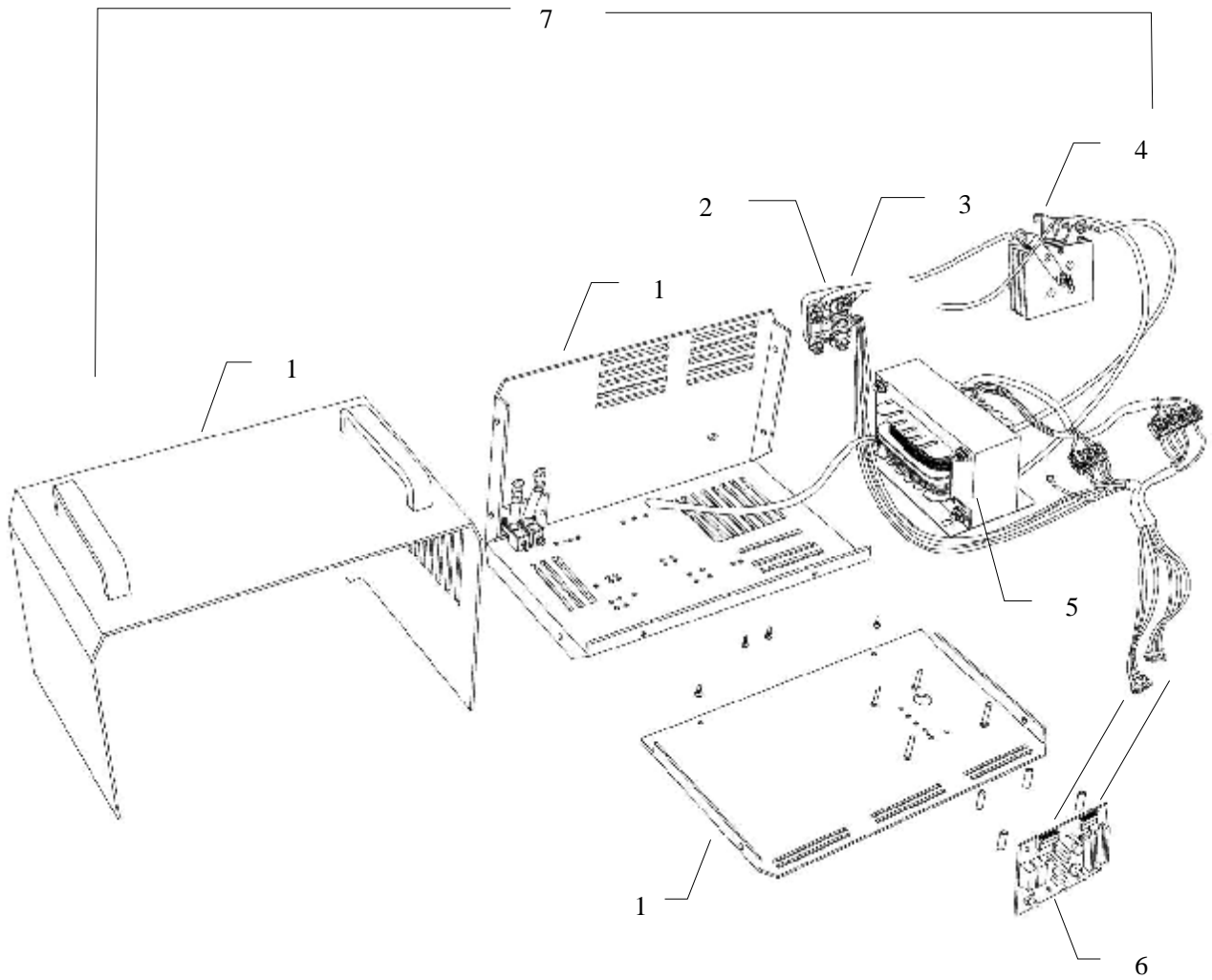




10-3 Combination switch, Loud speaker, Backup buzzer, Electronic flasher, Auxiliary relay and Fuse box (组合开关、喇叭、倒车蜂鸣器、电子闪光器、辅助继电器和保险盒)

| Item | Part No | Description | 中文名称 | Qty | Remark |
|------|---------------|--------------------|--------|-----|--------|
| 1 | 3024100-005 | Combination switch | 组合开关 | 1 | |
| 2 | 3211010-003 | Reverse buzzer | 倒车蜂鸣器 | 1 | |
| 3 | 3004010-001 | Electric horn | 电喇叭 | 1 | 12V |
| 4 | 3129010-002 | Electronic flasher | 电子闪光器 | 1 | |
| 5 | 3040010-001 | Auxiliary relay | 辅助继电器 | 1 | 36V |
| | 3040010-002 | Auxiliary relay | 辅助继电器 | 1 | 48V |
| 6 | 3040010-003 | Time-lapse relay | 延迟继电器 | 1 | |
| 7 | B-3A | 3A fuse | 3A 保险片 | 1 | 3A |
| 8 | B-5A | 5A fuse | 5A 保险片 | 5 | 5A |
| 9 | BX2081 | Fuse box | 保险盒 | 1 | |

10-4 Charger (充电器)



10-4 Charger (充电器)

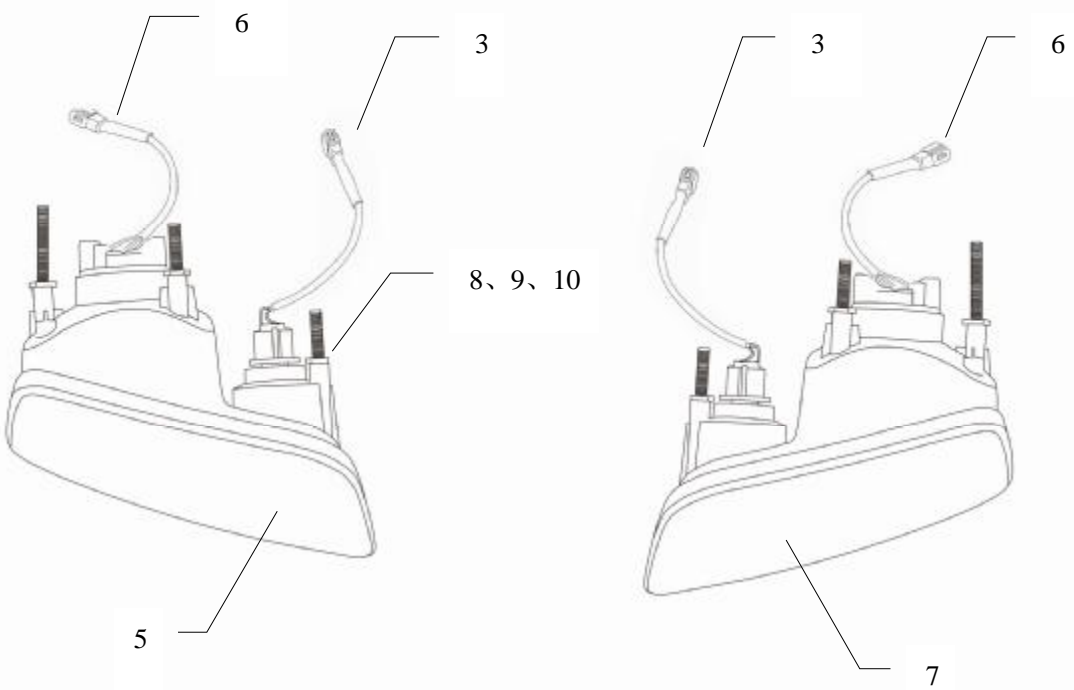
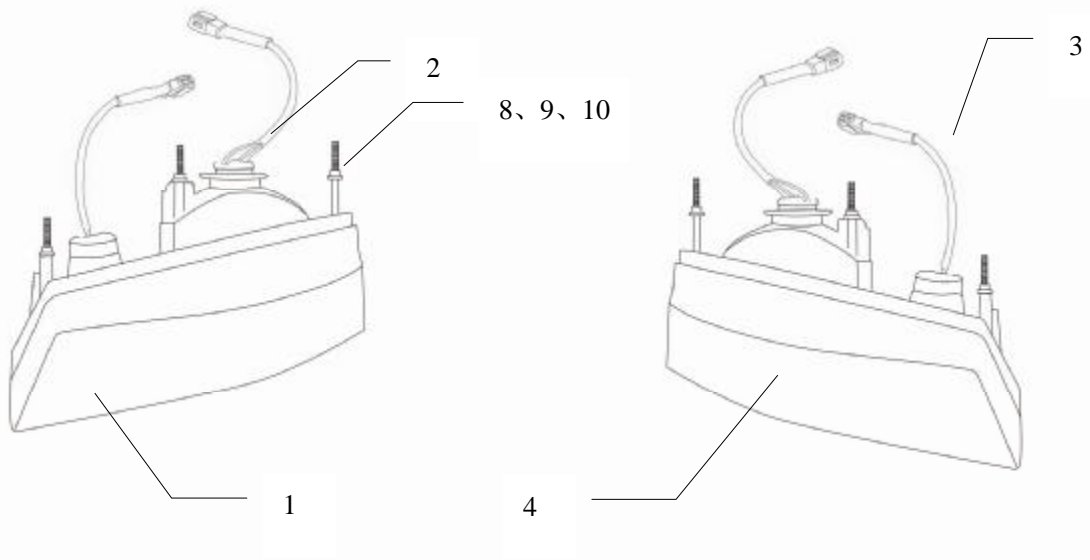
EG48V/25A Charger

| Item | Part No | Description | 中文名称 | Qty | Remark |
|------|------------------|--------------------------|-------|-----|--------|
| 1 | 603172 | Charger case | 充电器箱体 | 1 | |
| 2 | 70423 | Shunt | 采样电阻 | 1 | |
| 3 | 3606 | Output fuse | 输出保险 | 1 | |
| 4 | 7458 | Rectifier | 整流器 | 1 | |
| 5 | 663511 | Transformer | 变压器 | 1 | 48V25A |
| 6 | 1103150-003 | Circuit control board | 电路控制板 | 1 | |
| 7 | 1103100-005 | Charger 48V (110V input) | 充电机总成 | 1 | |
| | ST48V/25A-230V-A | Charger 48V (230V input) | 充电机总成 | 1 | |

EG36V/25A Charger

| Item | Part No | Description | 中文名称 | Qty | Remark |
|------|------------------|--------------------------|-------|-----|--------|
| 1 | 603172 | Charger case | 充电器箱体 | 1 | |
| 2 | 70423 | Shunt | 采样电阻 | 1 | |
| 3 | 3606 | Output fuse | 输出保险 | 1 | |
| 4 | 7458 | Rectifier | 整流器 | 1 | |
| 5 | 663511 | Transformer | 变压器 | 1 | 36V25A |
| 6 | 1103150-003 | Circuit control board | 电路控制板 | 1 | |
| 7 | 1103100-002 | Charger 36V (110V input) | 充电机总成 | 1 | |
| | ST36V/25A-230V-A | Charger 36V (230V input) | 充电机总成 | 1 | |

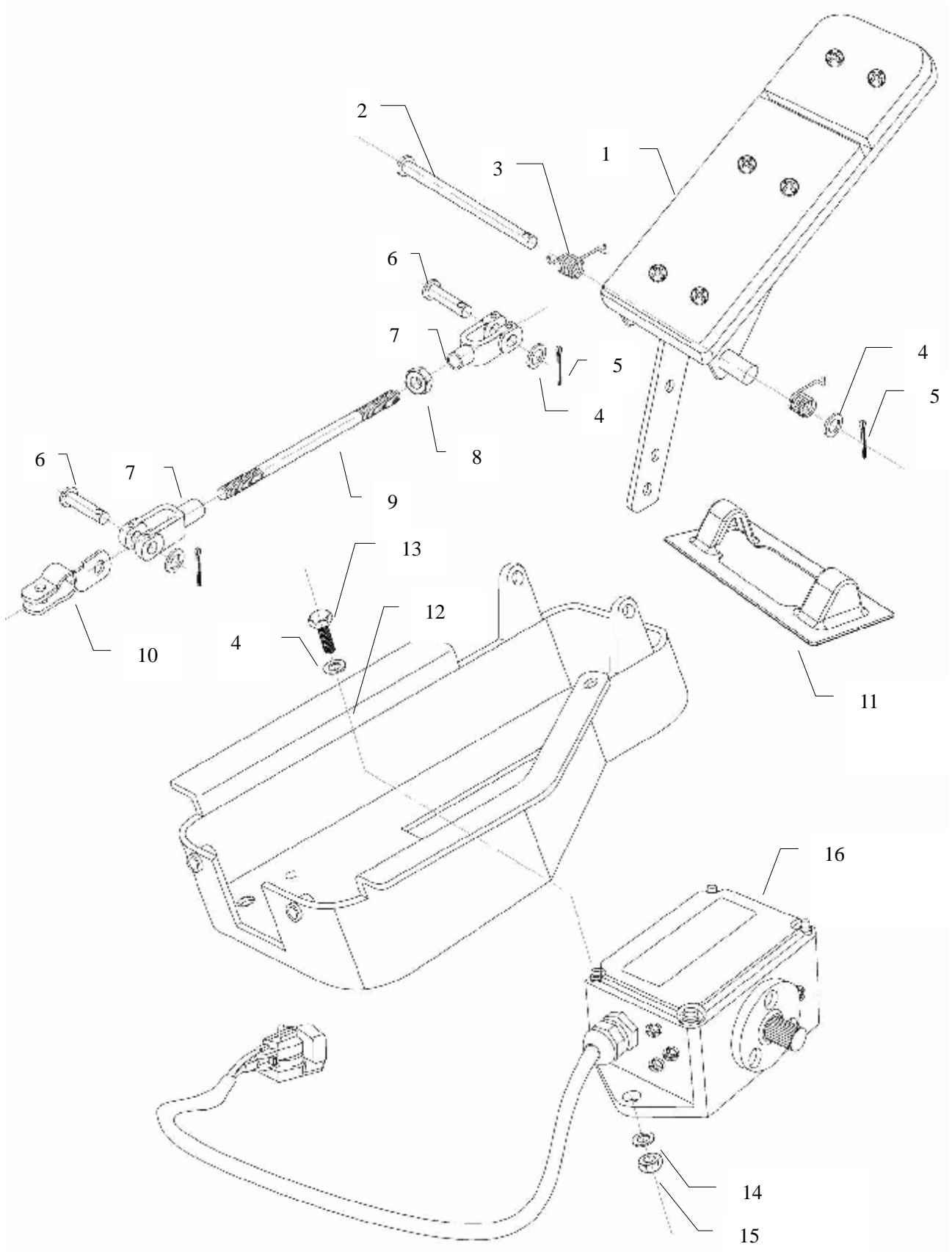
11 Lighting System (照明系统)



11 Lighting System (照明系统)

| Item | Part No | Description | 中文名称 | Qty | Remark |
|------|--------------|--------------------------|------------|-----|---------|
| 1 | 3117100-002 | Headlight, LH | 左前照灯 | 1 | Philips |
| 2 | 3117130-002 | Headlight bulb | 大灯灯泡 | 2 | Philips |
| 3 | 3126140-003 | Turn light bulb | 转向灯灯泡 | 4 | |
| 4 | 3117200-002 | Headlight, RH | 右前照灯 | 1 | Philips |
| 5 | 3126100-003 | Rear assembled light, LH | 左组合尾灯 | 1 | |
| 6 | 3126130-003 | Brake bulb | 制动灯灯泡 | 2 | |
| 7 | 3126200-003 | Rear assembled light, RH | 右组合尾灯 | 1 | |
| 8 | Q40105-304H | Washer ring M5 | 平垫圈 M5 | 12 | |
| 9 | Q40305-304H | Spring washer M5 | 弹垫 M5 | 12 | |
| 10 | Q340B05-304H | Hex head nut M5 | 1 型六角螺母 M5 | 12 | |

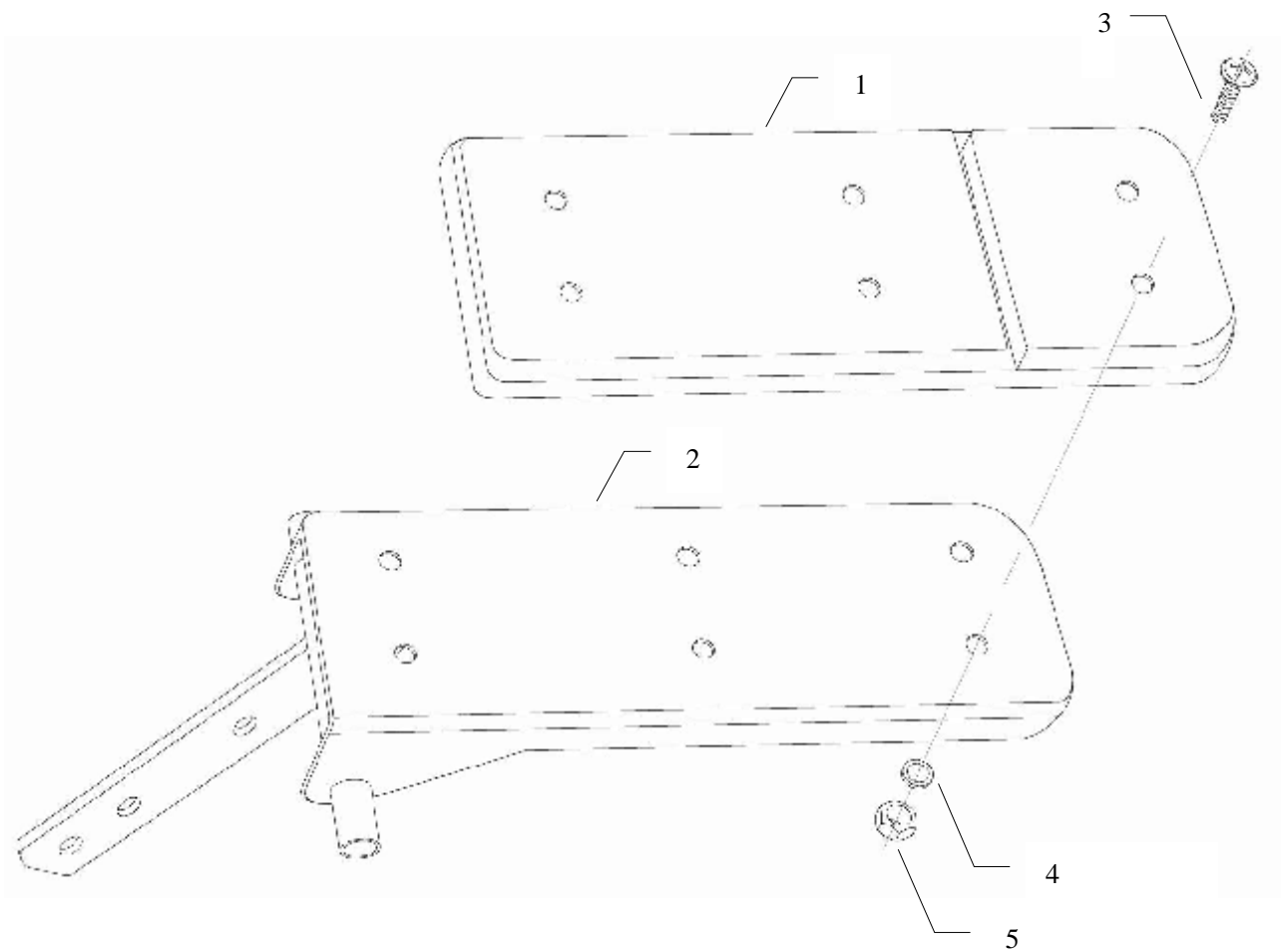
12-1 Accelerator Assembly (加速器总成)



12-1 Accelerator Assembly (加速器总成)

| Item | Part No | Description | 中文名称 | Qty | Remark |
|------|-------------|---------------------------------|--------------|-----|-------------|
| 1 | 1007021-004 | Accelerator Pedal Assembly | 加速器踏板总成 | 1 | |
| 2 | 1007028-004 | Pedal shaft peg M8×100 | 销钉 | 1 | |
| 3 | 2803127-036 | Torsion spring | 加速扭簧 | 2 | Eudipleural |
| 4 | Q40108 | washer M8 | 平垫 M8 | 5 | |
| 5 | Q5000225 | Split pin Φ2×25 | 开口销 Φ2×25 | 3 | |
| 6 | Q5100825 | Pin M8×25 | 销钉 M8×25 | 2 | |
| 7 | 1007026-004 | Front/rear fork | 前叉 | 2 | |
| 8 | Q305 | Nut M8 left-handed | 左旋螺母 M8 | 1 | |
| 9 | 1007027-004 | Putter | 推杆 | 1 | |
| 10 | 1007025-004 | Transmission fork | 拨叉 | 1 | |
| 11 | 1007023-004 | Decorative cover of pedal shaft | 加速器板盖--加速踏板盖 | 1 | |
| 12 | 5111020-023 | Accelerator box | 加速器盒 | 1 | |
| 13 | Q150B0820 | Hex head bolt M8×20 | 六角头螺栓 M8×20 | 2 | |
| 14 | Q40308 | Spring washer M8 | 弹垫 M8 | 2 | |
| 15 | Q340B08 | Hex head nut M8 | 1 型六角螺母 M8 | 2 | |
| 16 | 1007100-004 | Accelerator | 加速器 | 1 | |

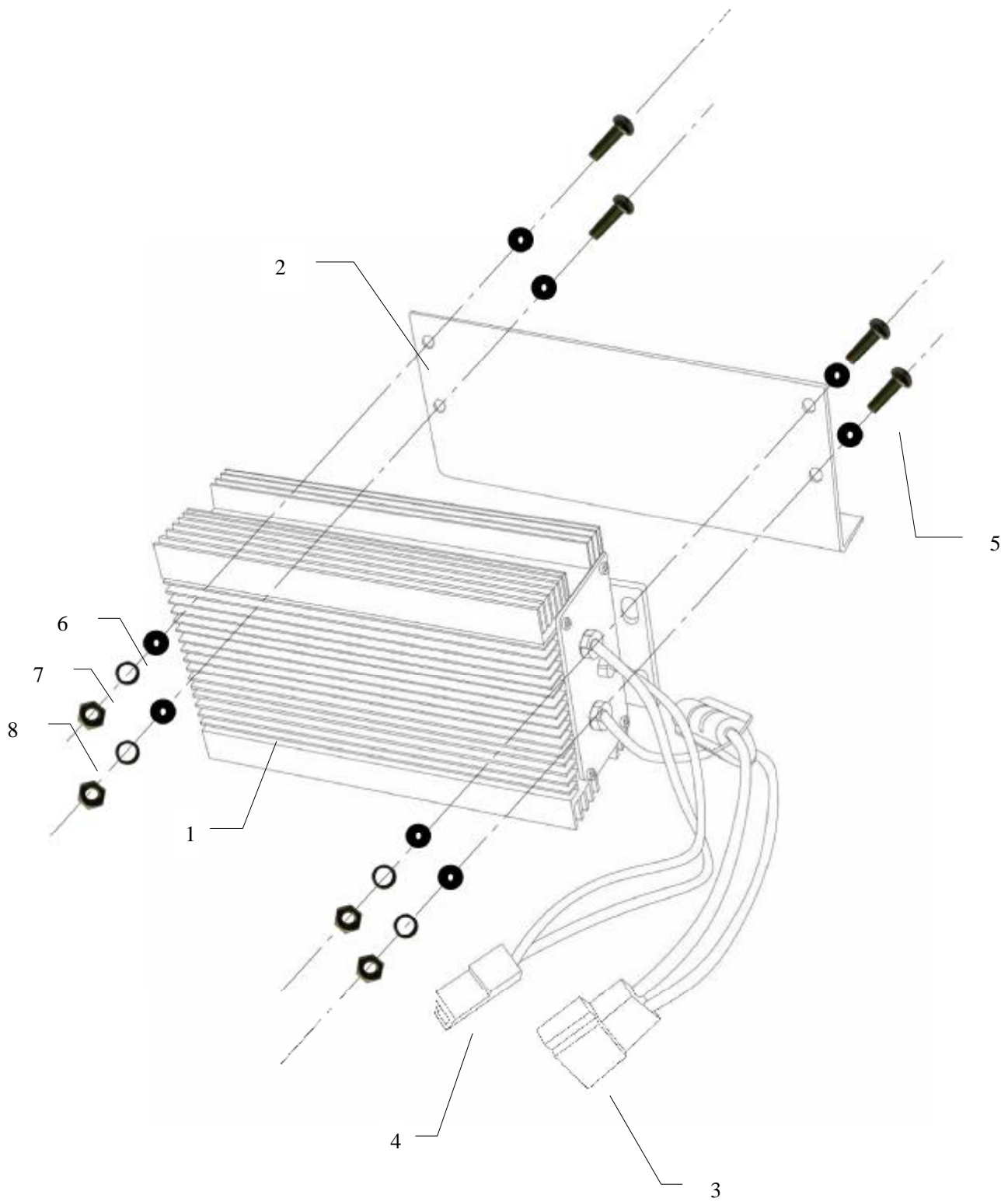
12-2 Accelerator Pedal Assembly (加速踏板总成)



12-2 Accelerator Pedal Assembly (加速踏板总成)

| Item | Part No | Description | 中文名称 | Qty | Remark |
|------|---------------|-----------------------------------|------------------|-----|--------|
| 1 | 1007022-004 | Pad of accelerator pedal | 加速器踏板软垫 | 1 | |
| 2 | 1007021-004 | Accelerator pedal | 加速器踏板总成 | 1 | |
| 3 | Q2140616-304H | Cross slot pan head bolt M6×16 | 十字槽盘头螺栓 M6×16 | 6 | |
| 4 | Q40306-304H | Spring washer M6 | 弹垫 M6 | 6 | |
| 5 | Q340B06-304H | Nut M6 | 螺母 M6 | 6 | |

12-3 DC converter (DC 转换器)



12-3 DC converter (DC 转换器)

| Item | Part No | Description | 中文名称 | Qty | Remark |
|------|----------------|-----------------------|-------------------|-----|--------|
| 1 | 3048100-002 | 36V/12V DC converter | 36V/12V DC 转换器 | 1 | |
| | 3048100-001 | 48V/12V DC converter | 48V/12V DC 转换器 | | |
| 2 | 3048021-001 | DC converter bracket | DC 转换器支架 | 1 | |
| 3 | | To out | 接输入 | 1 | |
| 4 | | To 12V in | 接 12V 输出 | 1 | |
| 5 | Q174B0410-304H | Cross slot bolt M4×10 | 六角头头部带十字槽螺栓 M4×10 | 4 | |
| 6 | Q40104-304H | Flat washer M4 | 平垫圈 M4 | 8 | |
| 7 | Q40304-304H | Spring washer M4 | 弹垫 M4 | 4 | |
| 8 | Q340B04-304H | Hex head nut M4 | 1 型六角螺母 M4 | 4 | |

Accessories (Option)

| Item | Part No | Description | 中文名称 | Qty | Remark |
|------|-------------|-------------------------|---------------|-----|--------|
| 1 | 9101100-001 | Cooler | 冰箱 | 1 | |
| 2 | 1103100-028 | On-body charger 36V | 车载充电器 36V | 1 | |
| | 1103100-032 | On-body charger 48V | 车载充电器 48V | 1 | |
| 3 | 3204100-001 | Timer | 小时计 | 1 | |
| 4 | 3212100-033 | Meter 48V | 速度仪表 | 1 | |
| 5 | 3005010-001 | 12V plug | 12V 附件插座 | 1 | |
| 6 | 9015110-036 | Enclosure for EG2028K | EG2028K 软封闭 | 1 | |
| 7 | 9015110-039 | Enclosure for EG2028H | EG2028H 软封闭 | 1 | |
| 8 | 9015110-037 | Enclosure for EG2028KSF | EG2028KSF 软封闭 | 1 | |
| 9 | 9015110-037 | Enclosure for EG2028KSZ | EG2028KSZ 软封闭 | | |
| 10 | 9015110-040 | Enclosure for EG2048K | EG2048K 软封闭 | 1 | |
| 11 | 9015110-043 | Enclosure for EG2048H | EG2048H 软封闭 | 1 | |
| 12 | 9015110-044 | Enclosure for EG2048HCX | EG2048HCX 软封闭 | 1 | |
| 13 | 9015110-041 | Enclosure for EG2048KSF | EG2048KSF 软封闭 | 1 | |
| 14 | 9015110-041 | Enclosure for EG2048KSZ | EG2048KSZ 软封闭 | 1 | |
| 15 | 9015110-045 | Enclosure for EG2068K | EG2068K 软封闭 | 1 | |